

DRAWING NO.
SD054222-01

RANGE OF CONDUCTORS ACCOMMODATED				
CAT. NO.	ALUMINUM CABLE, STEEL REINFORCED (A.C.S.R.)		GALVANIZED STEEL STRANDED	
	RUN "A"	TAP "AA"	RUN "A"	TAP "AA"
KVSU26	#3 (.281)-2/0 (.447)	#6 (.198)-2/0 (.447)	5/16-(.312)-7/16(.435)	3/16(.187)-7/16(.435)
KVSU28	1/0 (.398) - 4/0 (.563)	#6 (.198)-4/0 (.563)	3/8(.360)-1/2(.500)	5/32(.156)-1/2(.500)
KVSU31	4/0 A.C.S.R.(.563)-300 kcmil(.680)	#6 (.198)-300 kcmil(.680)	9/16(.565)-5/8(.621)	3/16(.186)-5/8(.621)
KVSU34	336.4 kcmil(.741)-397.5(.783)	#5 (.223)-397.5(.783)	3/4(.750)-3/4(.750)	7/32(.216)-3/4(.750)
KVSU40	336.4 kcmil(.741)-715.5(1.036)	3/0 (.502)-715.5 (1.036)	3/4(.750)-1(1.001)	1/2(.495)-1(1.001)
KVSU44	397.5 kcmil(.806)-900 kcmil(1.162)	4/0 (.563)-900 kcmil(1.162)	7/8(.885)-1 1/8(1.127)	1/2(.495)-1 1/8(1.127)

REV	DATE	DESCRIPTION	ECO	BY	C'H'K.
B	4/22/2010 12:00:00 AM	DRAWING UPDATED PER MARKUP	20431	MG	JG

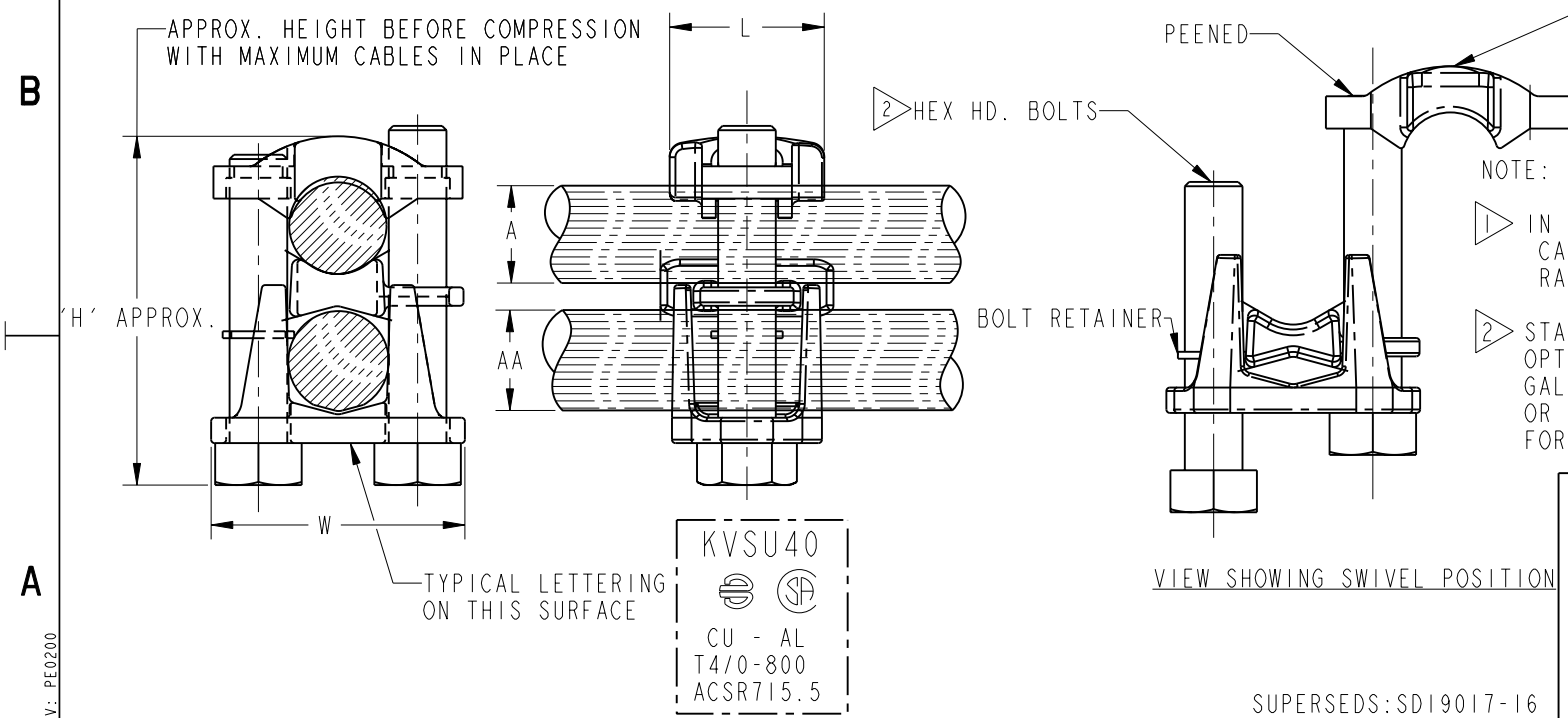
RANGE OF CONDUCTORS ACCOMMODATED				
CAT. NO.	COPPER & COPPERWELD SOLID		COPPER & ALUMINUM STRANDED	
	RUN "A"	TAP "AA"	RUN "A"	TAP "AA"
KVSU26	#1(.289)-3/0(.410)	#6 (.162) - 3/0 (.410)	#2 (.292) -2/0 (.419)	#6 (.184) - 2/0(.419)
KVSU28	2/0 (.365)-4/0 (.460)	#6 (.162) - 4/0 (.460)	1/0 (.373)-4/0 (.528)	#6 (.184)-4/0(.528)
KVSU31	-----	#6 (.162) - 4/0 (.460)	250 kcmil(.575)-350 kcmil(.681)	#6 (.184)-350 kcmil(.681)
KVSU34	-----	#4 (.204) - 4/0 (.460)	400 kcmil(.728)-500 kcmil(.813)	#4 (.232)-500 kcmil(.813)
KVSU40	-----	-----	400 kcmil(.728)-800 kcmil(1.031)	4/0 (.528)-800 kcmil(1.031)
KVSU44	-----	-----	500 kcmil(.813)-1000 kcmil(1.152)	4/0 (.528)-1000 kcmil(1.152)

CONDUCTOR RANGE			CAT. NO.	L	H (APPROX.)	J	W
MINIMUM RUN 'A'	MINIMUM TAP 'AA'	MAXIMUM RUN & TAP					
.281	.184 STR. .162 SOL.	.447	KVSU26	1.06	2.00	5/16-18	1.56
.360	.156 STR. .162 SOL.	.564	KVSU28	1.04	2.50	3/8-16	1.67
.563	.184 STR. .162 SOL.	.681	KVSU31	1.38	2.62	1/2-13	2.12
.728	.216 STR. .204 SOL.	.814	KVSU34	1.34	3.06	1/2-13	2.20
.728	.495 STR. -----	1.036	KVSU40	1.62	3.50	1/2-13	2.50
.806	.495 STR. -----	1.162	KVSU44	2.00	4.03	5/8-11	3.03

PENETROX™ INSTALLATION NOTE:
SCRATCH BRUSH ALUMINUM CONDUCTOR DRY, THEN APPLY 'PENETROX™ A' TO CONDUCTOR AND CONNECTOR CONTACT SURFACES. DO NOT SCRATCH BRUSH PLATED CONNECTOR. PENETROX 'A' CAN BE PURCHASED FROM BURNDY CORP. IN CANS OR PLASTIC SQUEEZE BOTTLES.

MATERIAL:
CAST COPPER ALLOY
FINISH:
TIN PLATED
ACCOMMODATES:
(SEE TABLE)

REFERENCE:
FACTORY DWG. FD53819



TYPICAL LETTERING ON THIS SURFACE:
CU-AL
R 400-800
ACSR715.5 MAX

- NOTE:
- 1 IN ADDITION TO TYPES OF CONDUCTORS SHOWN ABOVE, THESE CONNECTORS CAN ACCOMMODATE ANY COMBINATION OF CONDUCTORS WITHIN THE DIAMETER RANGE INDICATED.
 - 2 STANDARD BOLT MATERIAL IS DURIUM (SILICON BRONZE). OPTIONAL, SAME SIZE, 18-8 STAINLESS STEEL AND GALVANIZED STEEL BOLTS ARE ALSO AVAILABLE. SPECIFY-SS OR -GS, RESPECTIVELY, ON END OF CATALOG NUMBER FOR OPTIONAL BOLTS.

TO ORDER BURNDY® PRODUCTS CALL		SERVICE CONNECTOR	
UNITED STATES: 1-800-346-4175 (LONDONDERRY, NH)		ITEM NO: N/A	
CANADA: 1-800-361-6975 (QUEBEC) 1-800-387-6487 (ALL OTHER PROVINCES)		CAT. NO: KVSU-(GEN'L)	
FOR PRODUCT INFO: http://www.burndy.com		DRAWN BY: JAA 6-7-65	
		CHECKER: ERD 6-19-65	
		DSN APPVL: MS 12-9-63	
		MFG APPVL: --	
		QA APPVL: --	
		MKT APPVL: --	
		SCALE: 1:000	
		PROD FAM: --	
		PROJECT #: --	
		DOCUMENT TYPE: Sales	
		REL LEVEL: Released	
		DRAWING NO: SD054222-01	
		SHEET 1 OF 1	

REV: PE0200

SUPERSEDS: SD19017-16

