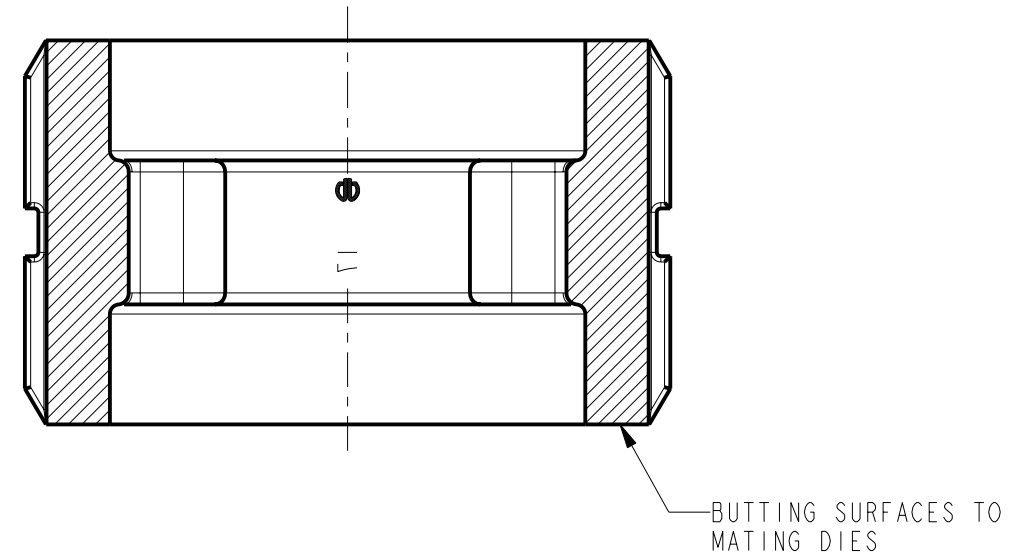
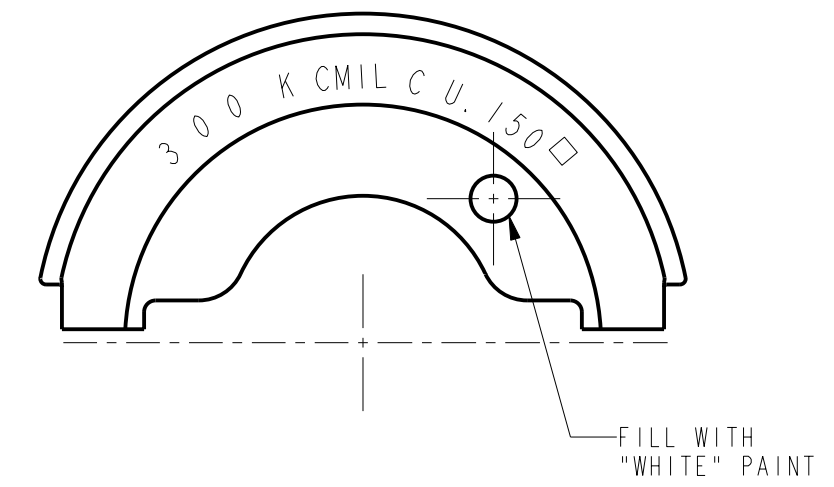
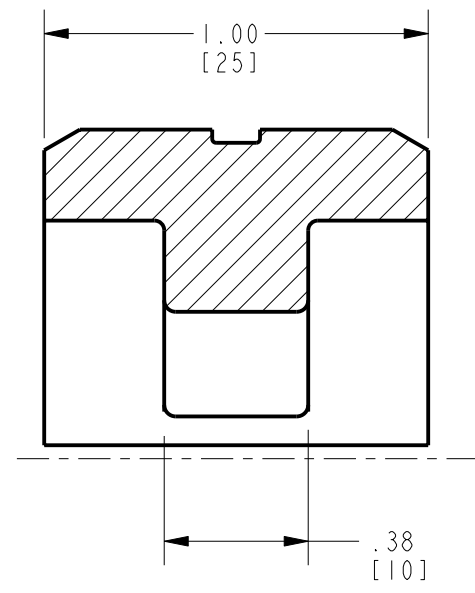
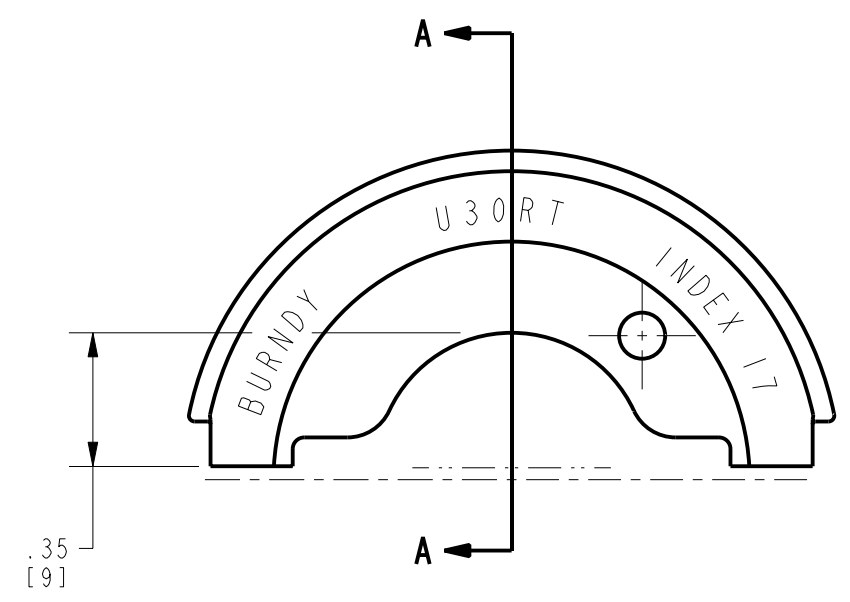


REV.	DATE	DESCRIPTION	ECO	BY	C'H'K.
A	6/16/2009 12:30:00 PM	NEW SALES DRAWING RELEASE	18372	1A	BSK



NOTES:

1. DIMENSIONS IN BRACKETS [] ARE IN MILLIMETERS ROUNDED OFF TO THE NEAREST MILLIMETER, UNLESS OTHERWISE SPECIFIED, AND ARE FOR REFERENCE ONLY.
2. DIE INSPECTION GAUGE CATALOG NUMBER (CUSTOMER & ENGINEERING USE ONLY): UPG17.
3. MATERIAL: STAINLESS STEEL.

TO ORDER BURNDY® PRODUCTS CALL
 UNITED STATES:
 1-800-346-4175 (LONDONDERRY, NH)
 CANADA:
 1-800-361-6975 (QUEBEC)
 1-800-387-6487 (ALL OTHER PROVINCES)
 FOR PRODUCT INFO: <http://www.burndy.com>

CIRCULAR BUTTING TWIN DIE	
ITEM NO:	421670
CAT. NO:	U30RT
DRAWN BY:	I. ANBALAGAN 06/16/09
CHECKER:	--
DSN APPVL:	--
MFG APPVL:	--
QA APPVL:	--
MKT APPVL:	--
PROD FAM:	TOOLS-HYDRAULIC/U-DIES
PROJECT #:	--
DOCUMENT TYPE:	Sales
REL LEVEL:	Released
SCALE:	2:1
DRAWING NO	10102821
REV	A
SHEET 1 OF 1	

REV: PE0200