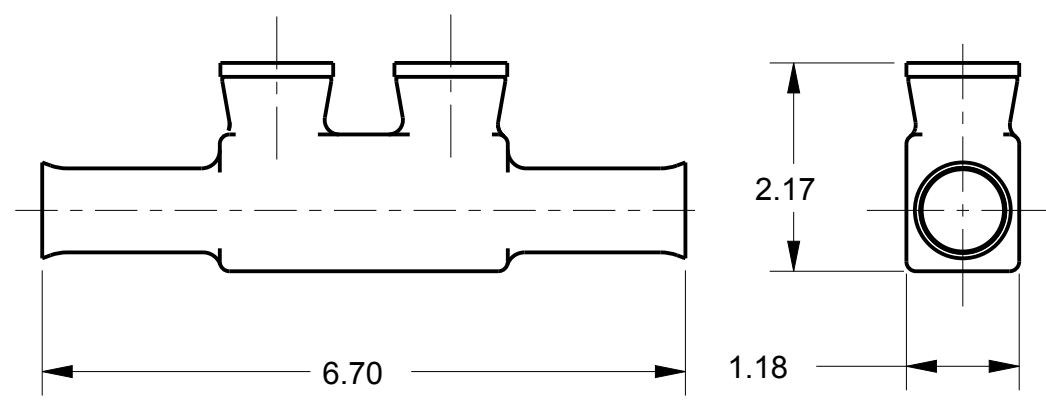
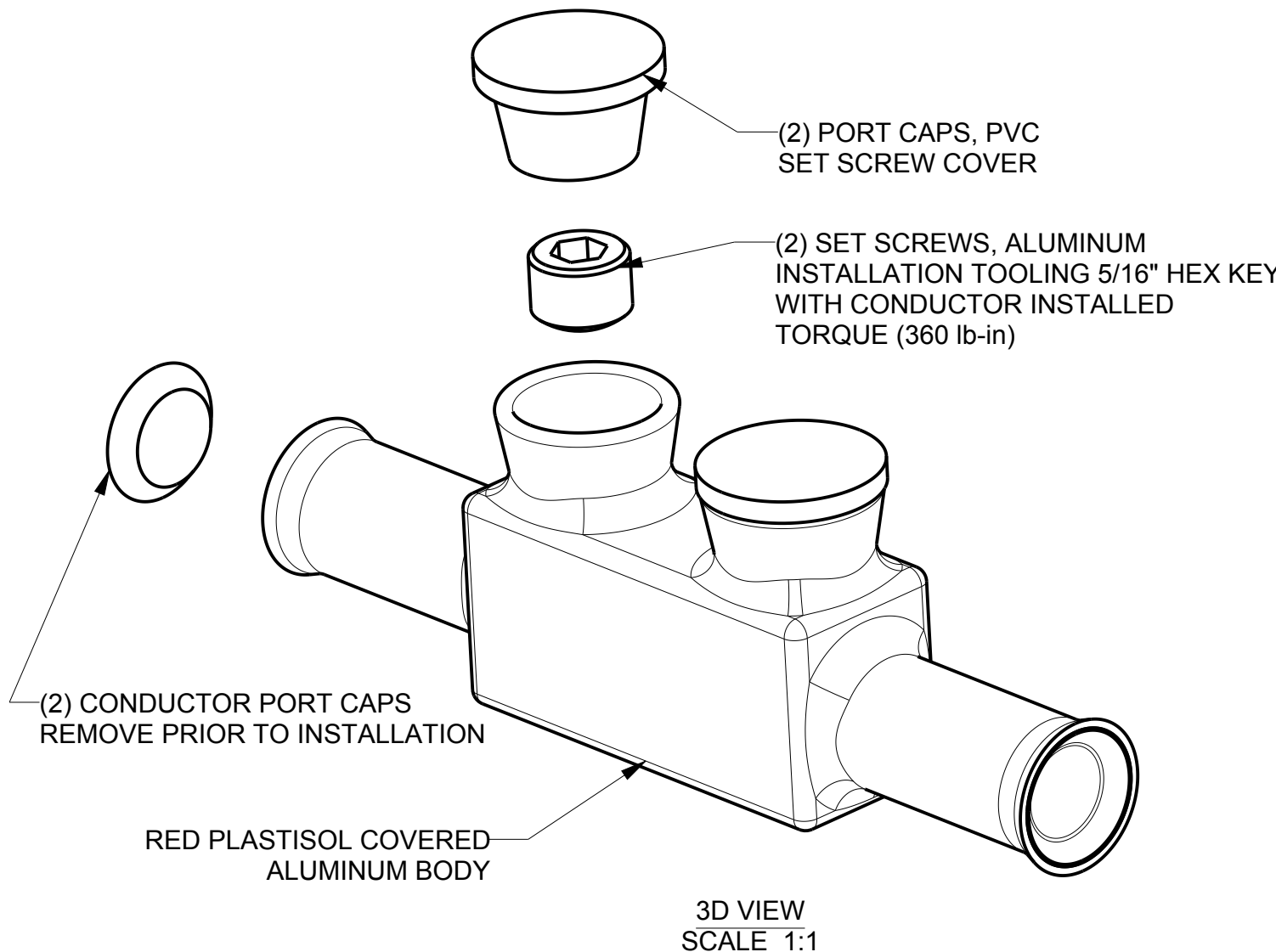


REV.	DATE	DESCRIPTION	ECO	BY	CHK.
D	08/06/2013 00:00:00 PM	LOGO CHANGE	32750	MVP	MB



- NOTES:
1. BURNDY[®] CONNECTOR BISR250-DB UL486D LISTED, DIRECT BURIAL. DUAL-RATED AL9CU FOR ANY STRANDED COPPER OR STRANDED ALUMINUM APPLICATIONS 600 VOLT MAX, 90° C.
 2. WIRE STRIP LENGTH 7/8"
 3. OXIDE INHIBITOR PRE-INSTALLED

ACCOMMODATES WIRE RANGE
4/0-250 kcmil

REV: PE0200

TO ORDER BURNDY [®] PRODUCTS CALL		SPLICER	
UNITED STATES: 1-800-346-4175 (LONDONDERRY, NH)		ITEM NO: 26003252	
CANADA: 1-800-361-6975 (QUEBEC) 1-800-387-6487 (ALL OTHER PROVINCES)		CAT. NO: BISR250DB	
FOR PRODUCT INFO: http://www.burndy.com		DRAWN BY: D.DOBROSKI 02/06/2003	
		CHECKER: C.CHADBOURNE 12/21/2004	
		DSN APPVL: C.CHADBOURNE 12/21/2004	
		MFG APPVL: N/A 01/01/2001	
		QA APPVL: J.BRODEUR 12/21/2004	
		MKT APPVL: A.ZWIT 12/21/2004	
		SCALE: 1:2	
		PROD FAM: -	
		PROJECT #: 8137 ECO	
		SIZE	
		DRAWING NO	
		REV	
		DOCUMENT TYPE: Sales	
		10008057	
		D	
		REL LEVEL: Released	
		B	
		SHEET 1 OF 1	