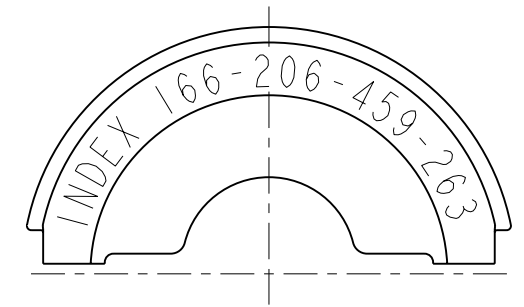
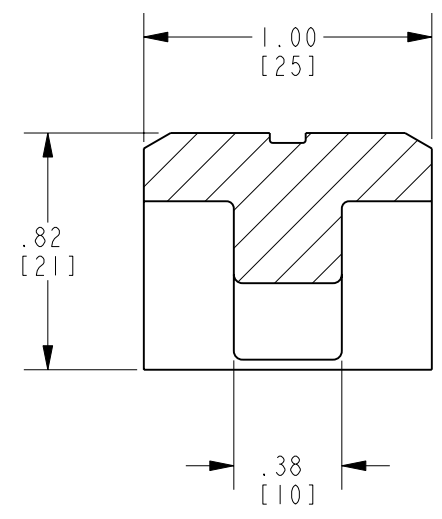
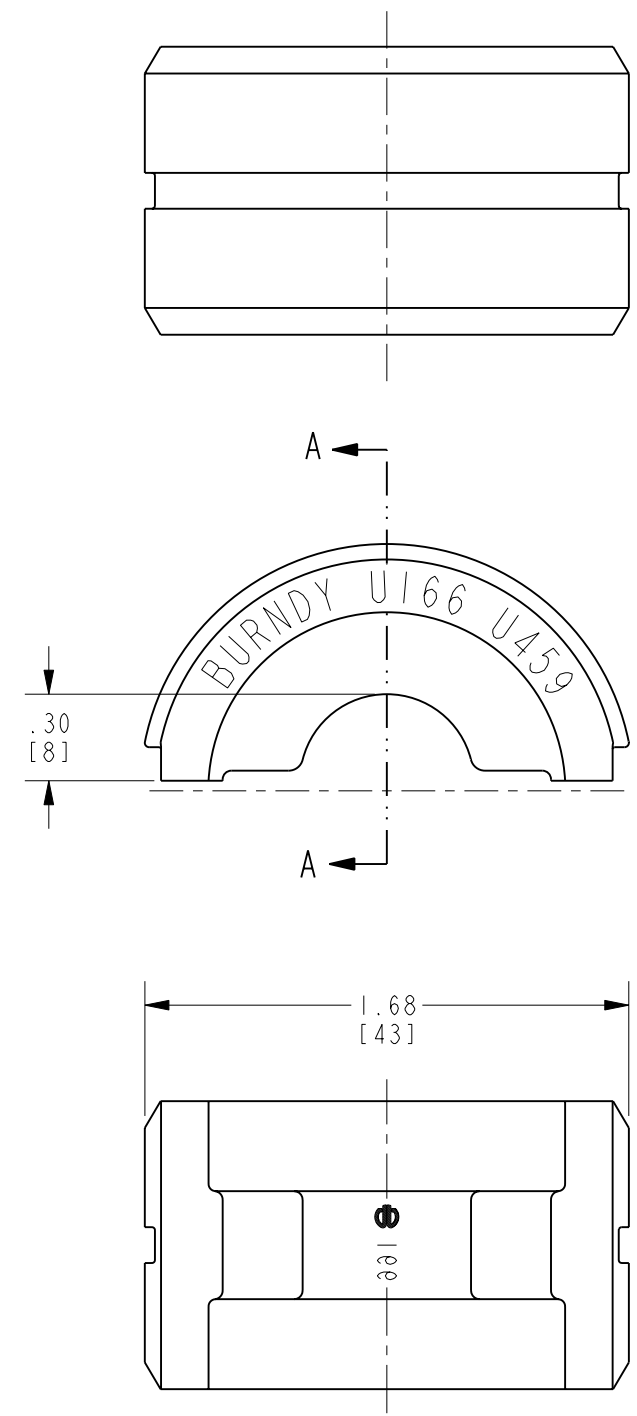


| REV. | DATE                  | DESCRIPTION            | ECO   | BY | C'H'K. |
|------|-----------------------|------------------------|-------|----|--------|
| A    | 7/16/2010 12:00:00 AM | SALES DRAWING RELEASED | 21540 | RM | JG     |



NOTES:

- DIMENSIONS IN [ ] BRACKETS ARE IN MILLIMETERS, ROUNDED OFF TO THE NEAREST MILLIMETER, UNLESS OTHERWISE NOTED. METRIC DIMENSIONS ARE FOR REFERENCE ONLY.
- DIE INSPECTION GAGE CATALOG NUMBER (CUSTOMER AND ENGINEERING USE ONLY): N/A
- MATERIAL: STAINLESS STEEL.

TO ORDER BURNDY® PRODUCTS CALL  
 UNITED STATES:  
 1-800-346-4175 (LONDONDERRY, NH)  
 CANADA:  
 1-800-361-6975 (QUEBEC)  
 1-800-387-6487 (ALL OTHER PROVINCES)  
 FOR PRODUCT INFO: <http://www.burndy.com>

| CIRCULAR BUTTING TWIN DIE |                       | SCALE: 1:1   |
|---------------------------|-----------------------|--------------|
| ITEM NO:                  | N/A                   |              |
| CAT. NO:                  | U166, U459            |              |
| DRAWN BY:                 | R. MURUGESAN          | 7/9/2010     |
| CHECKER:                  | --                    | --           |
| DSN APPVL:                | --                    | --           |
| MFG APPVL:                | --                    | --           |
| QA APPVL:                 | --                    | --           |
| MKT APPVL:                | --                    | --           |
| PROD FAM:                 | TOOLS_HYDRAULIC/U_DIE | DRAWING NO   |
| PROJECT #:                | --                    | 30003046     |
| DOCUMENT TYPE:            | Sales                 | REV          |
| REL LEVEL:                | Released              | A            |
|                           | SIZE                  | SHEET 1 OF 1 |

REV: PE0200