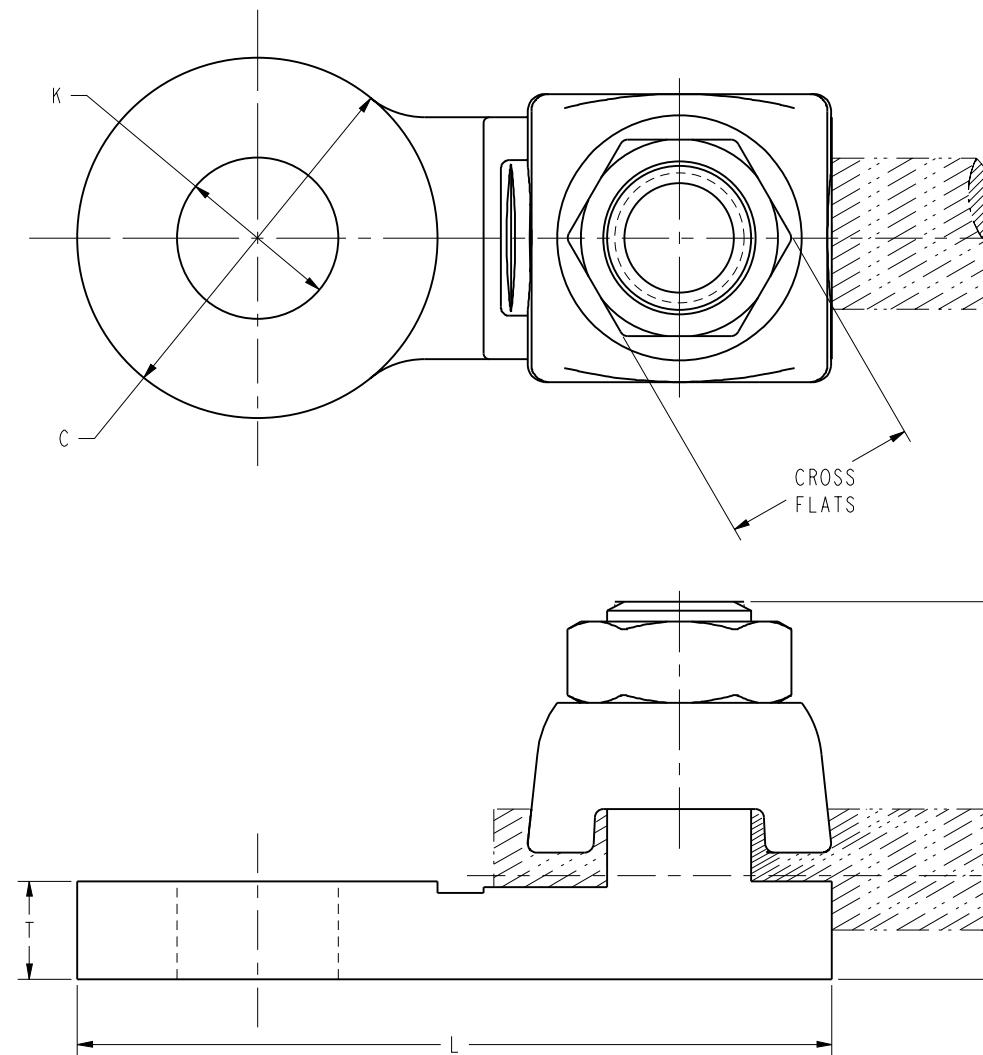


REV	DATE	DESCRIPTION	ECO	BY	C'H'K.
C	12/06/2012 00:00:00 AM	REV. 1 QUALITY CONTROL, REV. 2 QUALITY CONTROL, REV. 3 QUALITY CONTROL	28032	AT	MB

COPPER NAVY CABLE		CATALOG NO.	C	CROSS FLATS	H	K	L	T	STUD HOLE SIZE	COPPER COMMERCIAL CABLE	TORQUE (IN/LB)	
MIN.	MAX.											
N4	N14	QDA8C	1.00 [25]	.56 [14]	.69 [18]	.44 [11]	1.88 [48]	.19 [5]	3/8	14 SOL. - 8 STR.	75	
N23	N40	QDA4C	1.00 [25]	.56 [14]	.72 [18]	.44 [11]	1.88 [48]	.22 [6]		8 STR. - 4 STR.	110	
N50	N75	QDA1C	1.00 [25]	.56 [14]	1.00 [25]	.44 [11]	2.19 [56]	.22 [6]		4 STR. - 1 STR.	150	
N100	N125	QDA26	1.25 [32]	.69 [18]	1.19 [30]	.56 [14]	2.50 [64]	.25 [6]	1/2	1/0 STR. - 2/0 STR.	180	
N150	N200	QDA28	1.25 [32]	.69 [18]	1.31 [33]	.56 [14]	2.62 [67]	.34 [9]		3/0 STR. - 4/0 STR.	250	
N250	N350	QDA31	1.50 [38]	.74 [19]	1.69 [43]	.69 [18]	3.00 [76]	.31 [8]	5/8	250 - 350 kcmil	325	
N400	N500	QDA34	1.88 [48]	.80 [20]	2.00 [51]	.81 [21]	3.63 [92]	.31 [8]		3/4	400 - 500 kcmil	375
N600	N800	QDA40	2.13 [54]	.94 [24]	2.31 [59]	1.13 [29]	4.19 [106]	.38 [10]		1.0	600 - 800 kcmil	500



NOTES:

1. MATERIAL: CAST COPPER ALLOY.
2. DIMENSIONS IN BRACKETS [] ARE IN MILLIMETERS ROUNDED OFF TO THE NEAREST MILLIMETER, UNLESS OTHERWISE SPECIFIED AND ARE FOR REFERENCE ONLY.

TO ORDER BURNDY® PRODUCTS CALL		Q1KLUG™	
UNITED STATES		ITEM NO:	N/A
1-800-346-4175 (LONDONDERRY, NH)		CAT. NO:	QDA (TABLE)
CANADA:		DRAWN BY:	JJL 12-30-52
1-800-361-6975 (QUEBEC)		CHECKER:	-- 12-31-52
1-800-387-6487 (ALL OTHER PROVINCES)		DSN APPVL:	--
FOR PRODUCT INFO: http://www.burndy.com		MFG APPVL:	--
		QA APPVL:	--
		MKT APPVL:	--
		PROD FAM:	--
		PROJECT #:	--
		DOCUMENT TYPE:	Sales
		REL LEVEL:	Released
		SCALE:	2:1
		DRAWING NO:	SC027677-01
		REV:	C
		SHEET:	1 OF 1

REV: PE0200