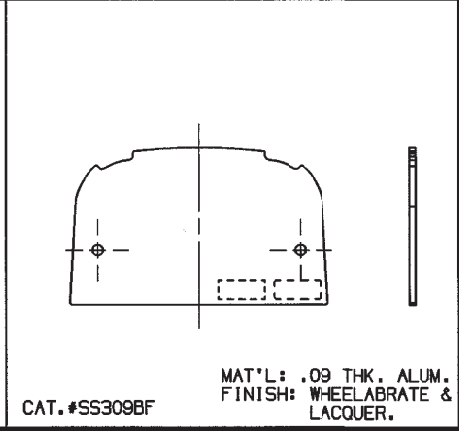
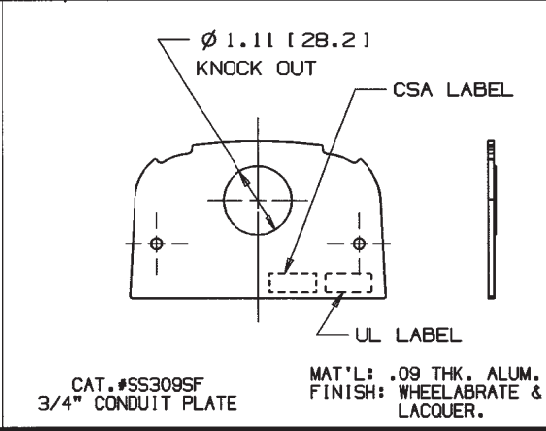
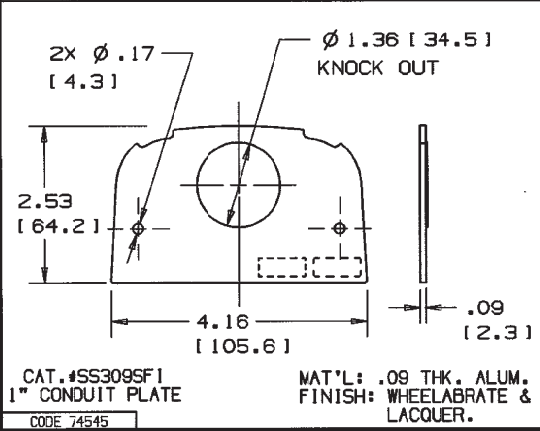
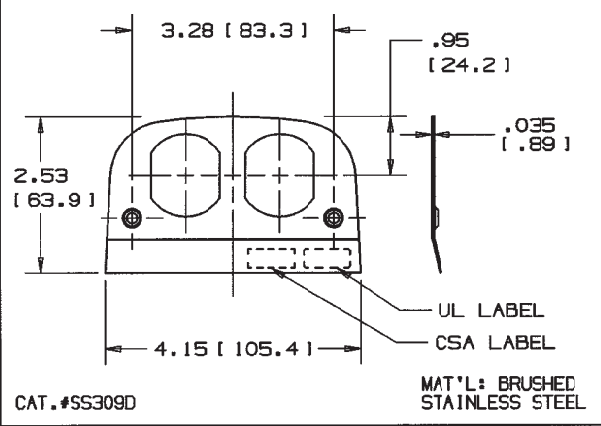
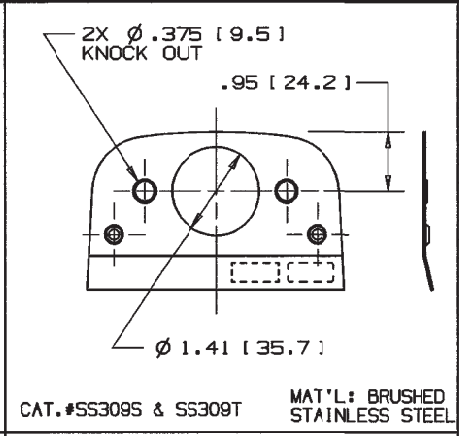
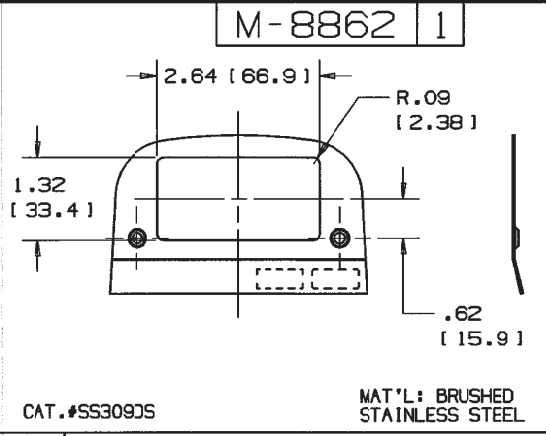
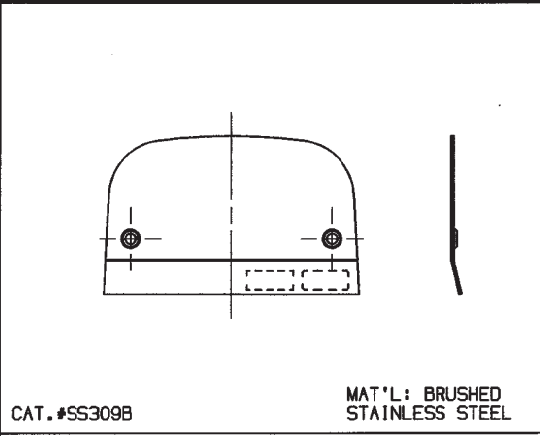


REPAIRABLE NON-REPAIRABLE

B

M-8862

1



LIST OF PARTS		
DESCRIPTION	MATERIAL	FINISH

1	INITIAL RELEASE #9516	SM	6-13-02
SYM	REVISIONS	APP	DATE

THE DESIGN AND DIMENSIONS OF THE PRODUCT SHOWN ON THIS DRAWING ARE SUBJECT TO CHANGE WITHOUT NOTICE

TITLE
CUSTOMER DRAWING
FOR SS309 SERIES

TOLERANCES UNLESS OTHERWISE SPECIFIED FRACTIONS ± 1/64 DECIMALS ± .005 ANGLES ± 2°	WIRING DEVICE-KELLEMS HUBBELL INCORPORATED BRIDGEPORT, CT DR. BY PAC APP. BY SM TR. BY SCALE HALF CH'K'D BY SM DATE 6-13-02
---	--