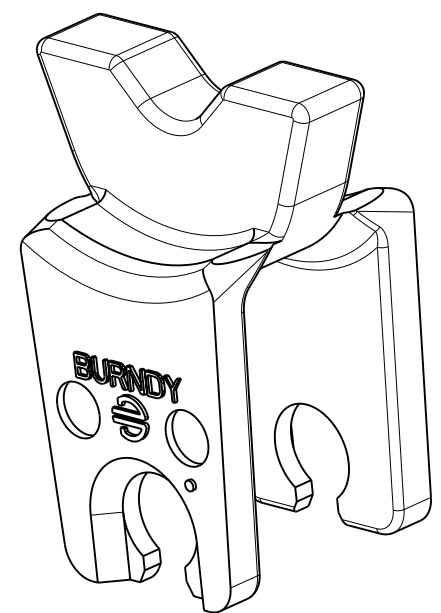
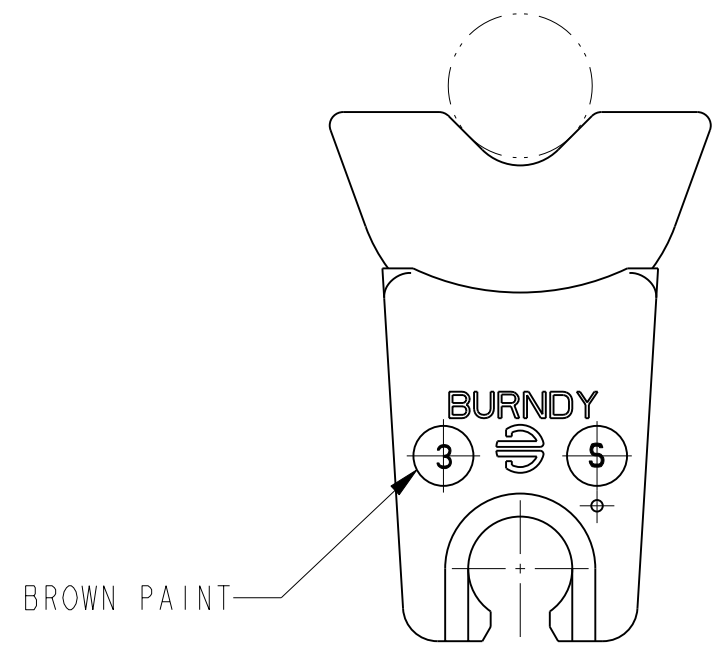
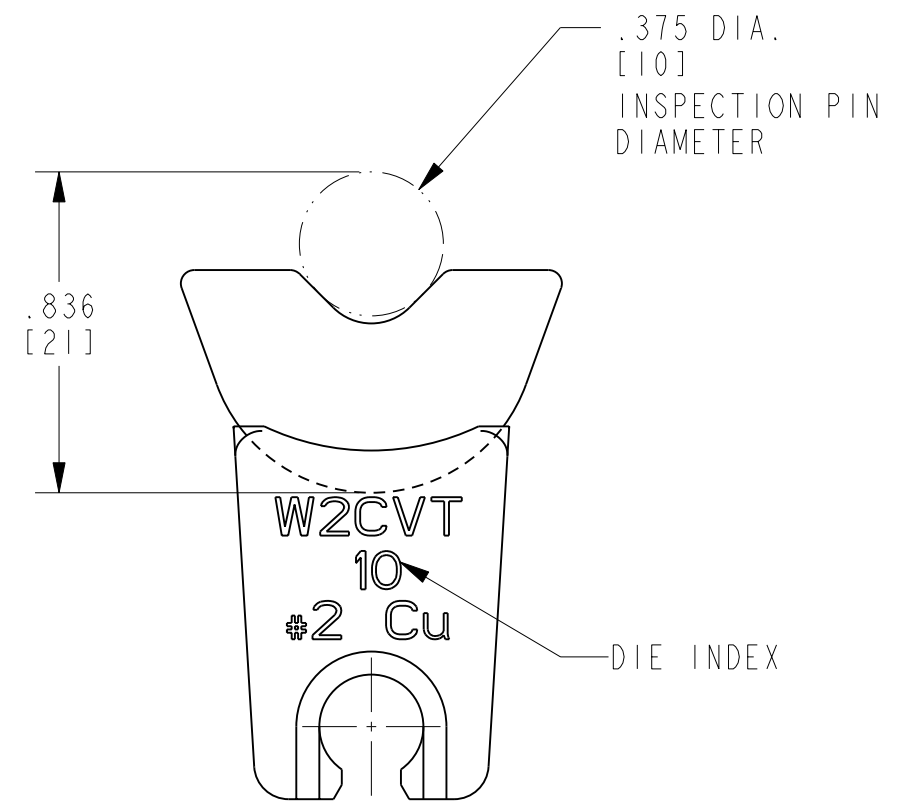
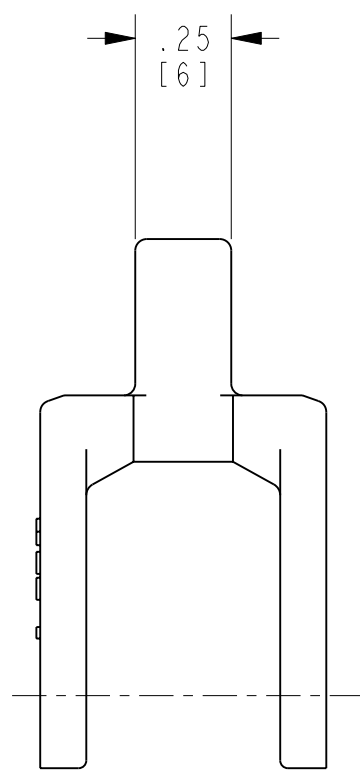
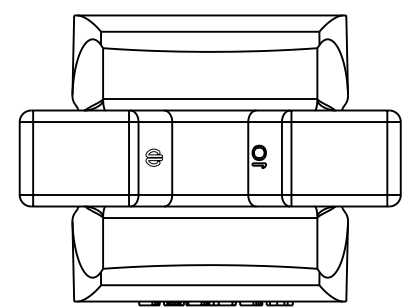


REV.	DATE	DESCRIPTION	ECO	BY	C'H'K.
B	03/17/2015 00:00:00 AM	UPDATED AS PER MARKUP	38811	MG	JG



NOTES:

1. DIMENSIONS IN BRACKETS [] ARE IN MILLIMETERS ROUNDED OFF TO THE NEAREST MILLIMETER, UNLESS OTHERWISE NOTED, AND ARE FOR REFERENCE ONLY.
2. MATERIAL: STAINLESS STEEL
3. CATALOG NUMBER CONSIST OF TWO DIE HALVES.

TO ORDER BURNDY® PRODUCTS CALL		W-DIES	
UNITED STATES:		ITEM NO: 464324	
1-800-346-4175 (LONDONDERRY, NH)		CAT. NO: W2CVT	
CANADA:		DRAWN BY: M. RAJASEKAR 06/04/09	
1-800-361-6975 (QUEBEC)		CHECKER: R RICK 06/11/09	
1-800-387-6487 (ALL OTHER PROVINCES)		DSN APPVL: A JOHN 06/11/09	
FOR PRODUCT INFO: http://www.burndy.com		MFG APPVL: H SHANE 06/16/09	
		QA APPVL: --	
		MKT APPVL: P ROBERT 06/11/09	
		PROD FAM: TOOLS_MECHANICAL	
		PROJECT #: --	
		DOCUMENT TYPE: Sales	
		REL LEVEL: Released	
		SCALE: 2:1	
		DRAWING NO	
		SIZE	
		10102368	
		SHEET 1 OF 1	
		REV	
		B	

REV: PE0200