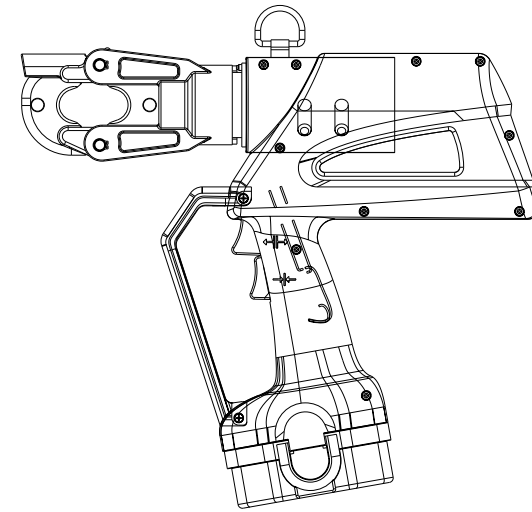


CATALOG NUMBER	DESCRIPTION	CHARGER VOLTS	CHARGER CATALOG NO.
PAT60018V	PAT600-18V	110	PATCHGRI8V
PAT60018V250V	PAT600-18V WITH 240/250V CHARGER	250	PATCHGR250V
PAT600C18V	PAT600-18V WITH COVERED HEAD	110	PATCHGRI8V
PAT60018VDC	PAT600-18V WITH DC CHARGER	12/24	BCT/PATDCCHGR

REV.	DATE	DESCRIPTION	ECO	BY	C'H'K.
A	09/28/2012 13:16:00 PM	NEW DRAWING RELEASE	28808	DD	MB



PATRIOT® PAT600-18V

SPECIFICATIONS:

OUTPUT FORCE: 6 TONS (5.4 METRIC TONS)
 TOOL WEIGHT: 10.9 LBS (4.9 kg)
 LENGTH: 14.5 IN (36.8 cm)
 WIDTH: 3.5 IN (8.9 cm)
 HEIGHT: 13.75 IN (34.9 cm)
 OPERATING VOLTAGE: 18V-DC
 CRIMP TIME: APPROX. 3 SECONDS
 RECHARGE TIME: LESS THAN 45 MINUTES

FOR USE ON:

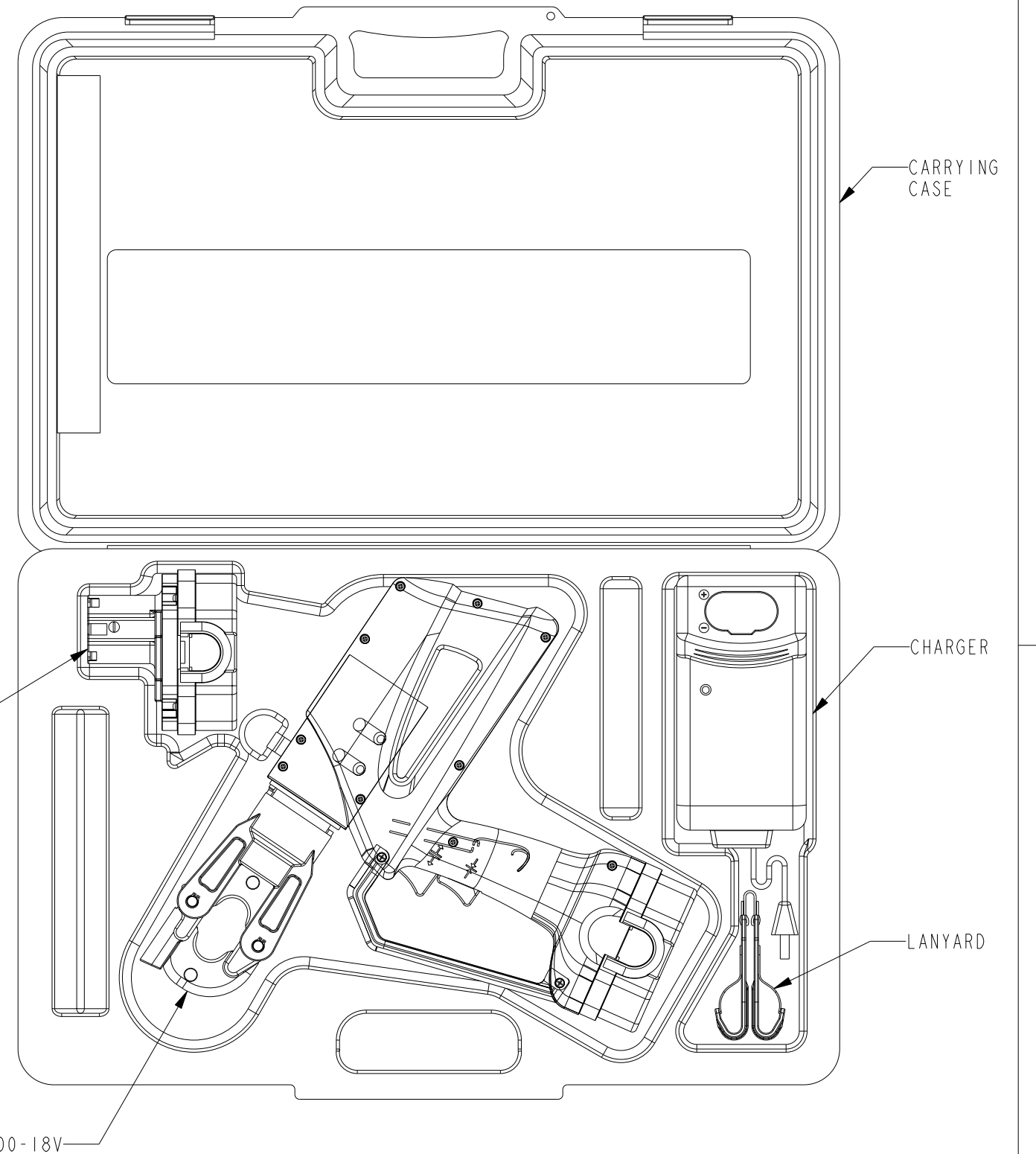
COPPER, ALUMINUM, ACSR, STEEL, COPPERWELD, ALUMOWELD, 6201, 5005, COMPRESSED, COMPACT, STRANDED & SOLID

INSTALLS SPLICES, TAPS OR TERMINATIONS:

#8 - 600 Kcmil COPPER STR. (YA, YA-L, YS, YS-L)
 #8 - 350 Kcmil FLEX.
 #8 - 350 Kcmil ALUMINUM (YA-A & YS-A)

FEATURES AND BENEFITS

- BATTERY POWERED CRIMP TECHNOLOGY. EASY TOOL OPERATION AND PORTABILITY.
- ADVANCE DESIGN HIGH SPEED PUMP COMPLETES CRIMP IN APPROXIMATELY 3 SECONDS. LONGER LIFE, EFFICIENCY AND RELIABILITY.
- ERGONOMIC DESIGN ALLOWS ONE HAND OPERATION FOR RAM ADVANCE AND RAM RETRACTION. USER ALWAYS HAS ONE HAND FREE TO MANIPULATE CONNECTOR AND CONDUCTOR.
- VARIABLE SPEED TRIGGER. PROVIDES FLEXIBILITY IN SPEED OF RAM ADVANCE.
- RAM HOLDS POSITION WHEN TRIGGER IS RELEASED. PROVIDES ABILITY TO HOLD THE CONNECTOR BETWEEN DIES AND CHECK FOR PROPER ALIGNMENT PRIOR TO CRIMPING ACTION.
- MECHANICAL RAM RELEASE. RELIABLE RAM RELEASE (NO BATTERY POWER CONSUMPTION).
- SPECIALIZED LATCH HEAD DESIGN. PROVIDES ENHANCED CLEARANCE ON TAP CONNECTORS WHEN COMPARED WITH COMPETITIVE DESIGNS.
- 180 DEGREE HEAD ROTATION. VERSATILE TOOL HEAD POSITIONING LETS USER GET INTO TIGHT AREAS EASIER.
- USES 18 VOLT NI-MH BATTERIES. ELIMINATES VOLTAGE DEPRESSION OR "MEMORY".
- AUDIBLE PRESSURE "POP-OFF" VALVE. INDICATES PROPERLY COMPLETED CRIMP.
- PERMANENT D3 CRIMP GROOVE ACCEPTS ALL "W-DIES". USES STANDARD DIE DESIGN WITH PROVEN PERFORMANCE.
- PAT600C-18V WITH COVERED HEAD IS AVAILABLE. COVERED HEAD FOR IMPACT PROTECTION.
- DURABLE HIGH IMPACT FORMED CARRYING CASE. PROVIDES TOOL PROTECTION AND STORES ALL ACCESSORIES.
- 5-YEAR LIMITED WARRANTY ON TOOL, 1-YEAR ON BATTERIES AND CHARGER. CUSTOMER SATISFACTION AND SUPPORT.



PATRIOT® PAT600-18V

TO ORDER BURNDY® PRODUCTS CALL
 UNITED STATES:
 1-800-346-4175 (LONDONDERRY, NH)
 CANADA:
 1-800-361-6975 (QUEBEC)
 1-800-387-6487 (ALL OTHER PROVINCES)
 FOR PRODUCT INFO: <http://www.burndy.com>

PATRIOT® PAT600-18V BATTERY ACTUATED TOOL			
ITEM NO: N/A			
CAT. NO: SEE TABLE			
DRAWN BY: D DHEENA	09/28/2012		
CHECKER: M. CHIASSON	10/31/2012		
DSN APPVL: M. CHIASSON	10/31/2012		
MFG APPVL: --	--		
QA APPVL: J BRODEUR	10/30/2012		
MKT APPVL: R. POIRIER	11/01/2012		
PROD FAM: TOOLS, BATTERY			
PROJECT #: --	SIZE	DRAWING NO	REV
DOCUMENT TYPE: Sales	B	50009490	A
REL LEVEL: Released		SHEET 1 OF 1	