

DRAWING NO.  
CSC32004-01

4

3

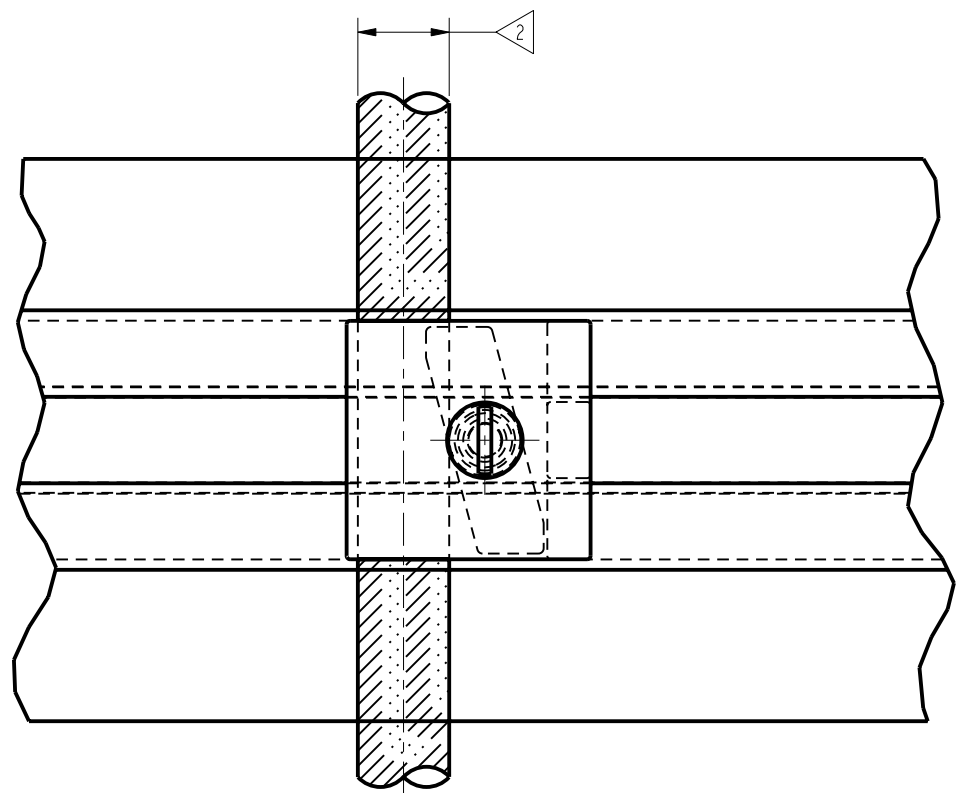
2

1

REV	DATE	DESCRIPTION	ECO	BY	C'H'K.
A	01/10/2011 00:00:00 AM	***DRP*** REDRAW IN PRO-E	26491	BD	MA

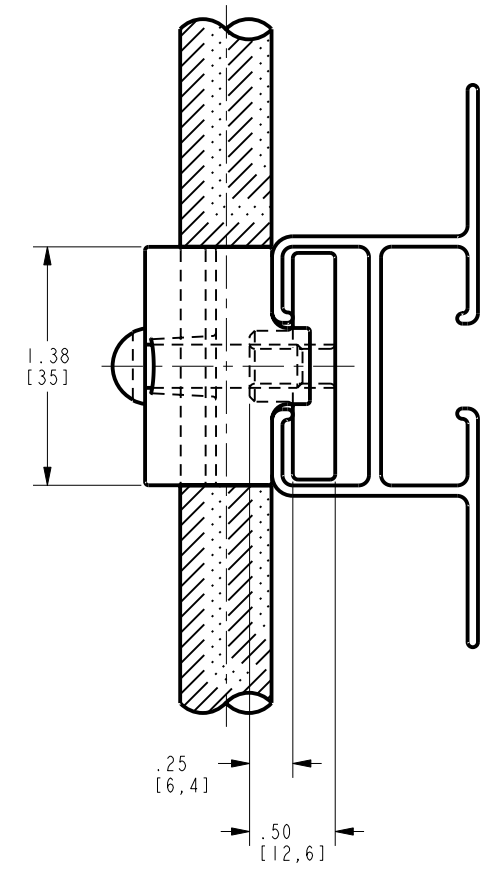
D

D



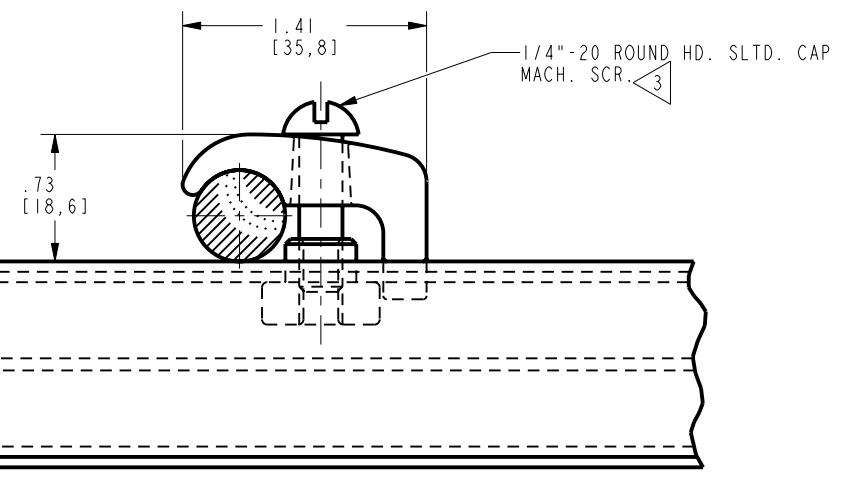
C

C



B

B



NOTES:

- 1 MATERIAL: COPPER ALLOY
- 2 ACCOMMODATES: #1 STR 8.33(.328) DIA. TO 4/0 STR 13.4(.528) DIA. CU/AL. CABLES.
- 3 NOMINAL INSTALLATION TORQUE:  
35 IN - LBS FOR 1/4" DIA. HARDWARE
- 4 MARKING:  
BURNDY  
GBM28CG2  
1-4/0 AL.CU.
- 5 FINISH: ELECTRO TINNED
- 6 DIMENSIONS IN BRACKETS [ ] ARE IN MILLIMETERS, UNLESS OTHERWISE NOTED, AND ARE FOR REFERENCE ONLY.

A

A

REV: PE0200

TO ORDER BURNDY® PRODUCTS CALL		GROUND CLAMP	
UNITED STATES: 1-800-346-4175 (LONDONDERRY, NH)		ITEM NO: 10058509	
CANADA: 1-800-361-6975 (QUEBEC) 1-800-387-6487 (ALL OTHER PROVINCES)		CAT. NO: GBM28CG2	
FOR PRODUCT INFO: <a href="http://www.burndy.com">http://www.burndy.com</a>		DRAWN BY: V.S.T 04/24/91	
		CHECKER: L.KENYON 04/91	
		DSN APPVL: --	
		MFG APPVL: --	
		QA APPVL: --	
		MKT APPVL: --	
		SCALE: 1:1	
PROJECT #: --		DRAWING NO	
DOCUMENT TYPE: Sales		CSC32004-01	
REL LEVEL: Released		SHEET 1 OF 1	
		REV	
		A	

4

3

2

1