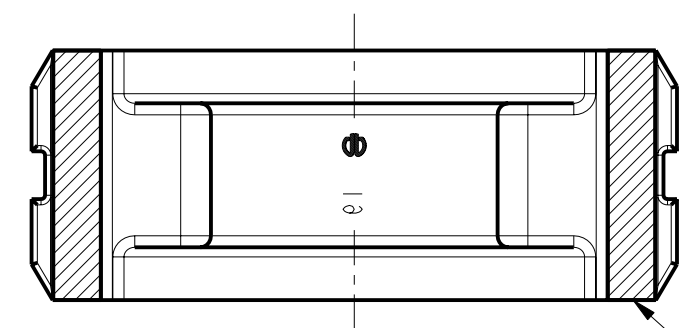
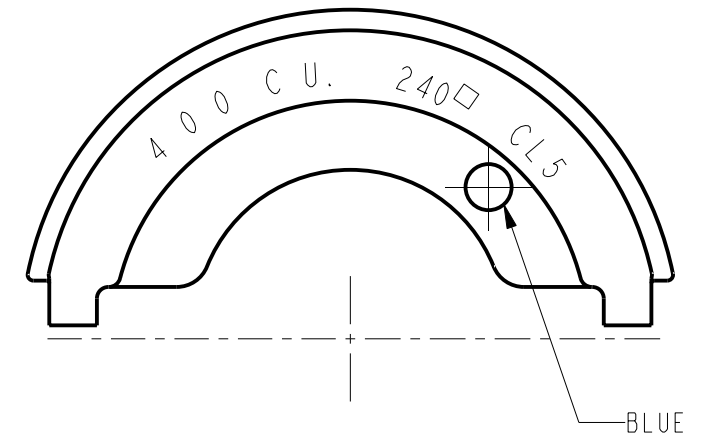
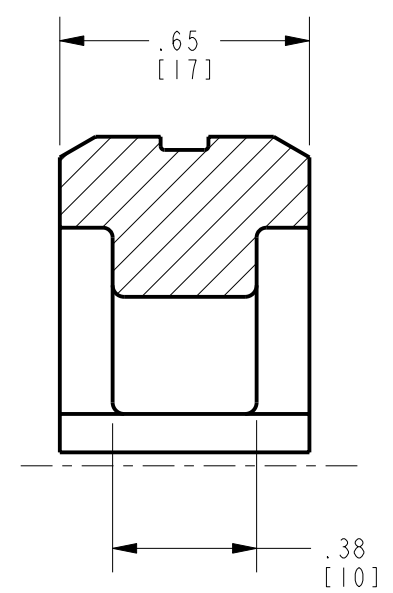
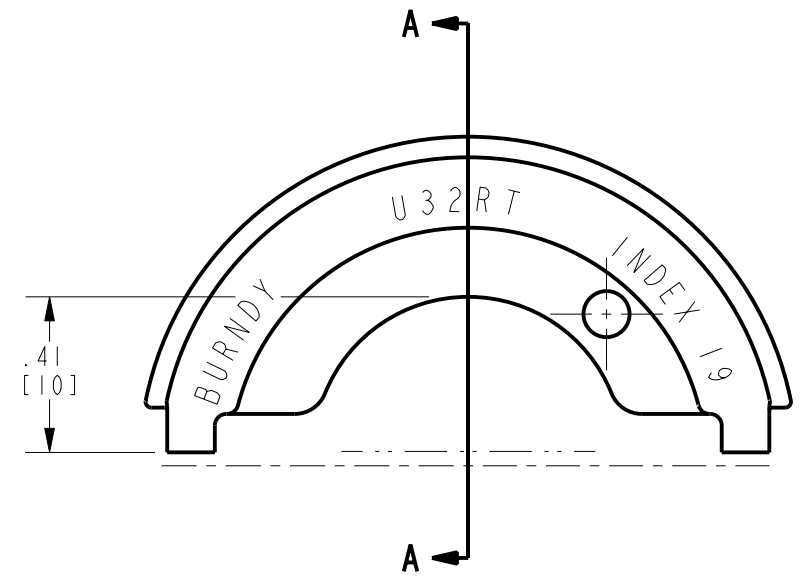


REV.	DATE	DESCRIPTION	ECO	BY	C'H'K.
A	6/22/2009 9:00:00 PM	NEW SALES DRAWING RELEASE	18373	IA	BSK



BUTTING SURFACES TO MATING DIES

SECTION A-A

NOTES:

1. DIMENSIONS IN BRACKETS [] ARE IN MILLIMETERS ROUNDED OFF TO THE NEAREST MILLIMETER, UNLESS OTHERWISE SPECIFIED, AND ARE FOR REFERENCE ONLY.
2. DIE INSPECTION GAGE CATALOG NUMBER (CUSTOMER & ENGINEERING USE ONLY): UPGI9.
3. MATERIAL: STAINLESS STEEL.

TO ORDER BURNDY® PRODUCTS CALL
 UNITED STATES:
 1-800-346-4175 (LONDONDERRY, NH)
 CANADA:
 1-800-361-6975 (QUEBEC)
 1-800-387-6487 (ALL OTHER PROVINCES)
 FOR PRODUCT INFO: <http://www.burndy.com>

CIRCULAR BUTTING TWIN DIE		SCALE: 2:1	
ITEM NO:	--	DRAWING NO	REV
CAT. NO:	U32RT	10102823	A
DRAWN BY:	I. ANBALAGAN 06/22/09	PROJECT #:	--
CHECKER:	--	DOCUMENT TYPE:	Sales
DSN APPVL:	--	REL LEVEL:	Released
MFG APPVL:	--	SIZE	B
QA APPVL:	--	SHEET 1 OF 1	
MKT APPVL:	--		
PROD FAM:	TOOLS_HYDRAULIC/U-DIES		



REV: PE0200