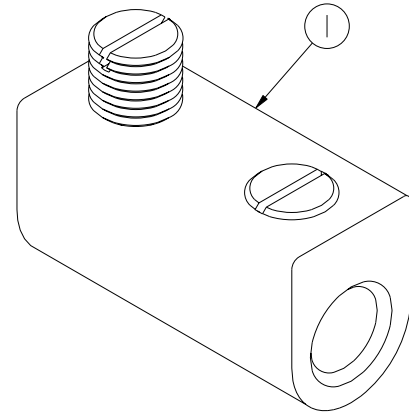


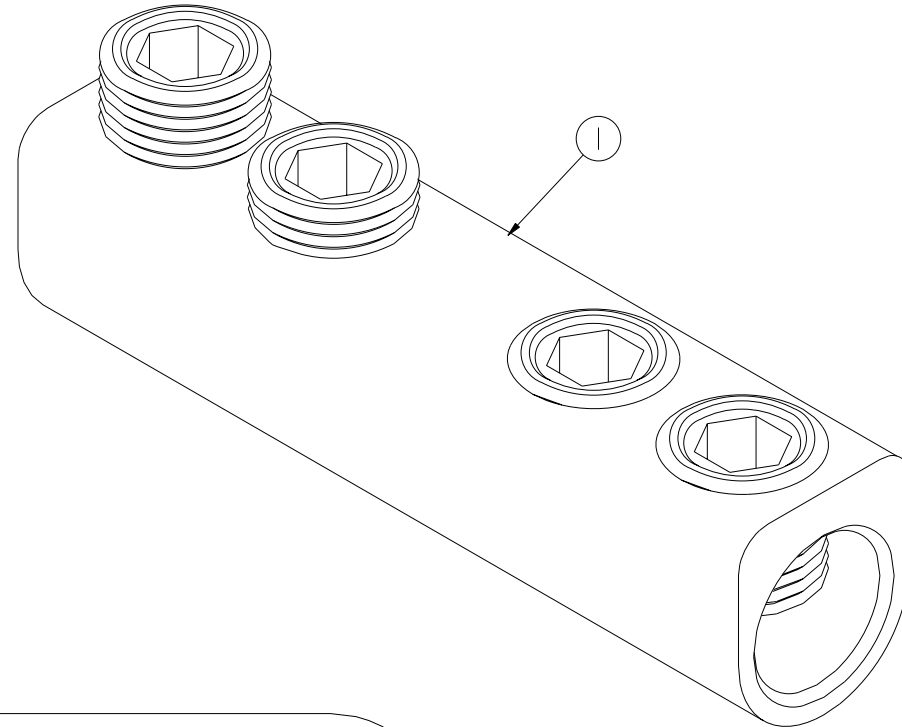
DRAWING NO.
SD211383-01




CATALOG NUMBER	ITEM	COMPONENT CATALOG NUMBER	DESCRIPTION	QTY
AGS-KIT2	1	AMS-2-1	DUAL RATED SPLICE/REDUCER (8 STR. - 2 STR. ALUMINUM OR COPPER)	1
	2	HSB340H5	HEAVY WALL HEAT SHRINK TUBING I.D. = .75", 5" LONG	
	NOT SHOWN	RKBAG4X9	SPLICE KIT BAG	
AGSKIT250	1	AMS-250-1	DUAL RATED SPLICE/REDUCER (1 STR. - 250 Kcmil ALUMINUM OR COPPER)	1
	2	HSB150H8	HEAVY WALL HEAT SHRINK TUBING I.D. = 1.5", 8" LONG	
	NOT SHOWN	RKBAG7X115	SPLICE KIT BAG	

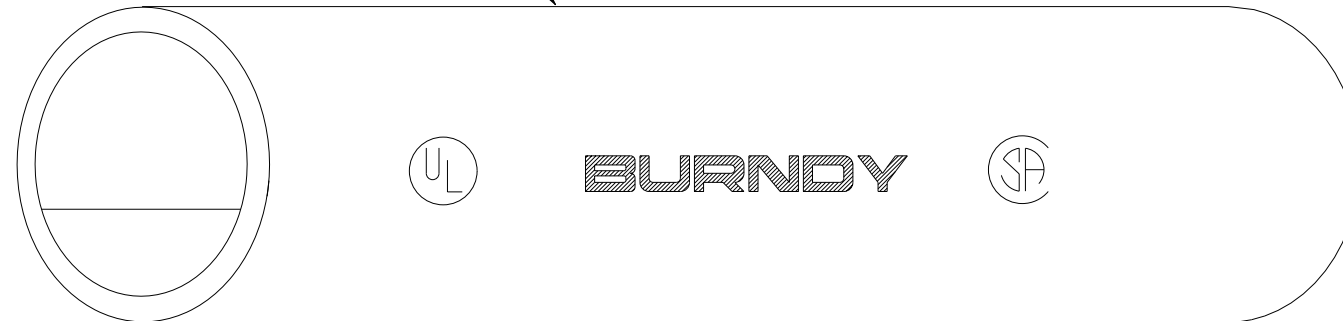
REV	DATE	DESCRIPTION	ECO	BY	C'H'K.
A	04/02/2012 00:00:00 AM	ADD VOLTAGE TEMPERATURE INFORMATION.	27145	AB	BT






AMS-2-1   



AMS-250-1   



HEAVY WALL HEAT SHRINK TUBING   
 AGS-KIT
 (BAG AND INSTALLATION INSTRUCTIONS NOT SHOWN)

NOTES:

- 1 AMS STYLE CONNECTORS ARE LISTED (UL486B STANDARD) AND CSA CERTIFIED.
- 2 RATED FOR 600V 90 C. (MAX).
- 3 HEAT SHRINK TUBING IS UL LISTED (UL486D STANDARD) AND CSA CERTIFIED (C22.2)
- 4 INSIDE DIAMETER SURFACE COATED WITH ADHESIVE.
- 5 SHRINK RATIO OF 3:1

TO ORDER BURNDY® PRODUCTS CALL		ABOVE GRADE SPLICE KITS	
UNITED STATES 1-800-346-4175 (LONDONDERRY, NH)		ITEM NO: N/A	SCALE: 1:1
CANADA: 1-800-361-6975 (QUEBEC) 1-800-387-6487 (ALL OTHER PROVINCES)		CAT. NO: AGS-KIT- (SEE TABLE)	REV
FOR PRODUCT INFO: http://www.burndy.com		DRAWN BY: K BOUTIN 03/17/98	A
		CHECKER: K HENRY 03/03/98	
		DSN APPVL: K.MELLO 03/20/98	
		MFG APPVL: -- --	
		QA APPVL: P.MITCHELL 03/19/98	
		MKT APPVL: N/A --	
		PROJ #: --	
		SIZE: D	
		PROJECT #: --	
		DOCUMENT TYPE: Sales	
		REL LEVEL: Released	
		DRAWING NO: SD211383-01	
		SHEET 1 OF 1	

REV: PE0200