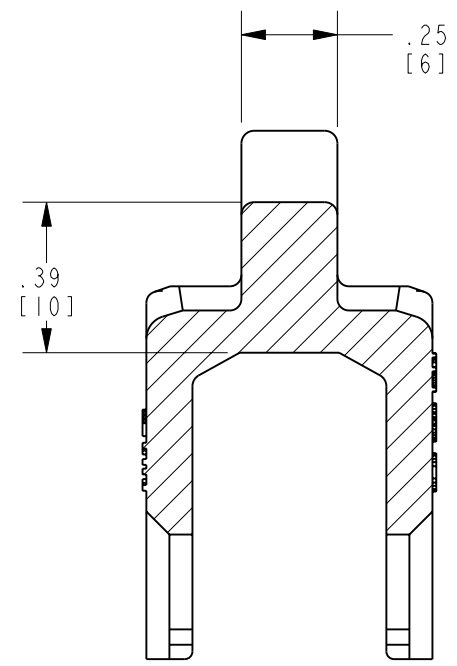
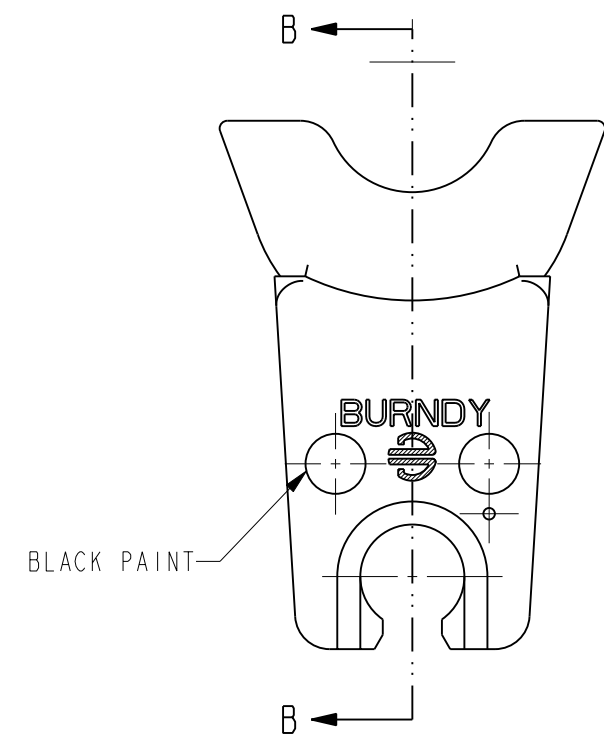
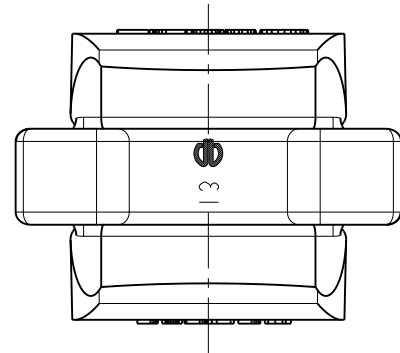
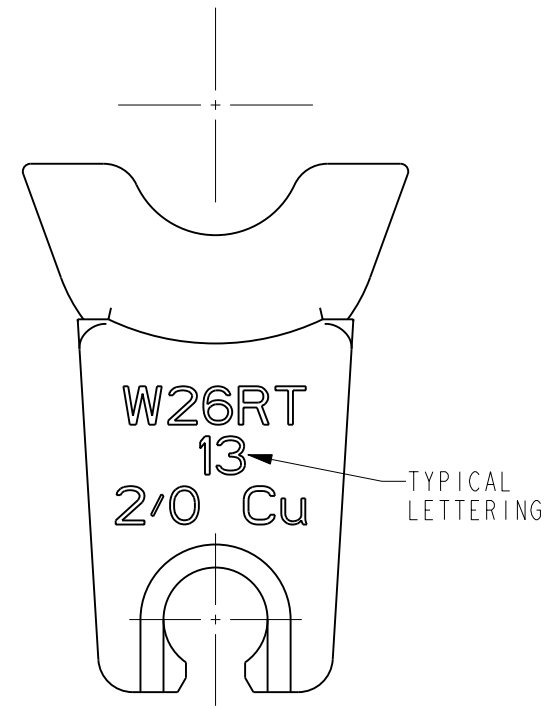


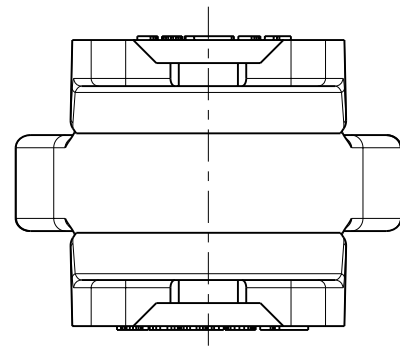
REV.	DATE	DESCRIPTION	ECO	BY	C'H'K.
C	03/25/2015 16:40:00 PM	UPDATED AS PER MARKUP	37640	MG	RM



SECTION B-B



TYPICAL LETTERING



NOTES:

1. DIMENSIONS IN BRACKETS [] ARE IN MILLIMETERS ROUNDED OFF TO THE NEAREST MILLIMETER, UNLESS OTHERWISE SPECIFIED, AND ARE FOR REFERENCE ONLY.
2. MATERIAL: STAINLESS STEEL.
3. DIE SET CATALOG NUMBER W26RT TO CONTAIN TWO (2) DIE HALVES.
4. DIE GAGE CAT NO. WPG13

REV: PE0200

TO ORDER BURNDY® PRODUCTS CALL		W-DIES	
UNITED STATES:		ITEM NO: 464159	
1-800-346-4175 (LONDONDERRY, NH)		CAT. NO: W26RT	
CANADA:		DRAWN BY: I. ANBALAGAN 12/03/10	
1-800-361-6975 (QUEBEC)		CHECKER: P. WASON 12/03/10	
1-800-387-6487 (ALL OTHER PROVINCES)		DSN APPVL: P. WASON 12/02/10	
FOR PRODUCT INFO: http://www.burndy.com		MFG APPVL: --	
		QA APPVL: J. BRODEUR 12/03/10	
		MKT APPVL: R. POIRIER 12/06/10	
		PROD FAM: TOOLS-MECH./W-DIES	
		PROJECT #: --	
		DOCUMENT TYPE: Sales	
		REL LEVEL: Released	
		SCALE: 1:1	
		DRAWING NO: 30008702	
		REV: C	
		SHEET 1 OF 1	

