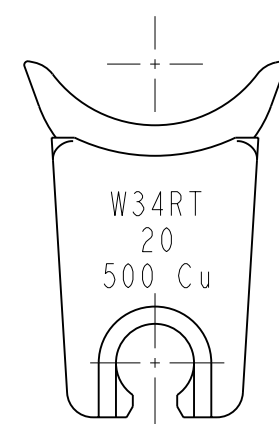
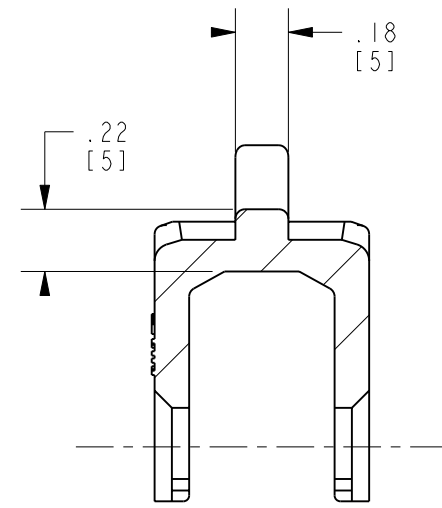
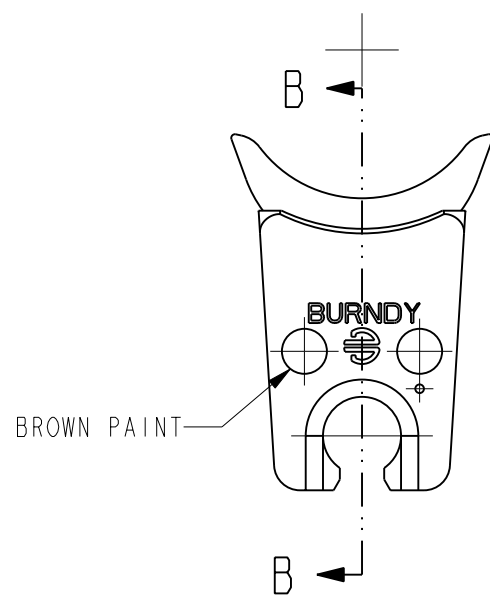
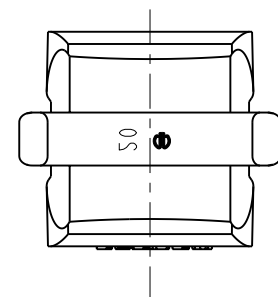


REV.	DATE	DESCRIPTION	ECO	BY	C'H'K.
B	04/04/2016 12:00:00 PM	NEW DRAWING CREATION	37640	MG	RM



NOTES:

- DIMENSIONS IN BRACKETS [] ARE IN MILLIMETERS ROUNDED OFF TO THE NEAREST MILLIMETER, UNLESS OTHERWISE SPECIFIED, AND ARE FOR REFERENCE ONLY.
- MATERIAL: STAINLESS STEEL.
- DIE SET CATALOG NUMBER W34RT TO CONTAIN TWO (2) DIE HALVES.
- DIE GAGE CAT NO. WPG20

REV: PE0200

TO ORDER BURNDY® PRODUCTS CALL		W-DIES (MD6 HYTOOL)™	
UNITED STATES:		ITEM NO: 464182	
1-800-346-4175 (LONDONDERRY, NH)		CAT. NO: W34RT	
CANADA:		DRAWN BY: M.GOPI 09/02/2015	
1-800-361-6975 (QUEBEC)		CHECKER: L.BROWN 09/04/2015	
1-800-387-6487 (ALL OTHER PROVINCES)		DSN APPVL: L.BROWN 09/04/2015	
FOR PRODUCT INFO: http://www.burndy.com		MFG APPVL: C.TORREY 09/14/2015	
		QA APPVL: C.LINDQUIST 09/04/2015	
		MKT APPVL: P.SILVA 10/14/2015	
		SCALE: 3:2	
		DRAWING NO	
		PROJECT #: --	
		SIZE	
		B	
		DRAWING NO	
		50057596	
		REVISION	
		B	
		REL LEVEL: Released	
		SHEET 1 OF 1	

