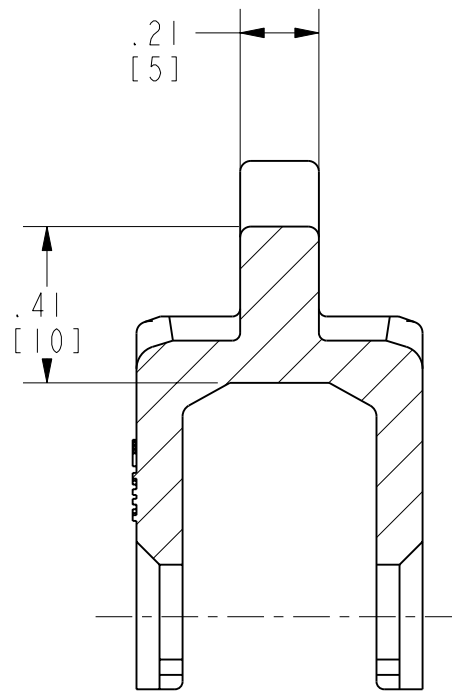
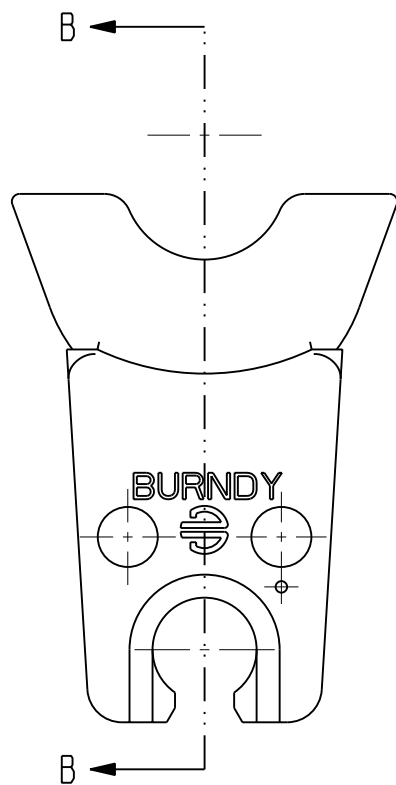
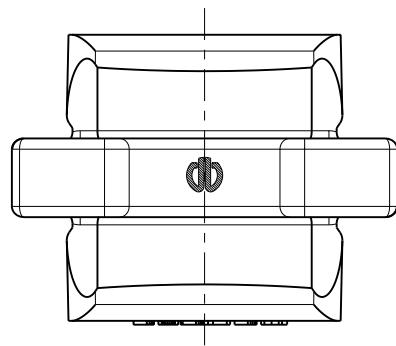
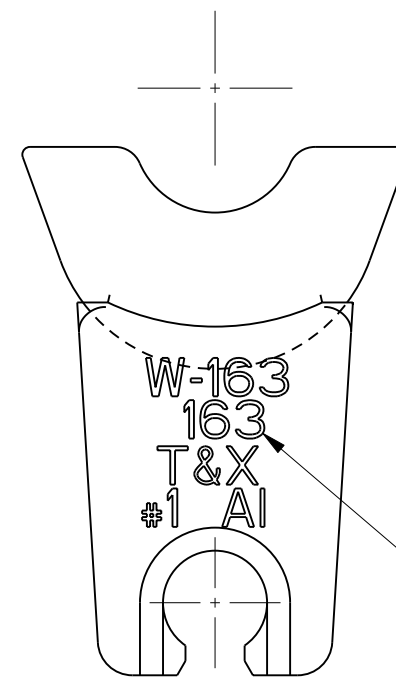


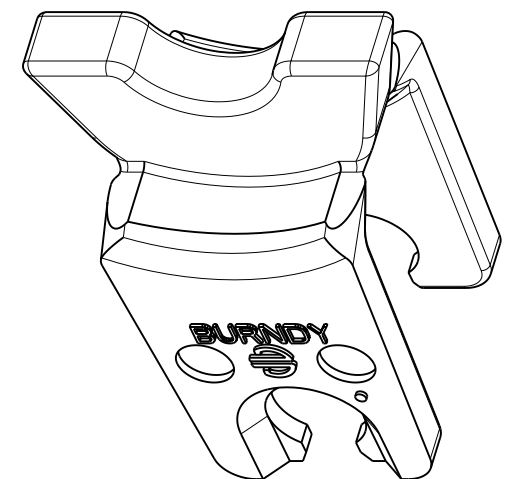
REV.	DATE	DESCRIPTION	ECO	BY	C'H'K.
C	04/24/2015 00:00:00 AM	UPDATED AS PER MARKUP	39316	MG	RM



SECTION B-B



DIE INDEX



NOTES:

1. DIMENSIONS IN BRACKETS [] ARE IN MILLIMETERS ROUNDED OFF TO THE NEAREST MILLIMETER, UNLESS OTHERWISE NOTED, AND ARE FOR REFERENCE ONLY.
2. MATERIAL: STAINLESS STEEL
3. DIE GAGE CAT NO. WPG163
4. CATALOG NUMBER CONSIST OF TWO DIE HALVES.

REV: PE0200

TO ORDER BURNDY® PRODUCTS CALL		W-DIES (MD6 HYTOOL)	
UNITED STATES: 1-800-346-4175 (LONDONDERRY, NH)		ITEM NO: --	
CANADA: 1-800-361-6975 (QUEBEC) 1-800-387-6487 (ALL OTHER PROVINCES)		CAT. NO: W163	
FOR PRODUCT INFO: http://www.burndy.com		DRAWN BY: M RAJASEKAR 7/03/2009	
		CHECKER: R RICK 7/29/2009	
		DSN APPVL: A JOHN 7/31/2009	
		MFG APPVL: --	
		QA APPVL: --	
		MKT APPVL: P ROBERT 7/22/2009	
		SCALE: 2:1	
		PROJ FAM: TOOLS_MECHANICAL	
		DRAWING NO	
		REV	
		PROJECT #: --	
		SIZE	
		10102383	
		DOCUMENT TYPE: Sales	
		B	
		SHEET 1 OF 1	
		C	

