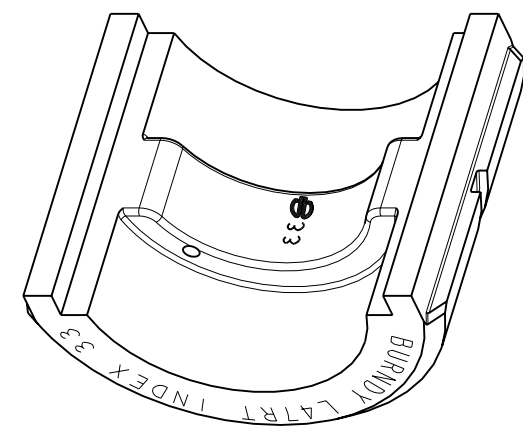
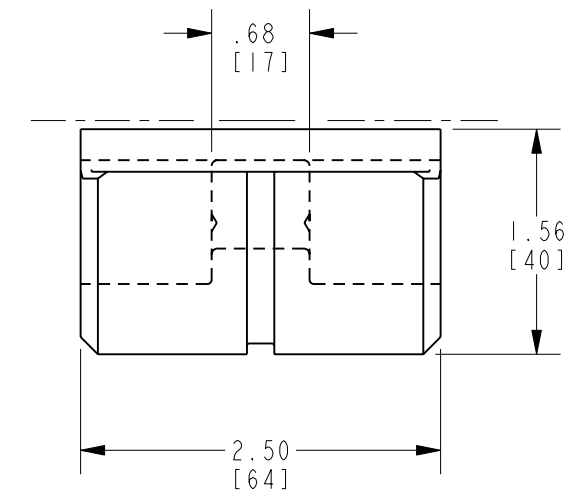
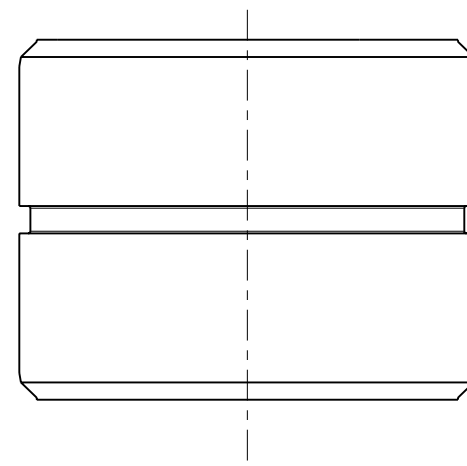
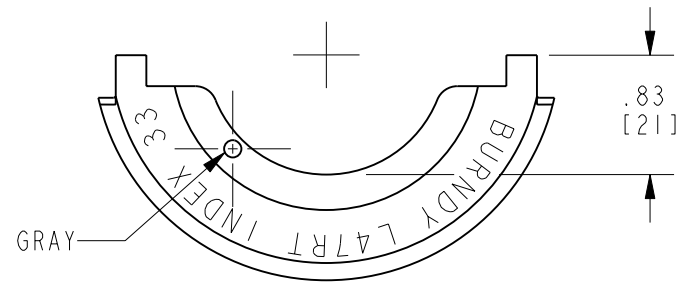
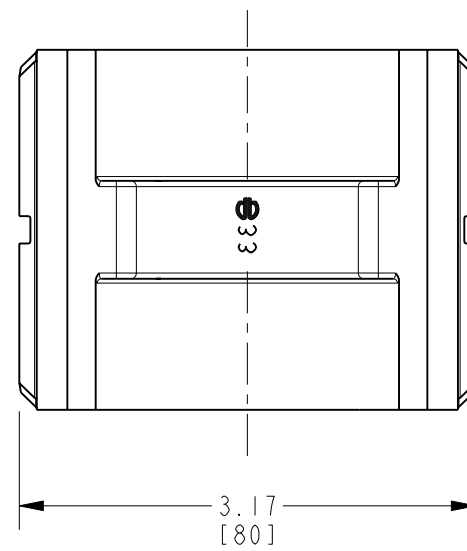


REV.	DATE	DESCRIPTION	ECO	BY	C'H'K.
A	1/25/2011 2:30:00 PM	NEW SALES DRAWING RELEASE	23204	1A	JG



NOTES:

1. DIMENSIONS IN BRACKETS [] ARE IN MILLIMETERS ROUNDED OFF TO THE NEAREST MILLIMETER, UNLESS OTHERWISE SPECIFIED, AND ARE FOR REFERENCE ONLY.
2. MATERIAL: STAINLESS STEEL.
3. USED ON Y60 HYPRESS™

TO ORDER BURNDY® PRODUCTS CALL
 UNITED STATES:
 1-800-346-4175 (LONDONDERRY, NH)
 CANADA:
 1-800-361-6975 (QUEBEC)
 1-800-387-6487 (ALL OTHER PROVINCES)
 FOR PRODUCT INFO: <http://www.burndy.com>

CIRCULAR TWIN DIE		SCALE: 1:1
ITEM NO: 460066		DRAWING NO: 30011642
CAT. NO: L47RT		
DRAWN BY: I. ANBALAGAN	01/25/11	REV: A
CHECKER: R. ROMAN	02/12/11	
DSN APPVL: L. BROWN	02/15/11	SHEET 1 OF 1
MFG APPVL: A. SHLOPAK	02/12/11	
QA APPVL: J. BRODEUR	02/24/11	
MKT APPVL: R. POIRIER	02/14/11	
PROJECT #: --	SIZE: B	
DOCUMENT TYPE: Sales		
REL LEVEL: Released		

REV: PE0200