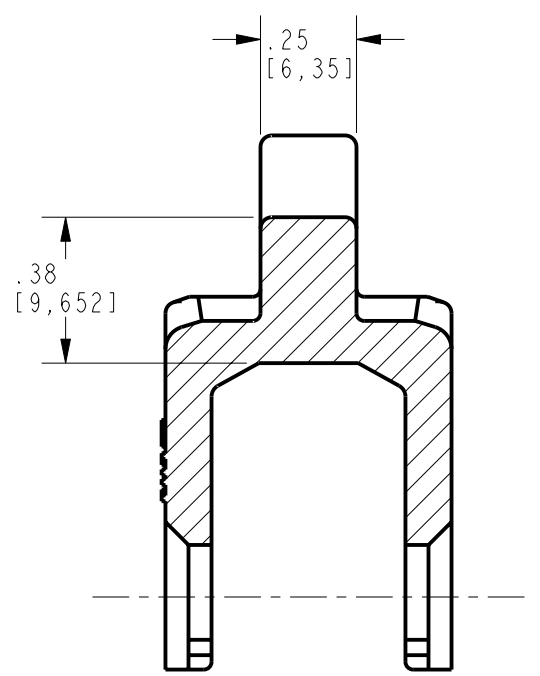
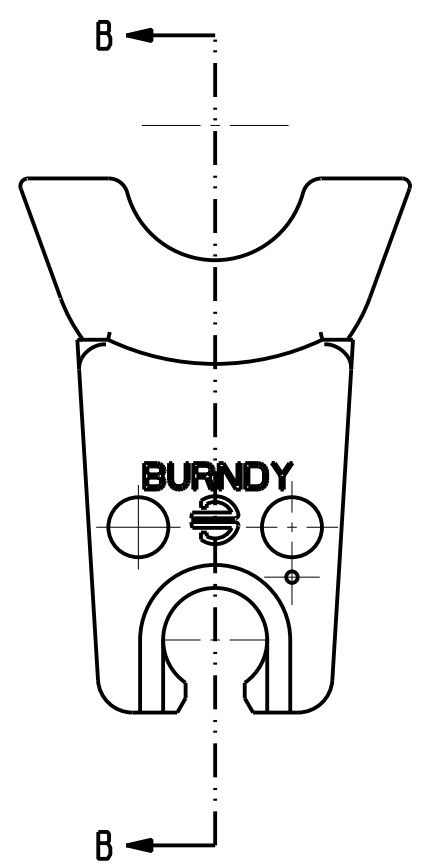
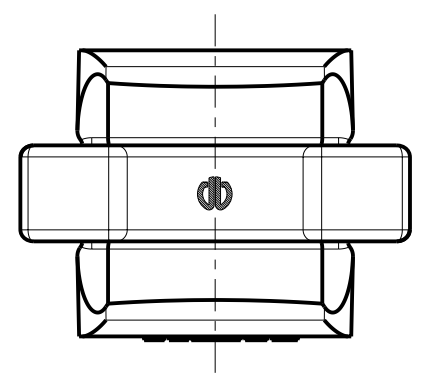
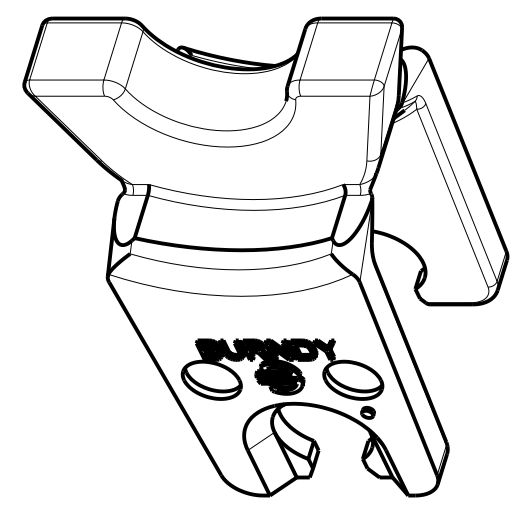
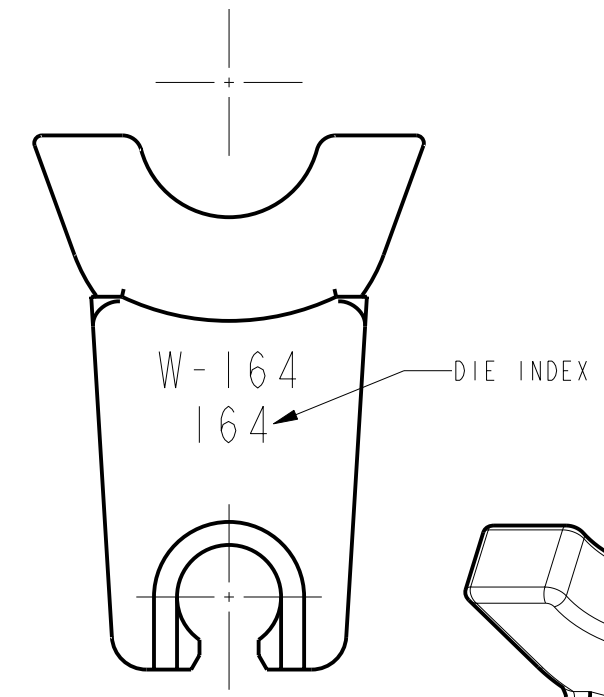


| REV. | DATE                   | DESCRIPTION       | ECO   | BY  | C'H'K. |
|------|------------------------|-------------------|-------|-----|--------|
| B    | 01/27/2014 21:25:00 PM | UPDATED AS PER MU | 34285 | MVP | MB     |



SECTION B-B



NOTES:

1. DIMENSIONS IN BRACKETS [ ] ARE IN MILLIMETERS ROUNDED OFF TO THE NEAREST MILLIMETER, UNLESS OTHERWISE SPECIFIED, AND ARE FOR REFERENCE ONLY.
2. MATERIAL: STAINLESS STEEL.
3. DIE GAGE CAT NO. WPG164

TO ORDER BURNDY® PRODUCTS CALL  
 UNITED STATES:  
 1-800-346-4175 (LONDONDERRY, NH)  
 CANADA:  
 1-800-361-6975 (QUEBEC)  
 1-800-387-6487 (ALL OTHER PROVINCES)  
 FOR PRODUCT INFO: <http://www.burndy.com>

| W-DIES (MD6 HYTOOL) |                       | SCALE: 1:1     |          |
|---------------------|-----------------------|----------------|----------|
| ITEM NO:            | N/A                   | DRAWING NO     | REV      |
| CAT. NO:            | W164                  | 30013498       | B        |
| DRAWN BY:           | L. ANBALAGAN 03/16/11 | PROJECT #:     | --       |
| CHECKER:            | L. BROWN 03/17/11     | DOCUMENT TYPE: | Sales    |
| DSN APPVL:          | L. BROWN 03/17/11     | REL LEVEL:     | Released |
| MFG APPVL:          | --                    |                |          |
| QA APPVL:           | J. BRODEUR 03/23/11   |                |          |
| MKT APPVL:          | R. POIRIER 03/17/11   |                |          |



REV: PE0200