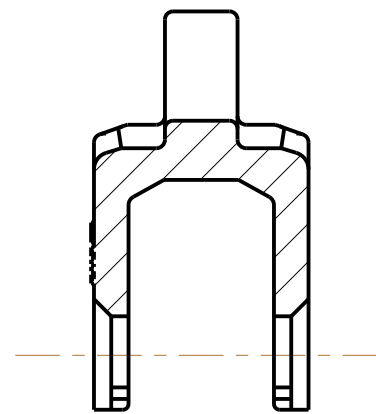
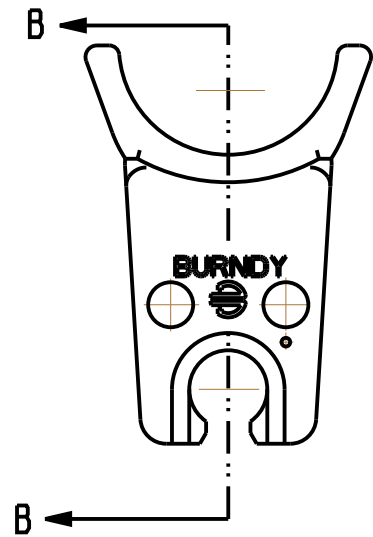
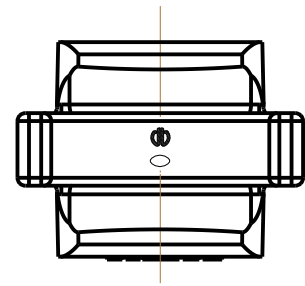
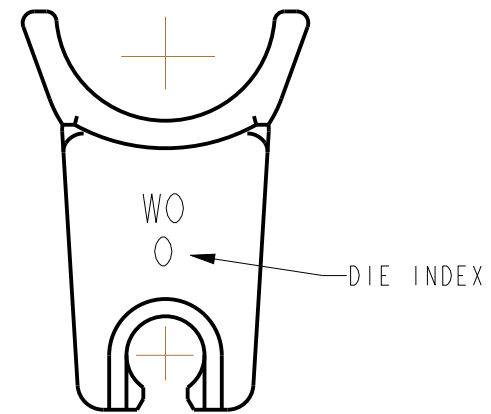


REV.	DATE	DESCRIPTION	ECO	BY	C'H'K.
B	01/29/2014 00:00:00 AM	ADD NOTE 3 TO DRAWING PER M/U.	34286	RB	LB



SECTION B-B



NOTES:

1. DIMENSIONS IN BRACKETS [] ARE IN MILLIMETERS ROUNDED OFF TO THE NEAREST MILLIMETER, UNLESS OTHERWISE SPECIFIED, AND ARE FOR REFERENCE ONLY.
2. MATERIAL : STAINLESS STEEL.
3. DIE GAGE CAT. NO. WPGO.

TO ORDER BURNDY® PRODUCTS CALL
 UNITED STATES:
 1-800-346-4175 (LONDONDERRY, NH)
 CANADA:
 1-800-361-6975 (QUEBEC)
 1-800-387-6487 (ALL OTHER PROVINCES)
 FOR PRODUCT INFO: <http://www.burndy.com>

W-DIES (MD6 HYTOOL)	
ITEM NO:	464045
CAT. NO:	WO
DRAWN BY:	THIRU 08/14/2012
CHECKER:	L BROWN 08/24/2012
DSN APPVL:	L BROWN 08/24/2012
MFG APPVL:	--
QA APPVL:	C ACKERMAN 09/07/2012
MKT APPVL:	R POIRIER 08/30/2012
PROD FAM:	TOOLS, MECHANICAL
PROJECT #:	--
DOCUMENT TYPE:	Sales
REL LEVEL:	Released
SCALE:	3:2
DRAWING NO	50007852
REV	B
SHEET 1 OF 1	

REV: PE0200