

TABLE		
ITEM #	CATALOG #	DESCRIPTION
30007099	PATMD6LI	PATMD6 WITH "D3" & "BG" GROOVES 120V CHARGER
30007098	PATMD68LI	PATMD6 WITH "D3" & "O" GROOVES 120V CHARGER
50032354	PATMD68LIHC	PATMD6 WITH "D3" AND "O" GROOVES WITH HARD CASE
30007097	PATMD66LI	PATMD6 WITH "D3" GROOVE ONLY 120V CHARGER
30016281	PATMD6KLI	PATMD6 WITH KERNEY DIE GROOVES
30007096	PATMD6LIDC	PATMD6 WITH "D3" & "BG" GROOVES 12V CHARGER
30016282	PATMD6KLIDC	PATMD6 WITH KERNEY DIE GROOVES, 12V CHARGER
30007095	PATMD6LI250V	PATMD6 WITH "D3" & "BG" GROOVES 250V CHARGER
50026701	PATMD6KLI250V	PATMD6 WITH KERNEY DIE GROOVES, 250V CHARGER
30007094	PATMD68LIDC	PATMD6 WITH "D3" & "O" GROOVES 12V CHARGER
30007093	PATMD68LI250V	PATMD6 WITH "D3" & "O" GROOVES 250V CHARGER
50056947	PATMD68LILC	PATMD6 WITH "D3" & "O" GROOVES 120V CHARGER WITHOUT CASE OR TOOL BAG
30007092	PATMD66LIDC	PATMD6 WITH "D3" GROOVE 12V CHARGER
30007091	PATMD66LI250V	PATMD6 WITH "D3" GROOVE 250V CHARGER
50089041	PATMD66LIFJ	PATMD6 WITH "D3" GROOVE AND FIXED JAW

REV.	DATE	DESCRIPTION	ECO	BY	C'H'K.
P	2018-11-28 23:00:00 EST	UPDATED AS PER MARKUP	50404	RS	RM

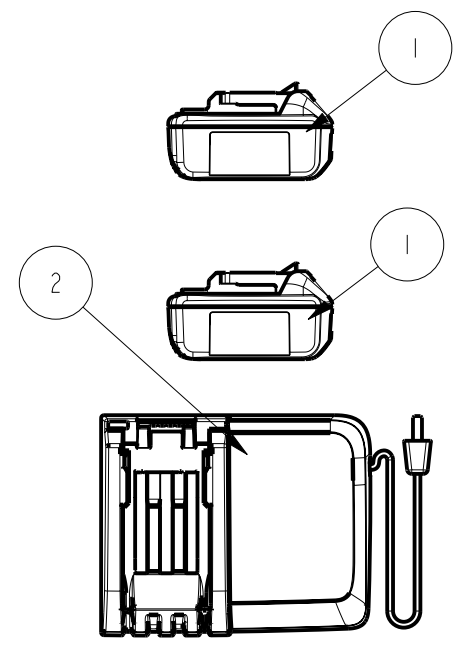
*** BILL OF MATERIAL ***

PT NO.	CATALOG NO.	QTY	DESCRIPTION
1	BATI8VLI	2	BATTERY, 18 VOLT LITHIUM ION
2	PATCHGRLI	1	120 V-AC CHARGER
2	PATCHGRLIDC	1	12V-DC CHARGER
2	PATCHGRLI250V	1	250V- CHARGER
3	TOOLBAGMDLI	1	TOOL BAG, PATMD-LI
3	PT5002515I	1	CARRY CASE PATMD-LI
4	PT2044380I	1	WARRANTY CARD
5	PATMD6LIOMI	1	SOMI, PATMD-LI
6	BATCHGRLISOMI	1	BATTERY CHARGER SAFETY OPERATING & MAINT. INST.

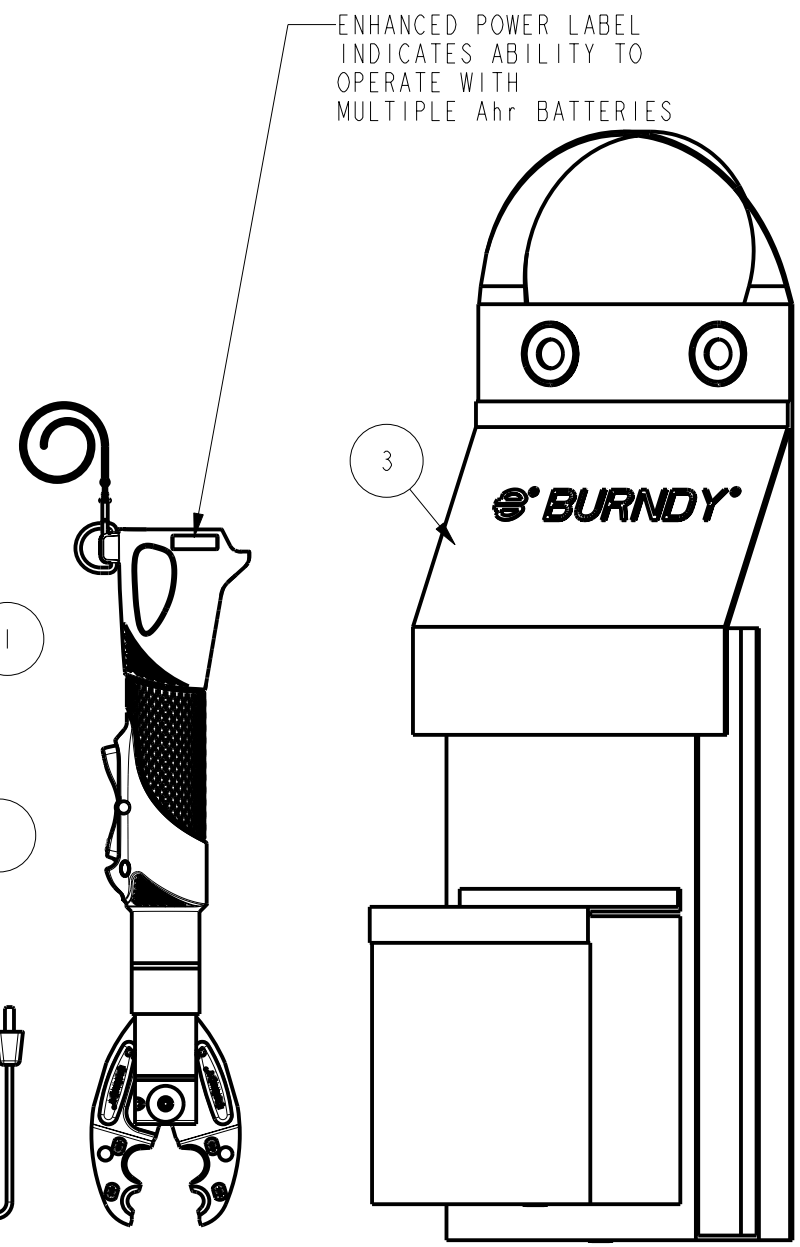
- FEATURES**
- TRUE ONE HANDED OPERATION FOR ADVANCE, RETRACT AND HOLD.
 - 6 TON OUTPUT FORCE.
 - STATE OF THE ART CRIMPING HEAD DESIGN, 350° ROTATION.
 - AUDIBLE "POP OFF" INDICATES PROPERLY COMPLETED CRIMPS.
 - ERGONOMICALLY BALANCED TOOL.
 - DURABLE CARRY BAG.
 - 5 YEAR LIMITED WARRANTY ON THE TOOL.
 - 3 YEAR WARRANTY ON THE BATTERIES AND CHARGER.

- BENEFITS**
- VERSATILE TOOL HEAD POSITIONING LETS USER GET INTO TIGHT AREAS.
 - LESS DOWN TIME DUE TO HIGH CAPACITY, HIGH VOLTAGE 18 VOLT LITHIUM ION BATTERY.
 - ASSURES PROPER CRIMPS WITH AUDIBLE INDICATOR, LEAVING NO DOUBT FOR TOOL USER.
 - ERGONOMICALLY BALANCED TOOL.
 - SMOOTHER, QUIETER, MORE EFFICIENT TOOL OPERATION.

- NOTES:**
1. ALL PATRIOT® PRODUCTS ARE AVAILABLE WITH A DC CHARGER PERMITTING THE CHARGING OF 18V DC BATTERIES WITH A 12V SYSTEM.
 2. TO ORDER 12 VOLT DC CHARGER SEPARATELY, ORDER CATALOG NUMBER PATCHGRLIDC.
 3. EACH TOOL INCLUDES ONE CHARGER, WHICH IS DETERMINED BY THE TOOL CATALOG NUMBER.
 4. TO ORDER WITHOUT TOOLBAGMDLI OR PT5002515I (CARRY CASE PATMD-LI), ORDER CATALOG PATMD68LILC.



5. TOOL ACCEPTS 18V MAKITA LITHIUM-ION BATTERIES, BL SERIES, OF SIZE 2.0 AHR AND GREATER IF THE PLASTIC BATTERY CLIP IN THE TOOL HAS A "STAR" MOLDED INTO IT. THE "STAR" IDENTIFIES ACCEPTANCE OF THE BL SERIES BATTERIES.
6. FOR TOOLS WHICH DO NOT HAVE A "STAR" MOLDED INTO THE PLASTIC BATTERY CLIP, USE IS LIMITED TO THE BL1830 (3.0 AHR) BATTERY. FORCING ANY OTHER BATTERY INTO THIS TOOL WILL VOID THE WARRANTY.



ENHANCED POWER LABEL INDICATES ABILITY TO OPERATE WITH MULTIPLE Ahr BATTERIES

PATRIOT®

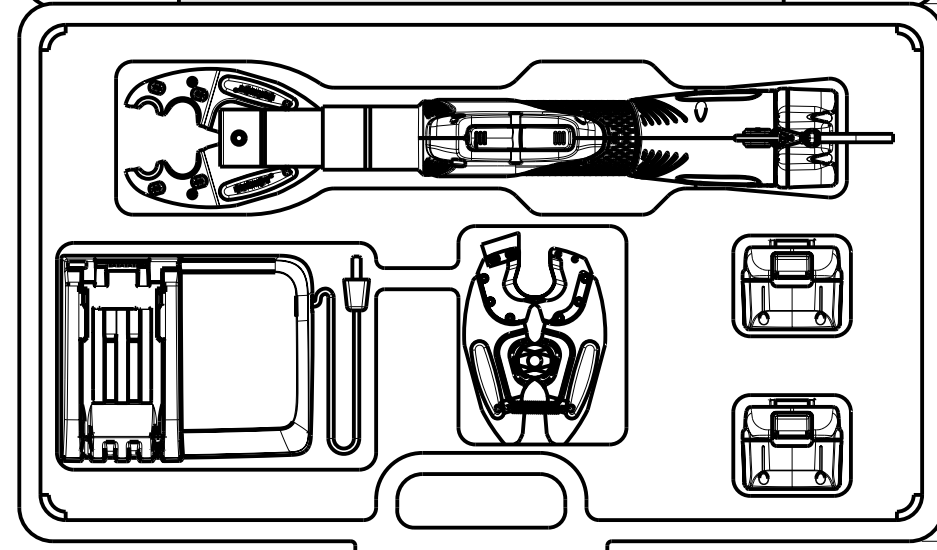
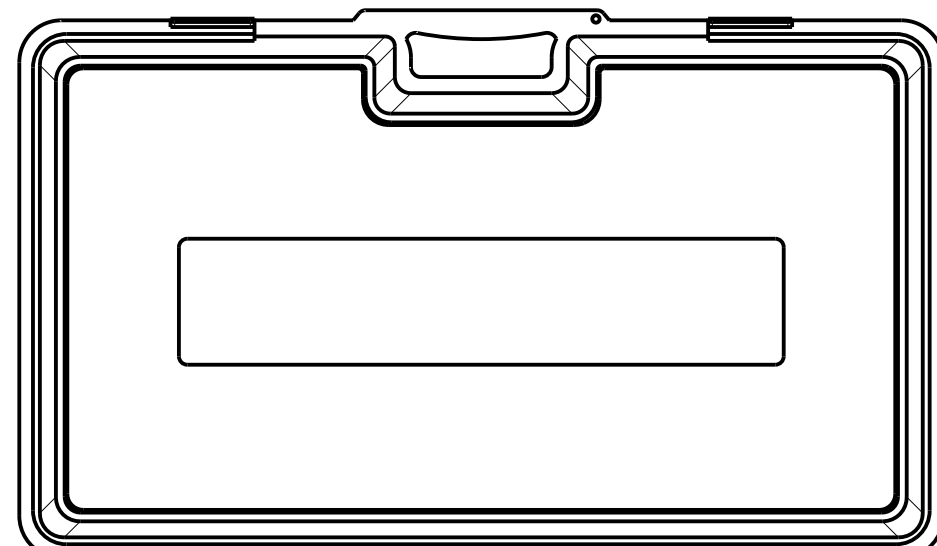
SPECIFICATIONS
 IN-LINE BATTERY TOOL
 PATMD6-LI AND PATMD68-LI
 USES BURNDY "W" & "X" DIES
 CRIMP FORCE: 6 TONS (5.4 METRIC TONS)
 TOOL WEIGHT: 7.5 LBS (3.4 kg)
 LENGTH: 21.3 IN (541 mm)
 WIDTH: 2.8 IN (71.1 mm)
 HEIGHT: 4.25 IN (108 mm)
 OPERATING VOLTAGE: 18 V-DC
 RECHARGE TIME: < 30 MINUTES

SPECIFICATIONS
 IN-LINE BATTERY TOOL
 PATMD66-LI
 USES BURNDY "W" & "X" DIES
 CRIMP FORCE: 6 TONS (5.4 METRIC TONS)
 TOOL WEIGHT: 7.3 LBS (3.3 kg)
 LENGTH: 20.4 IN (518 mm)
 WIDTH: 2.8 IN (71.1 mm)
 HEIGHT: 4.25 IN (108 mm)
 OPERATING VOLTAGE: 18 V-DC
 RECHARGE TIME: < 30 MINUTES

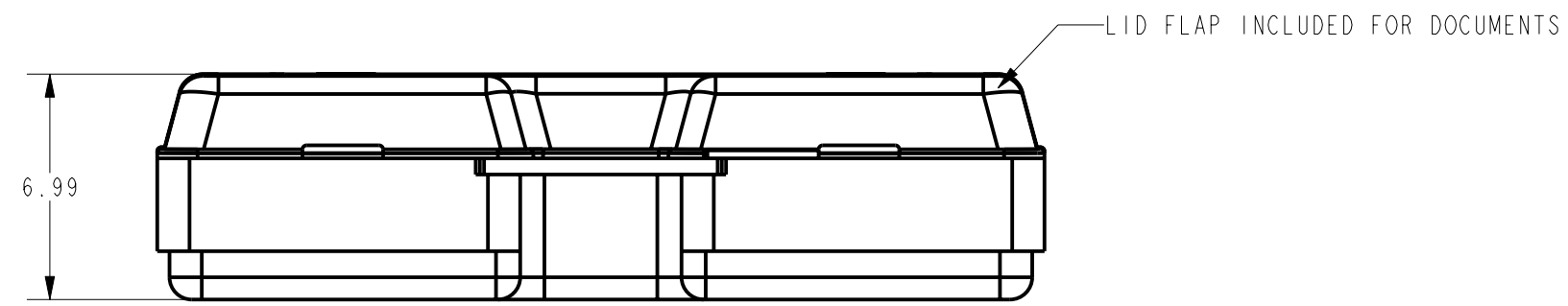
REV: PE0200

TO ORDER BURNDY® PRODUCTS CALL		PATRIOT® MD6-LI IN-LINE TOOL													
UNITED STATES: 1-800-346-4175 (LONDONDERRY, NH)		ITEM NO: SEE TABLE													
CANADA: 1-800-361-6975 (QUEBEC) 1-800-387-6487 (ALL OTHER PROVINCES)		CAT. NO: SEE TABLE													
FOR PRODUCT INFO: http://www.burndy.com		<table border="1"> <tr><td>DRAWN BY: T. FAUCHER</td><td>12/14/2010</td></tr> <tr><td>CHECKER: M. CHIASSON</td><td>12/14/2010</td></tr> <tr><td>DSN APPVL: P. WASON</td><td>06/12/2014</td></tr> <tr><td>MFG APPVL: S. GONYAW</td><td>06/17/2014</td></tr> <tr><td>QA APPVL: C. LINDQUIST</td><td>06/12/2014</td></tr> <tr><td>MKT APPVL: M. RZASA</td><td>06/12/2014</td></tr> </table>		DRAWN BY: T. FAUCHER	12/14/2010	CHECKER: M. CHIASSON	12/14/2010	DSN APPVL: P. WASON	06/12/2014	MFG APPVL: S. GONYAW	06/17/2014	QA APPVL: C. LINDQUIST	06/12/2014	MKT APPVL: M. RZASA	06/12/2014
DRAWN BY: T. FAUCHER	12/14/2010														
CHECKER: M. CHIASSON	12/14/2010														
DSN APPVL: P. WASON	06/12/2014														
MFG APPVL: S. GONYAW	06/17/2014														
QA APPVL: C. LINDQUIST	06/12/2014														
MKT APPVL: M. RZASA	06/12/2014														
SCALE: 3:16		DRAWING NO													
PROJECT #: 14075		30007101													
DOCUMENT TYPE: Sales		SHEET 1 OF 2													
REL LEVEL: Released		P													

REV.	DATE	DESCRIPTION	ECO	BY	C'H'K.
P	2018-11-28 23:00:00 EST	UPDATED AS PER MARKUP	50404	RS	RM



16.00



6.99

HARD CASE SUPPLIED ON TOOLS WITH "-HC" SUFFIX ONLY

TO ORDER BURNDY® PRODUCTS CALL
 UNITED STATES:
 1-800-346-4175 (LONDONDERRY, NH)
 CANADA:
 1-800-361-6975 (QUEBEC)
 1-800-387-6487 (ALL OTHER PROVINCES)
 FOR PRODUCT INFO: <http://www.burndy.com>

Patriot MD6-LI [®] IN-LINE [®] TOOL	
ITEM NO: SEE TABLE SHEET 1	
CAT. NO: SEE TABLE SHEET 1	
DRAWN BY: T. FAUCHER	12/14/2010
CHECKER: M. CHIASSON	12/14/2010
DSN APPVL: P. WASON	06/12/2014
MFG APPVL: S. GONYAW	06/17/2014
QA APPVL: C. LINDQUIST	06/12/2014
MKT APPVL: M. RZASA	06/12/2014
PROD FAM: TOOLS, BATTERY	SCALE: 1:10
PROJECT #: 14075	SIZE
DOCUMENT TYPE: Sales	30007101
REL LEVEL: Released	B
DRAWING NO	REV
30007101	P
SHEET 2 OF 2	



REV: PE0200