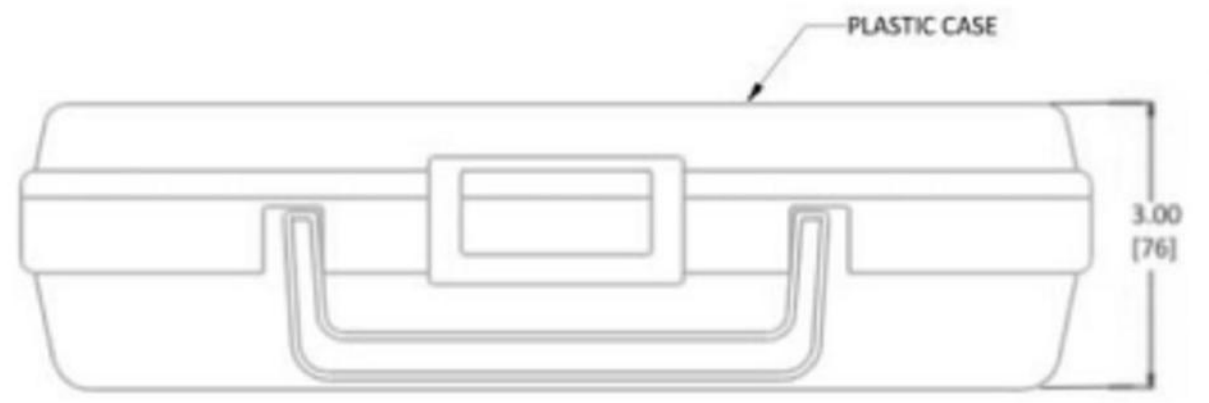
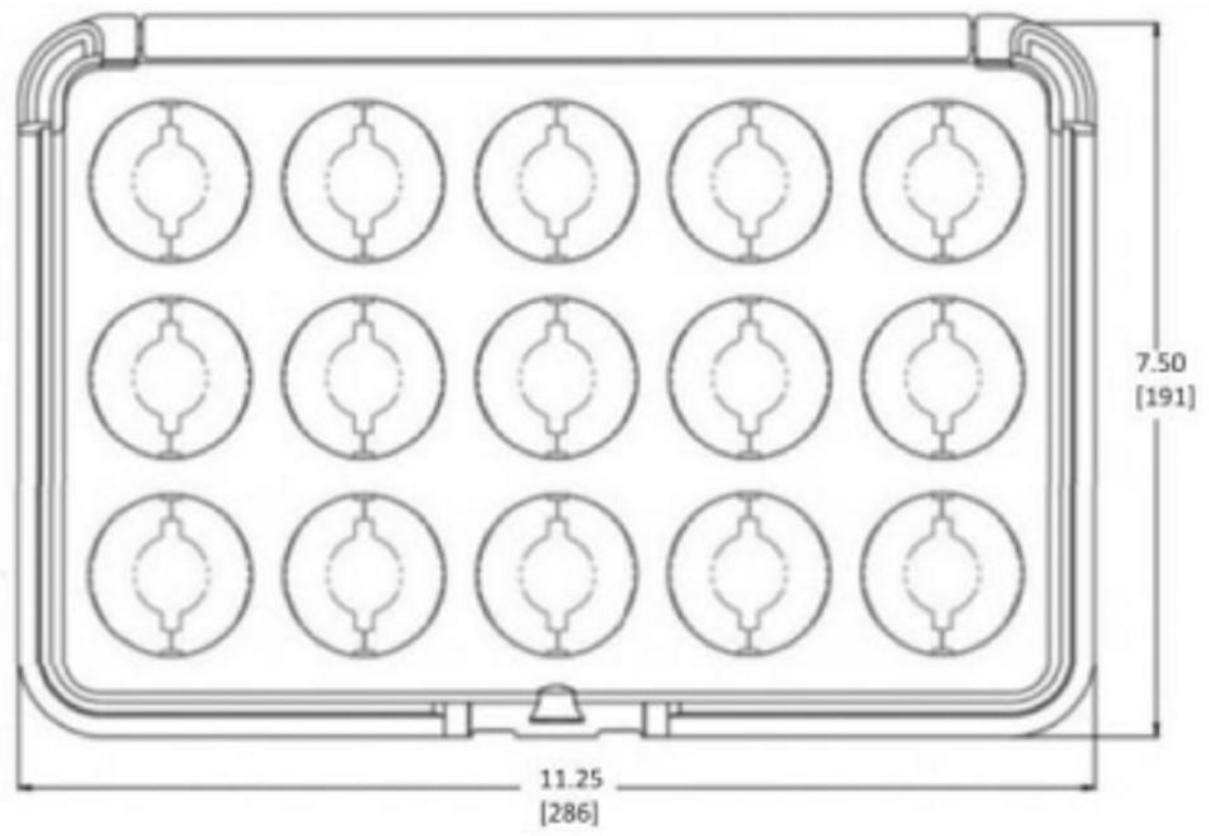


REV.	DATE	DESCRIPTION	ECO	BY	C'H'K.
A	2019-03-11 01:00:00 EDT	NEW DRAWING CREATION	50981	MG	RM



NOTES:

- DIMENSIONS IN BRACKETS [] ARE IN MILLIMETERS ROUNDED OFF THE NEAREST MILLIMETER, UNLESS OTHERWISE SPECIFIED, AND ARE FOR REFERENCE ONLY.
- CASEUDIES15 CAN HOLD UP TO 15 BURNDY "U" DIE SETS.

TO ORDER BURNDY® PRODUCTS CALL
 UNITED STATES:
 1-800-346-4175 (LONDONDERRY, NH)
 CANADA:
 1-800-361-6975 (QUEBEC)
 1-800-387-6487 (ALL OTHER PROVINCES)
 FOR PRODUCT INFO: <http://www.burndy.com>

CASE, U-DIES, 15 CAVITY		SCALE:	
ITEM NO: 50095120		DRAWING NO	
CAT. NO: CASEUDIES15		REV	
DRAWN BY: M GOPI	03/11/2019	BURNDY	
CHECKER: P WASON	03/11/2019		
DSN APPVL: P WASON	03/11/2019		
MFG APPVL: G NOONE	03/15/2019		
QA APPVL: C LINDQUIST	03/11/2019		
MKT APPVL: K SCHAEFER	05/09/2019		
PROD FAM: --	SIZE	50099693	A
PROJECT #: --	B	SHEET 1 OF 1	
DOCUMENT TYPE: Sales			
REL LEVEL: Released			

REV: PE0200