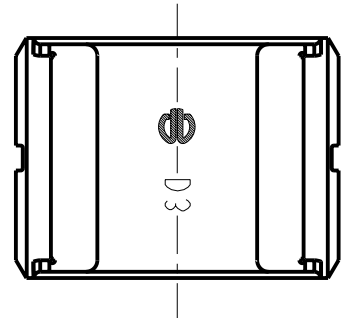
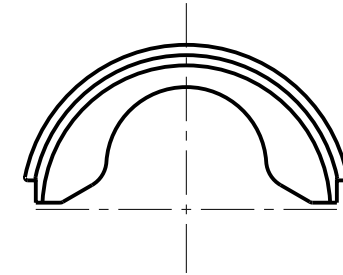
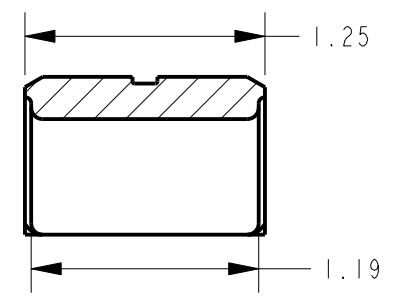
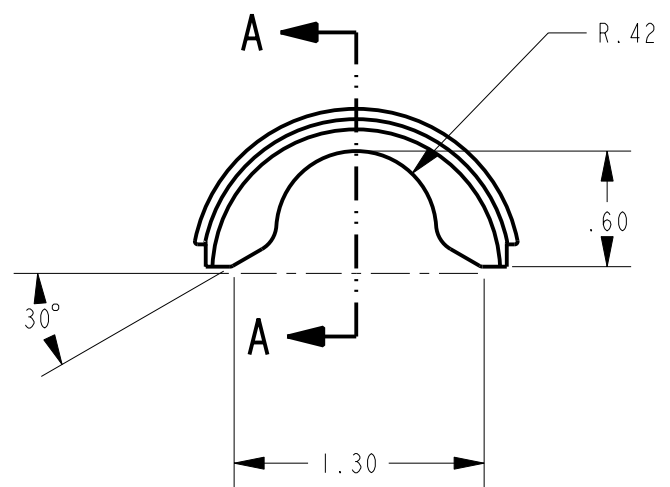
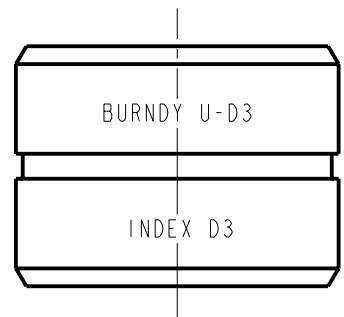


REV.	DATE	DESCRIPTION	ECO	BY	C'H'K.
B	03/30/2016 13:16:00 PM	UPDATED AS PER MARKUP	43335	MG	RM



- NOTES:
1. INTERPRET THIS DRAWING PER ASME Y14.5M-1994.
 2. CATALOG NUMBER U-D3 CONSIST OF TWO U-D3PI SINGLE DIES AS SHOWN.

TO ORDER BURNDY® PRODUCTS CALL
 UNITED STATES:
 1-800-346-4175 (LONDONDERRY, NH)
 CANADA:
 1-800-361-6975 (QUEBEC)
 1-800-387-6487 (ALL OTHER PROVINCES)
 FOR PRODUCT INFO: <http://www.burndy.com>

BUTTING RADIAL TWIN DIE			
ITEM NO: 420009			
CAT. NO: U-D3			
DRAWN BY:	E. MARTIN	06/29/09	BURNDY
CHECKER:	R. ROMAN	06/29/09	
DSN APPVL:	J. HALL	01/29/02	
MFG APPVL:	S. HOPPS	03/07/02	
QA APPVL:	J. BRODEUR	02/07/02	
MKT APPVL:	--	--	SCALE: 1:1
PROD FAM:	--	DRAWING NO	REV
PROJECT #:	--	10102886	B
DOCUMENT TYPE:	Sales	SIZE	B
REL LEVEL:	Released	B	SHEET 1 OF 1

REV: PE0200