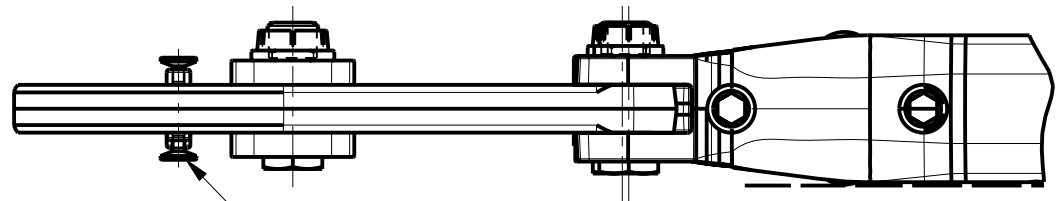
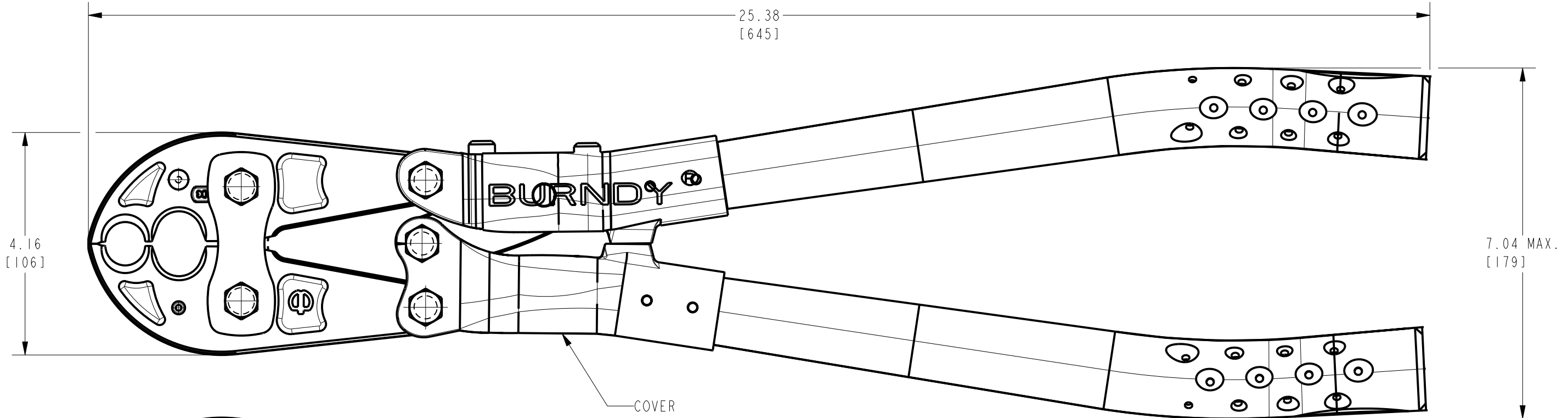


REV.	DATE	DESCRIPTION	ECO	BY	C'H'K.
A	02/20/2013 00:00:00 AM	DRAWING REDRAW PROCESS	30565	DD	MB

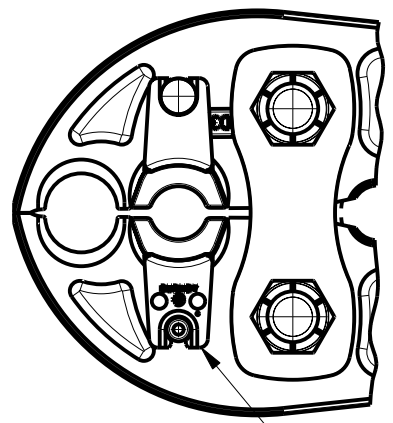


POSITIVE DIE LOCK



SPECIFICATIONS:

- WEIGHT: 6 LBS
- JAWS: FORGED STEEL
- FRAMES: HIGH STRENGTH CAST ALUMINUM
- HANDLES: WOOD
- COVER: HEAT SHRINK POLYVINYL CHLORIDE
- BEARINGS: OILESS BUSHING INSERT
- FORCE DEVELOPED: 9000 LBS



TYPICAL DIE INSERT
(NOT INCLUDED IN CAT. NO.)

NOTE:
1. DIMENSIONS IN BRACKETS [] ARE IN MILLIMETERS, ROUNDED OFF TO THE NEAREST MILLIMETER. UNLESS OTHERWISE NOTED. METRIC DIMENSIONS ARE FOR REFERENCE ONLY

TO ORDER BURNDY® PRODUCTS CALL
 UNITED STATES:
 1-800-346-4175 (LONDONDERRY, NH)
 CANADA:
 1-800-361-6975 (QUEBEC)
 1-800-387-6487 (ALL OTHER PROVINCES)
 FOR PRODUCT INFO: <http://www.burndy.com>

HYTOOL™	
ITEM NO: 464655	
CAT. NO: MD68	
DRAWN BY: J.R.H	08/19/67
CHECKER: CAR	08/19/67
DSN APPVL: --	--
MFG APPVL: --	--
QA APPVL: --	--
MKT APPVL: --	--
PROD FAM: --	--
PROJECT #: --	--
DOCUMENT TYPE: Sales	
REL LEVEL: Released	

SCALE: 1:2	DRAWING NO	REV
	SE068728	A
SIZE	SHEET 1 OF 2	
B		

REV: PE0200

DIE INDEX	CAT. NO.	DESCRIPTION	REFERENCE
0 (FIXED GROOVE)	YP-U	CABELOK CRIMPIT™	SD045569-01
C (DIE W-C)	YC-A	CRIMPIT™	SD027166-01, SD028962-01
	YC-C	CRIMPIT™	SE090670-01, SD029759-01
	YCB	STIRRUP™CONNECTOR	SD029790
	YDS-L	UNISPLICE™-TENSION	SD034930-01
	YDS-LY	UNISPLICE™-TENSION	SD053576-01
	YTU	T-TAP	SD031286
	YTUA-R-N	T-TAP	SD033697-01
	YLU-R	ELTAP	SD021071
D3 (FIXED GROOVE)	YP-U	CABELOK CRIMPIT™	SD045569-01
BG (DIE W-BG)	ES	INSULINK™	SD040874
	YCB	STIRRUP™CONNECTOR	SD029790
	YDS-L	UNISPLICE™-TENSION	SD034930-01
	YDS-LY	UNISPLICE™-TENSION	SD053576-01
	YDS-T	SERVICE HYSPLICE™	SC031169-01
	YEP	BYTAP	SC028493-01
	YLU	ELTAP	SD021071
	YSS	SERVICE HYSPLICE™	SC031169-01
	YSU	LINKITS™	SD052025
	YTU-R-R	T-TAP	SD031286, SD031528
	YC-A	CRIMPIT™	SD027166-01, SD028962-01
	YC-C	CRIMPIT™	SD090670-01, SD029759-01

ACCESSORIES		
CAT. NO.	QTY	DESCRIPTION
PT4925	1	HYTOOL™ CANVAS BAG MD6
MD6CPI	1	PROTECTIVE JAW COVERS
CASEWDIES	1	CASE, FOR W-DIES
PT49521	1	CARRYING CASE

REV.	DATE	DESCRIPTION	ECO	BY	C'H'K.
A	02/20/2013 00:00:00 AM	DRAWING REDRAW PROCESS	30565	DD	MB

REV: PE0200

TO ORDER BURNDY® PRODUCTS CALL		HYTOOL™	
UNITED STATES: 1-800-346-4175 (LONDONDERRY, NH)		ITEM NO: 464655	CAT. NO: MD68
CANADA: 1-800-361-6975 (QUEBEC) 1-800-387-6487 (ALL OTHER PROVINCES)		DRAWN BY: J.R.H. 08/19/67	CHECKER: CAR 08/19/67
FOR PRODUCT INFO: http://www.burndy.com		DSN APPVL: --	MFG APPVL: --
		QA APPVL: --	MKT APPVL: --
		PROD FAM: --	SCALE: NTS
		PROJECT #: --	DRAWING NO
		DOCUMENT TYPE: Sales	REV
		REL LEVEL: Released	SIZE B
			SE068728
			SHEET 2 OF 2
			A

