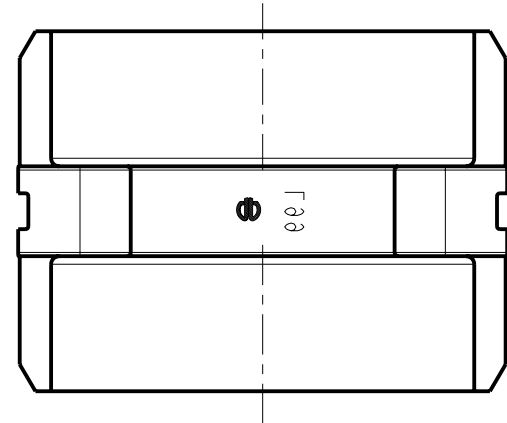
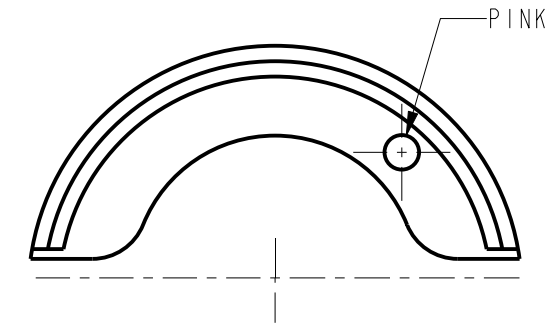
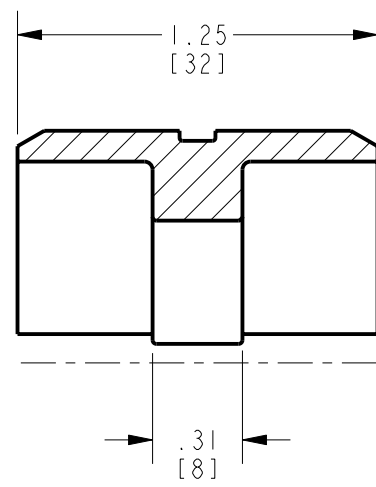
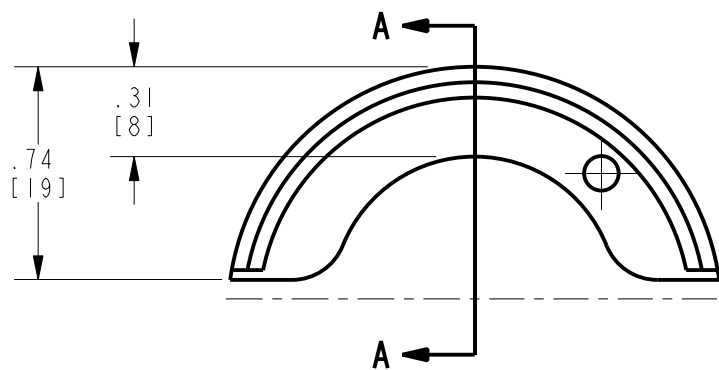
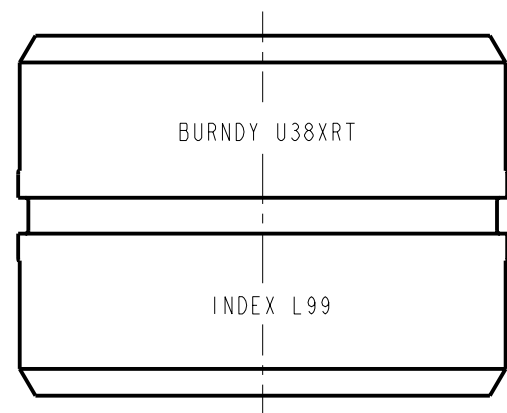


REV.	DATE	DESCRIPTION	ECO	BY	C'H'K.
A	6/22/2009 9:00:00 PM	NEW SALES DRAWING RELEASE	18373	IA	BSK



NOTES:

1. DIMENSIONS IN BRACKETS [] ARE IN MILLIMETERS ROUNDED OFF TO THE NEAREST MILLIMETER, UNLESS OTHERWISE SPECIFIED, AND ARE FOR REFERENCE ONLY.
2. DIE INSPECTION GAGE CATALOG NUMBER (CUSTOMER & ENGINEERING USE ONLY): UPGL99.
3. MATERIAL: STAINLESS STEEL.
4. WIRE SIZE(CU.): 535 KCMIL FLEX.

TO ORDER BURNDY® PRODUCTS CALL
 UNITED STATES:
 1-800-346-4175 (LONDONDERRY, NH)
 CANADA:
 1-800-361-6975 (QUEBEC)
 1-800-387-6487 (ALL OTHER PROVINCES)
 FOR PRODUCT INFO: <http://www.burndy.com>

CIRCULAR NON-BUTTING TWIN DIE	
ITEM NO:	--
CAT. NO:	U38XRT
DRAWN BY:	I. ANBALAGAN 06/22/09
CHECKER:	--
DSN APPVL:	--
MFG APPVL:	--
QA APPVL:	--
MKT APPVL:	--
PROD FAM:	TOOLS-HYDRAULIC/U-DIES
PROJECT #:	--
DOCUMENT TYPE:	Sales
REL LEVEL:	Released

SCALE:	3:2
DRAWING NO:	10102826
REV:	A
SHEET:	1 OF 1

REV: PE0200