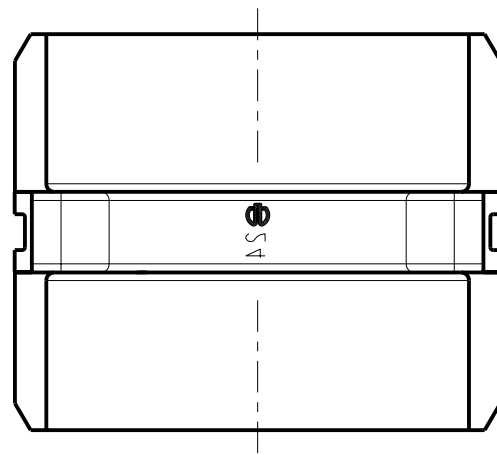
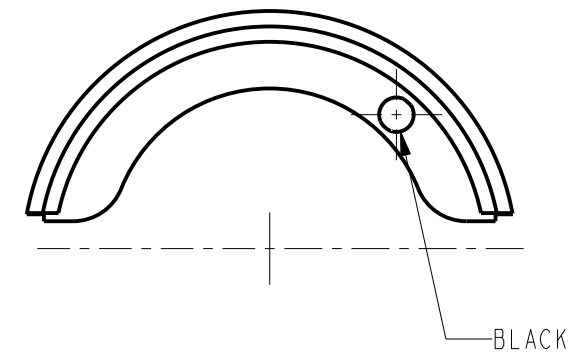
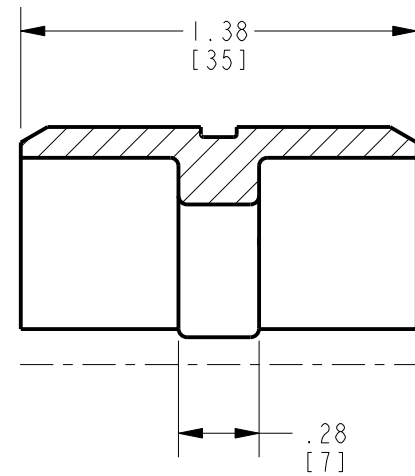
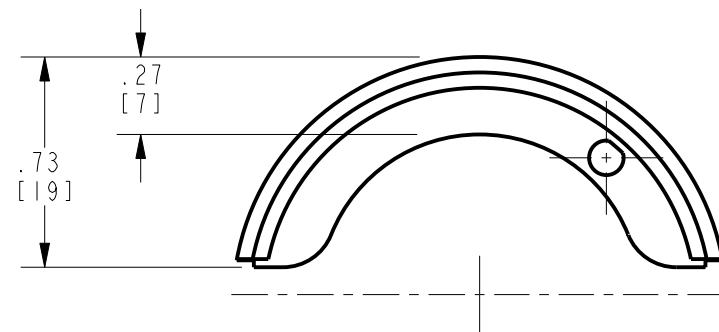
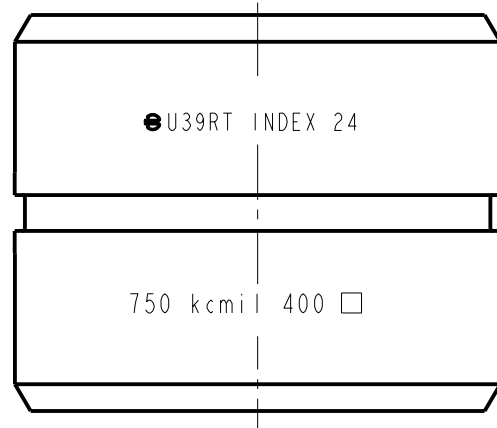


REV.	DATE	DESCRIPTION	ECO	BY	C'H'K.
B	05/02/2013 21:00:00 PM	UPDATE AS PER MARKUPS	31294	MG	JG



SECTION A-A

NOTES:

- DIMENSIONS IN BRACKETS [ ] ARE IN MILLIMETERS ROUNDED OFF TO THE NEAREST MILLIMETER, UNLESS OTHERWISE SPECIFIED, AND ARE FOR REFERENCE ONLY.
- DIE INSPECTION GAGE CATALOG NUMBER (CUSTOMER & ENGINEERING USE ONLY): UPG24.
- MATERIAL: STAINLESS STEEL.
- WIRE SIZE(CU.): 750 KCMIL / 600 FLEX (400 mm<sup>2</sup>).

TO ORDER BURNDY® PRODUCTS CALL  
 UNITED STATES:  
 1-800-346-4175 (LONDONDERRY, NH)  
 CANADA:  
 1-800-361-6975 (QUEBEC)  
 1-800-387-6487 (ALL OTHER PROVINCES)  
 FOR PRODUCT INFO: <http://www.burndy.com>

CIRCULAR NON-BUTTING TWIN DIE	
ITEM NO: --	
CAT. NO: U39RT	
DRAWN BY: I. ANBALAGAN 06/22/09	
CHECKER: --	
DSN APPVL: --	
MFG APPVL: --	
QA APPVL: --	
MKT APPVL: --	
PROD FAM: TOOLS-HYDRAULIC/U-DIES	SCALE: 3:2
PROJECT #: --	DRAWING NO
DOCUMENT TYPE: Sales	REV
REL LEVEL: Released	



REV: PE0200