

SIEMENS

Ingenuity for life

TPS3 03

Type 1 Surge Protective Device (SPD) Mounts External to Electrical Distribution Equipment

Features:

- UL 1449 4th Edition Listed Type 1, CSA 22.2 No. 269.1
- Type 1 SPD
- Mounts external to electrical distribution equipment
 - Recommended for Line Side or Load Side Applications
- Bracket included for multiple mounting options
- Large-block 34 mm square MOVs
- 20 kA I_n
- 200 kA SCCR (most models)
- All UL required OCP & safety coordination included
 - Type 1 SPDs intended for Line or Load side of Main Disconnect
- UL96A Lightning Protection Master Label compliant
- Designed, manufactured and tested consistent with:
 - ANSI/IEEE C62.41.1-2002, C62.41.2-2002, C62.45-2002, C62.62-2010, C62.72-2016 & CSA C22.2 No. 269.1
 - 1992/2000 NEMA LS-1
 - NEC Article 285
 - IEC 61643, CE
- 5 year warranty

SPD Specifications

- Surge Current Rating Per Phase

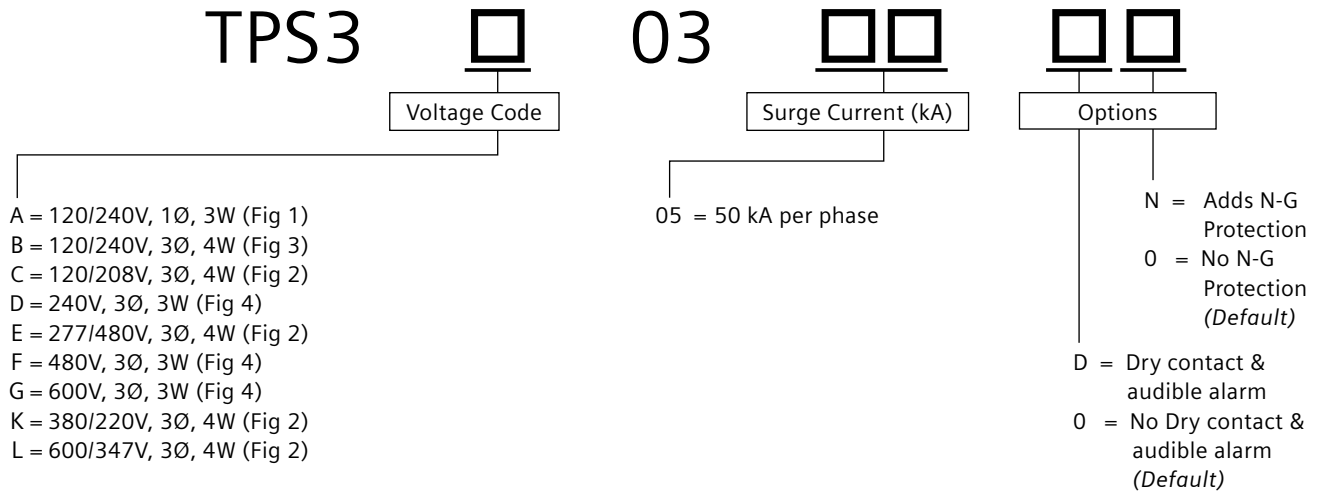
Per Phase	L-N (L-G: Delta)
50 kA	50 kA
- 100% monitoring (Every MOV is monitored)
- Individually fused and thermally protected MOVs
- Solid state bi-directional operation
- Repetitive impulse: 5000 - 3kA - 8 x 20 μ s; 1000 - 10kA - 8 x 20 μ s
- Less than 1 nanosecond response time
- Relative humidity range: 0-95% non-condensing
- Operating frequency: 47-63 Hz
- Peak Operating temperature: +85°C (185°F)
- Operating temperature: -40°C (-40°F) to +60°C (140°F)

Standard Configuration

- Standard NEMA 4X polycarbonate enclosure (UL 746C (f1), UL 94-5VA)
 - Wire size: Prewired with 3' (91.4 cm) of #10 AWG
 - Standard size: 3.25" x 3.25" x 3.3" (82.6 mm x 82.6 mm x 83.8 mm)
 - Standard weight: 2 lb. (0.9 kg)
- #### SPD Monitoring
- LED indicators
- #### Options
- N-G protection
 - Dry Contact & Audible Alarm (Dry Contact connection leads exit through nipple via #18 AWG)



Ordering Information



Example: TPS3C0305D0 = Type 1 SPD for a 208/120V application with a surge current capacity of 50 kA per phase, in a standard NEMA 4X enclosure with dry contacts and audible alarm option

**Available Accessories:
 Ordered Separately**
 RMSIE = Remote monitor

UL 1449 Fourth Edition - Test Data Voltage Protection Rating (VPR - 6 kV, 3 kA)

Voltage Code	Service Voltage	L-N	L-G*	N-G*	L-L	I _n	SCCR	MCOV
A	120/240V, 1Ø, 3W (Fig 1)	700	1200*	600*	1200	20 kA	200 kA	150
B	120/240V, 3Ø, 4W (Fig 3)	700/1200	1200/1500*	600*	1200/1500	20 kA	200 kA	150/320
C	120/208V, 3Ø, 4W (Fig 2)	700	1200*	600*	1200	20 kA	200 kA	150
D	240V, 3Ø, 3W (Fig 4)	—	1200	—	1500	20 kA	200 kA	320
E	277/480V, 3Ø, 4W (Fig 2)	1200	1800*	1000*	2000	20 kA	200 kA	320
F	480V, 3Ø, 3W (Fig 4)	—	1800	—	3000	20 kA	200 kA	550
G	600V, 3Ø, 3W (Fig 4)	—	1200	—	1500	20 kA	200 kA	690
K	380/220V, 3Ø, 4W (Fig 2)	1200	1800*	1000*	2000	20 kA	200 kA	320
L	600/347V, 3Ø, 4W (Fig 2)	1500	2500*	1200*	2500	20 kA	200 kA	420

*with optional N-G protection

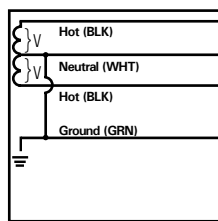


Figure 1

Split
 2 Hots, 1 Neu, 1 Grnd

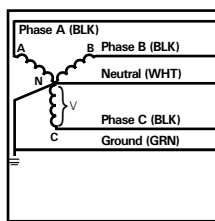


Figure 2

Wye
 3 Hots, 1 Neu, 1 Grnd

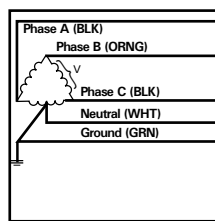


Figure 3

Hi-Leg Delta (B High)
 3 Hots, (B High),
 1 Neu, 1 Grnd

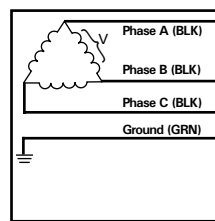


Figure 4

Delta & HRG Wye
 3 Hots, 1 Grnd

Siemens Canada Limited
 1577 North Service Road East
 Oakville, ON L6H 0H6

888-333-3545
info@purgethesurge.com

Order No. EM-LP-1544
 Printed in Canada
 All Rights Reserved.

©2020 Siemens Canada Limited

The technical data presented in this document is based on an actual case or on as-designed parameters, and therefore should not be relied upon for any specific application and does not constitute a performance guarantee for any projects. Actual results are dependent on variable conditions. Accordingly, Siemens does not make representations, warranties, or assurances as to the accuracy, currency or completeness of the content contained herein. If requested, we will provide specific technical data or specifications with respect to any customer's particular applications. Our company is constantly involved in engineering and development. For that reason, we reserve the right to modify, at any time, the technology and product specifications contained herein.