



**HPS Fusion™**  
General Purpose  
Enclosed Transformer

# HPS Fusion™

## General Purpose Enclosed Transformers

### OUR COMPANY

Hammond Power Solutions (HPS) was established in 1917 in Guelph, Ontario and has grown from a small family owned business in the short wave radio market, to the industry leader in magnetic transformer design and manufacturing. HPS has manufacturing facilities in Compton, California; Guelph, Ontario; Walkerton, Ontario; Granby, Quebec; and Monterrey, Mexico. HPS has multiple regional distribution centers throughout North America.

### GENERAL PURPOSE ENCLOSED TRANSFORMER

The HPS Fusion™ line of enclosed transformers are an indoor, cost effective approach ideally suited for single phase, general purpose industrial and light duty loads.

### APPLICATIONS



Process Controls



Panel Shops



Machine Automation



Control Boards



HVAC Panels



Power Timers,  
Solenoids and  
Controllers

### INDUSTRIES



Commercial



Industrial



HVAC

### APPROVALS

- Meets NEMA standards
- CSA Certified (file LR 3902)
- UL Listed (file E50394)
- CE Marked and RoHS Compliant.



### FEATURES AND BENEFITS

- Multi-voltage primary and secondary models increase range of applications per unit.
- Standard molded terminal blocks on primary and secondary up to 3000 VA (30A) units.
- Solid terminal block with standard combination screw connections.
- 50/60 Hz (60 Hz on FS\*\*\*ACP and FS\*\*\*AR).
- Copper wound coils with high dielectric strength insulation.
- Bolted core construction.
- Vacuum Impregnated with Polyester Resin and oven cured.
- Superior insulating materials:
  - 130°C (50-1500 VA) - Class B 95°C Temperature Rise
  - 180°C (2000-5000 VA) - Class F 130°C Temperature Rise (Note: Temperature rise based on 25°C ambient)
- All units supplied with primary and secondary voltage links/jumpers.
- Rugged TYPE 1 enclosure with split side covers provides easy access to wiring compartment.
- Finish - green powder coat.
- Primary and secondary ground lug.
- Four (0.88") [22.35 mm] wiring knockouts and four (0.50") [12.7mm] accessory knockouts.
- Optional panel mount fuse holder.
- Easy mounting and installation via four mounting slots and two keyhole slots.
- Most HPS Fusion units incorporate "Premium Packaging" which feature:
  - Premium fluted cartons
  - Custom molded foam inserts
  - Easy removal and repacking
  - Industry's best box label
  - Environmentally neutral
- **15 Year Warranty.**



## Group A

Primary Voltage: 600/480 || 575/460 || 550/440  
 Secondary Voltage: 120 x 240 || 115 x 230 || 110 x 220



60 Hertz

VA	CE VA	Catalog Number	Output Amps	Overall Dimensions in Inches [mm]			Mounting Centers		Mounting Slot G X H	Approx. Ship Weight Lbs.[kg]
				A	B	C	D	E		
50	50	FS50ACP	0.42/0.21	2.70 [68.58]	6.40 [162.56]	3.33 [84.59]	1.66 [42.17]	4.16 [105.67]	0.22 x 0.44 [5.59 x 11.18]	3.0 [1.4]
100	100	FS100ACP	0.83/0.42	3.09 [78.49]	6.30 [160.02]	3.60 [91.44]	2.05 [52.07]	3.50 [88.90]	0.22 x 0.44 [5.59 x 11.18]	4.2 [1.9]
150	150	FS150ACP	1.25/0.63	3.09 [78.49]	6.90 [175.26]	3.60 [91.44]	2.05 [52.07]	4.10 [104.14]	0.22 x 0.44 [5.59 x 11.18]	5.3 [2.4]
250	160	FS250ACP	2.08/1.04	3.90 [99.06]	6.60 [167.64]	4.30 [109.22]	2.52 [64.01]	3.90 [99.06]	0.22 x 0.44 [5.59 x 11.18]	7.6 [3.5]
350	250	FS350ACP	2.92/1.46	3.90 [99.06]	7.00 [177.80]	4.30 [109.22]	2.52 [64.01]	4.30 [109.22]	0.22 x 0.44 [5.59 x 11.18]	8.7 [4.0]
500	300	FS500ACP	4.17/2.08	4.60 [116.84]	7.20 [182.88]	4.60 [116.84]	3.30 [83.82]	4.50 [114.30]	0.31 x 0.81 [7.88 x 20.58]	13.3 [6.0]
750	500	FS750ACP	6.25/3.13	5.60 [142.24]	7.60 [193.04]	5.10 [129.54]	4.00 [101.60]	4.90 [124.46]	0.31 x 0.81 [7.88 x 20.58]	20.3 [9.2]
1000	650	FS1000ACP	8.33/4.17	5.60 [142.24]	8.00 [203.20]	5.10 [129.54]	4.00 [101.60]	5.30 [134.62]	0.31 x 0.81 [7.88 x 20.58]	22.9 [10.4]
1500	1000	FS1500ACP	12.5/6.25	5.60 [142.24]	9.40 [238.76]	5.10 [129.54]	4.00 [101.60]	6.70 [170.18]	0.31 x 0.81 [7.88 x 20.58]	30.3 [13.7]
2000	1300	FS2000ACP	16.7/8.33	6.60 [167.64]	9.10 [231.14]	6.00 [152.40]	5.10 [129.54]	5.70 [144.78]	0.31 x 0.81 [7.88 x 20.58]	37.1 [16.7]
3000	2000	FS3000ACP	25.0/12.5	7.80 [198.12]	11.30 [287.02]	6.70 [170.18]	6.30 [160.02]	6.90 [175.26]	0.31 x 0.81 [7.88 x 20.58]	64.0 [28.8]
5000	3000	FS5000ACP	41.7/20.8	9.30 [236.22]	14.90 [378.46]	8.00 [203.20]	7.10 [180.34]	7.30 [185.42]	0.31 x 0.81 [7.88 x 20.58]	99.7 [44.9]

## Group B

Primary Voltage: 600 || 575 || 550  
 Secondary Voltage: 12 x 24 || 11.5 x 23 || 11 x 22



60 Hertz

VA	CE VA	Catalog Number	Output Amps	Overall Dimensions in Inches [mm]			Mounting Centers		Mounting Slot G X H	Approx. Ship Weight Lbs.[kg]
				A	B	C	D	E		
50	50	FS50AR	4.17/2.08	2.70 [68.58]	5.80 [147.32]	3.33 [84.59]	1.66 [42.17]	3.58 [90.94]	0.22 x 0.44 [5.59 x 11.18]	2.3 [1.1]
100	100	FS100AR	8.33/4.17	3.09 [78.49]	6.30 [160.02]	3.60 [91.44]	2.05 [52.07]	3.50 [88.90]	0.22 x 0.44 [5.59 x 11.18]	4.2 [1.9]
150	150	FS150AR	12.5/6.25	3.09 [78.49]	6.70 [170.18]	3.60 [91.44]	2.05 [52.07]	3.90 [99.06]	0.22 x 0.44 [5.59 x 11.18]	4.8 [2.2]
250	160	FS250AR	20.8/10.4	3.90 [99.06]	6.20 [157.48]	4.30 [109.22]	2.52 [64.01]	3.50 [88.90]	0.22 x 0.44 [5.59 x 11.18]	6.4 [2.9]
350	250	FS350AR	29.2/14.6	3.90 [99.06]	6.80 [172.72]	4.30 [109.22]	2.52 [64.01]	4.10 [104.14]	0.22 x 0.44 [5.59 x 11.18]	8.3 [3.8]
500	300	FS500AR	41.7/20.8	4.60 [116.84]	6.80 [172.72]	4.10 [104.14]	3.30 [83.82]	4.50 [114.30]	0.31 x 0.81 [7.88 x 20.58]	11.8 [5.4]

CE VA Rating; Derated to meet CE requirements.  
 Primary and Secondary voltage links/jumpers supplied standard with all transformers.  
 Special voltages and VA sizes available upon request.  
 \* See page 10 for dimensional drawings.

# HPS Fusion™

## General Purpose Enclosed Transformers

### Group C

Primary Voltage: 240 x 480 || 230 x 460 || 220 x 440  
 Secondary Voltage: 120 x 240 || 115 x 230 || 110 x 220



50/60 Hertz

VA	CE VA	Catalog Number	Output Amps	Overall Dimensions in Inches [mm]			Mounting Centers		Mounting Slot G X H	Approx. Ship Weight Lbs. [kg]
				A	B	C	D	E		
50	50	FS50MQMJ	0.42/0.21	2.70 [68.58]	5.90 [149.86]	3.33 [84.59]	1.66 [42.17]	3.69 [93.73]	0.22 x 0.44 [5.59 x 11.18]	2.5 [1.2]
100	100	FS100MQMJ	0.83/0.42	3.09 [78.49]	6.30 [160.02]	3.60 [91.44]	2.05 [52.07]	3.50 [88.90]	0.22 x 0.44 [5.59 x 11.18]	3.9 [1.8]
150	150	FS150MQMJ	1.25/0.63	3.09 [78.49]	6.90 [175.26]	3.60 [91.44]	2.05 [52.07]	4.10 [104.14]	0.22 x 0.44 [5.59 x 11.18]	5.2 [2.4]
250	160	FS250MQMJ	2.08/1.04	3.90 [99.06]	6.60 [167.64]	4.30 [109.22]	2.52 [64.01]	3.90 [99.06]	0.22 x 0.44 [5.59 x 11.18]	7.7 [3.5]
350	250	FS350MQMJ	2.92/1.46	3.90 [99.06]	7.20 [182.88]	4.30 [109.22]	2.52 [64.01]	4.90 [124.46]	0.22 x 0.44 [5.59 x 11.18]	9.4 [4.3]
500	300	FS500MQMJ	4.17/2.08	4.60 [116.84]	7.20 [182.88]	4.60 [116.84]	3.30 [83.82]	4.50 [114.30]	0.31 x 0.81 [7.88 x 20.58]	13.2 [6.0]
750	500	FS750MQMJ	6.25/3.13	5.60 [142.24]	7.20 [182.88]	5.10 [129.54]	4.00 [101.60]	4.50 [114.30]	0.31 x 0.81 [7.88 x 20.58]	18.0 [8.1]
1000	650	FS1000MQMJ	8.33/4.17	5.60 [142.24]	8.00 [203.20]	5.10 [129.54]	4.00 [101.60]	5.30 [134.62]	0.31 x 0.81 [7.88 x 20.58]	22.8 [10.3]
1500	1000	FS1500MQMJ	12.5/6.25	6.60 [167.64]	8.50 [215.90]	6.00 [152.40]	5.10 [129.54]	5.10 [129.54]	0.31 x 0.81 [7.88 x 20.58]	31.1 [14.0]
2000	1300	FS2000MQMJ	16.7/8.33	6.60 [167.64]	9.10 [231.14]	6.00 [152.40]	5.10 [129.54]	5.70 [144.78]	0.31 x 0.81 [7.88 x 20.58]	38.1 [17.2]
3000	2000	FS3000MQMJ	25.0/12.5	7.80 [198.12]	11.70 [297.18]	6.70 [170.18]	6.30 [160.02]	7.30 [185.42]	0.31 x 0.81 [7.88 x 20.58]	68.5 [30.9]
5000	3000	FS5000MQMJ	41.7/20.8	9.30 [236.22]	15.10 [383.54]	8.00 [203.20]	7.40 [187.96]	7.30 [185.42]	0.31 x 0.81 [7.88 x 20.58]	104 [46.9]

### Group D

Primary Voltage: 240 x 480 || 230 x 460 || 220 x 440  
 Secondary Voltage: 12 x 24 || 11.5 x 23 || 11 x 22



50/60 Hertz

VA	CE VA	Catalog Number	Output Amps	Overall Dimensions in Inches [mm]			Mounting Centers		Mounting Slot G X H	Approx. Ship Weight Lbs. [kg]
				A	B	C	D	E		
50	50	FS50QR	4.17/2.08	2.70 [68.58]	5.90 [149.86]	3.33 [84.59]	1.66 [42.17]	3.69 [93.73]	0.22 x 0.44 [5.59 x 11.18]	2.5 [1.2]
100	100	FS100QR	8.33/4.17	3.09 [78.49]	6.10 [154.94]	3.60 [91.44]	2.05 [52.07]	3.35 [85.09]	0.22 x 0.44 [5.59 x 11.18]	3.9 [1.8]
150	150	FS150QR	12.5/6.25	3.09 [78.49]	6.90 [175.26]	3.60 [91.44]	2.05 [52.07]	4.10 [104.14]	0.22 x 0.44 [5.59 x 11.18]	5.2 [2.4]
250	160	FS250QR	20.8/10.4	3.90 [99.06]	6.60 [167.64]	4.30 [109.22]	2.52 [64.01]	3.90 [99.06]	0.22 x 0.44 [5.59 x 11.18]	7.7 [3.5]
350	250	FS350QR	29.2/14.6	3.90 [99.06]	7.20 [182.88]	4.30 [109.22]	2.52 [64.01]	4.90 [124.46]	0.22 x 0.44 [5.59 x 11.18]	9.5 [4.3]
500	300	FS500QR	41.7/20.8	4.60 [116.84]	7.20 [182.88]	4.60 [116.84]	3.30 [83.82]	4.50 [114.30]	0.31 x 0.81 [7.88 x 20.58]	13.4 [6.1]

### Group E

Primary Voltage: 380/347  
 Secondary Voltage: 120 x 240



50/60 Hertz

VA	CE VA	Catalog Number	Output Amps	Overall Dimensions in Inches [mm]			Mounting Centers		Mounting Slot G X H	Approx. Ship Weight Lbs. [kg]
				A	B	C	D	E		
50	50	FS50KHP	0.42/0.21	2.70 [68.58]	5.90 [149.86]	3.33 [84.59]	1.66 [42.17]	3.69 [93.73]	0.22 x 0.44 [5.59 x 11.18]	2.5 [1.2]
100	100	FS100KHP	0.83/0.42	3.09 [78.49]	6.30 [160.02]	3.60 [91.44]	2.05 [52.07]	3.50 [88.90]	0.22 x 0.44 [5.59 x 11.18]	4.3 [2.0]
150	150	FS150KHP	1.25/0.63	3.09 [78.49]	6.90 [175.26]	3.60 [91.44]	2.05 [52.07]	4.10 [104.14]	0.22 x 0.44 [5.59 x 11.18]	5.3 [2.4]
250	160	FS250KHP	2.08/1.04	3.90 [99.06]	6.60 [167.64]	4.30 [109.22]	2.52 [64.01]	3.90 [99.06]	0.22 x 0.44 [5.59 x 11.18]	7.9 [3.6]
350	250	FS350KHP	2.92/1.46	3.90 [99.06]	7.20 [182.88]	4.30 [109.22]	2.52 [64.01]	4.90 [124.46]	0.22 x 0.44 [5.59 x 11.18]	9.6 [4.4]
500	300	FS500KHP	4.17/2.08	4.60 [116.84]	7.20 [182.88]	4.60 [116.84]	3.30 [83.82]	4.50 [114.30]	0.31 x 0.81 [7.88 x 20.58]	13.6 [6.2]
750	500	FS750KHP	6.25/3.13	5.60 [142.24]	7.20 [182.88]	5.10 [129.54]	4.00 [101.60]	4.50 [114.30]	0.31 x 0.81 [7.88 x 20.58]	19.0 [8.6]
1000	650	FS1000KHP	8.33/4.17	5.60 [142.24]	8.00 [203.20]	5.10 [129.54]	4.00 [101.60]	5.30 [134.62]	0.31 x 0.81 [7.88 x 20.58]	23.5 [10.6]
1500	1000	FS1500KHP	12.5/6.25	6.60 [167.64]	8.50 [215.90]	6.00 [152.40]	5.10 [129.54]	5.10 [129.54]	0.31 x 0.81 [7.88 x 20.58]	31.6 [14.3]

## Group F

Primary Voltage: 380/347  
 Secondary Voltage: 12 x 24



50/60 Hertz

VA	CE VA	Catalog Number	Output Amps	Overall Dimensions in Inches [mm]			Mounting Centers		Mounting Slot G X H	Approx. Ship Weight Lbs. [kg]
				A	B	C	D	E		
50	50	FS50KHR	4.17/2.08	2.70 [68.58]	5.90 [149.86]	3.33 [84.59]	1.66 [42.17]	3.69 [93.73]	0.22 x 0.44 [5.59 x 11.18]	2.5 [1.2]
100	100	FS100KHR	8.33/4.17	3.09 [78.49]	6.30 [160.02]	3.60 [91.44]	2.05 [52.07]	3.50 [88.90]	0.22 x 0.44 [5.59 x 11.18]	4.2 [1.9]
150	150	FS150KHR	12.5/6.25	3.09 [78.49]	6.90 [175.26]	3.60 [91.44]	2.05 [52.07]	4.10 [104.14]	0.22 x 0.44 [5.59 x 11.18]	5.3 [2.4]
250	160	FS250KHR	20.8/10.4	3.90 [99.06]	6.60 [167.64]	4.30 [109.22]	2.52 [64.01]	3.90 [99.06]	0.22 x 0.44 [5.59 x 11.18]	7.6 [3.5]
350	250	FS350KHR	29.2/14.6	3.90 [99.06]	7.20 [182.88]	4.30 [109.22]	2.52 [64.01]	4.90 [124.46]	0.22 x 0.44 [5.59 x 11.18]	9.3 [4.2]
500	300	FS500KHR	41.7/20.8	4.60 [116.84]	7.20 [182.88]	4.60 [116.84]	3.30 [83.82]	4.50 [114.30]	0.31 x 0.81 [7.88 x 20.58]	13.2 [6.0]

## Group G

Primary Voltage: 277  
 Secondary Voltage: 120



50/60 Hertz

VA	CE VA	Catalog Number	Output Amps	Overall Dimensions in Inches [mm]			Mounting Centers		Mounting Slot G X H	Approx. Ship Weight Lbs.[kg]
				A	B	C	D	E		
50	50	FS50NJ	0.42	2.70 [68.58]	5.90 [149.86]	3.33 [84.59]	1.66 [42.17]	3.69 [93.73]	0.22 x 0.44 [5.59 x 11.18]	2.4 [1.1]
100	100	FS100NJ	0.83	3.09 [78.49]	6.10 [154.94]	3.60 [91.44]	2.05 [52.07]	3.35 [85.09]	0.22 x 0.44 [5.59 x 11.18]	4.1 [1.9]
150	150	FS150NJ	1.25	3.09 [78.49]	6.90 [175.26]	3.60 [91.44]	2.05 [52.07]	4.10 [104.14]	0.22 x 0.44 [5.59 x 11.18]	5.2 [2.4]
250	160	FS250NJ	2.08	3.90 [99.06]	6.60 [167.64]	4.30 [109.22]	2.52 [64.01]	3.90 [99.06]	0.22 x 0.44 [5.59 x 11.18]	7.6 [3.5]
350	250	FS350NJ	2.92	3.90 [99.06]	7.20 [182.88]	4.30 [109.22]	2.52 [64.01]	4.90 [124.46]	0.22 x 0.44 [5.59 x 11.18]	9.3 [4.2]
500	300	FS500NJ	4.17	4.60 [116.84]	7.20 [182.88]	4.60 [116.84]	3.30 [83.82]	4.50 [114.30]	0.31 x 0.81 [7.88 x 20.58]	13.3 [6.0]
750	500	FS750NJ	6.25	5.60 [142.24]	7.60 [193.04]	5.10 [129.54]	4.00 [101.60]	4.90 [124.46]	0.31 x 0.81 [7.88 x 20.58]	20.1 [9.1]
1000	650	FS1000NJ	8.33	5.60 [142.24]	8.00 [203.20]	5.10 [129.54]	4.00 [101.60]	5.30 [134.62]	0.31 x 0.81 [7.88 x 20.58]	22.8 [10.3]
1500	1000	FS1500NJ	12.50	5.60 [142.24]	9.40 [238.76]	5.10 [129.54]	4.00 [101.60]	6.70 [170.18]	0.31 x 0.81 [7.88 x 20.58]	31.1 [14.0]

## Group H

Primary Voltage: 120 x 240 || 115 x 230 || 110 x 220  
 Secondary Voltage: 12 x 24 || 11.5 x 23 || 11 x 22



50/60 Hertz

VA	CE VA	Catalog Number	Output Amps	Overall Dimensions in Inches [mm]			Mounting Centers		Mounting Slot G X H	Approx. Ship Weight Lbs. [kg]
				A	B	C	D	E		
50	50	FS50PR	4.17/2.08	2.70 [68.58]	5.90 [149.86]	3.33 [84.59]	1.66 [42.17]	3.69 [93.73]	0.22 x 0.44 [5.59 x 11.18]	2.5 [1.2]
100	100	FS100PR	8.33/4.17	3.09 [78.49]	6.10 [154.94]	3.60 [91.44]	2.05 [52.07]	3.35 [85.09]	0.22 x 0.44 [5.59 x 11.18]	3.9 [1.8]
150	150	FS150PR	12.5/6.25	3.09 [78.49]	6.90 [175.26]	3.60 [91.44]	2.05 [52.07]	4.10 [104.14]	0.22 x 0.44 [5.59 x 11.18]	5.2 [2.4]
250	160	FS250PR	20.8/10.4	3.90 [99.06]	6.40 [162.56]	4.30 [109.22]	2.52 [64.01]	3.70 [93.98]	0.22 x 0.44 [5.59 x 11.18]	7.1 [3.2]
350	250	FS350PR	29.2/14.6	3.90 [99.06]	7.20 [182.88]	4.30 [109.22]	2.52 [64.01]	4.90 [124.46]	0.22 x 0.44 [5.59 x 11.18]	9.4 [4.3]
500	300	FS500PR	41.7/20.8	4.60 [116.84]	7.20 [182.88]	4.60 [116.84]	3.30 [83.82]	4.50 [114.30]	0.31 x 0.81 [7.88 x 20.58]	13.2 [6.0]

CE VA Rating: Derated to meet CE requirements.  
 Primary and Secondary voltage links/jumpers supplied standard with all transformers.  
 Special voltages and VA sizes available upon request.  
 \* See page 10 for dimensional drawings.

# HPS Fusion™

## General Purpose Enclosed Transformers

### Group I

Primary Voltage: 208 x 416 || 200 x 400 || 190 x 380  
 Secondary Voltage: 120 x 240 || 115 x 230 || 110 x 220



50/60 Hertz

VA	CE VA	Catalog Number	Output Amps	Overall Dimensions in Inches [mm]			Mounting Centers		Mounting Slot G X H	Approx. Ship Weight (Lbs.) [kg]
				A	B	C	D	E		
50	50	FS50SP	0.42/0.21	2.70 [68.58]	5.90 [149.86]	3.33 [84.59]	1.66 [42.17]	3.69 [93.73]	0.22 x 0.44 [5.59 x 11.18]	2.4 [1.1]
100	100	FS100SP	0.83/0.42	3.09 [78.49]	6.10 [154.94]	3.60 [91.44]	2.05 [52.07]	3.35 [85.09]	0.22 x 0.44 [5.59 x 11.18]	3.9 [1.8]
150	150	FS150SP	1.25/0.63	3.09 [78.49]	6.90 [175.26]	3.60 [91.44]	2.05 [52.07]	4.10 [104.14]	0.22 x 0.44 [5.59 x 11.18]	5.2 [2.4]
250	160	FS250SP	2.08/1.04	3.90 [99.06]	6.60 [167.64]	4.30 [109.22]	2.52 [64.01]	3.90 [99.06]	0.22 x 0.44 [5.59 x 11.18]	7.7 [3.5]
350	250	FS350SP	2.92/1.46	3.90 [99.06]	7.20 [182.88]	4.30 [109.22]	2.52 [64.01]	4.90 [124.46]	0.22 x 0.44 [5.59 x 11.18]	9.5 [4.3]
500	300	FS500SP	4.17/2.08	4.60 [116.84]	7.20 [182.88]	4.60 [116.84]	3.30 [83.82]	4.50 [114.30]	0.31 x 0.81 [7.88 x 20.58]	13.3 [6.0]
750	500	FS750SP	6.25/3.13	5.60 [142.24]	7.20 [182.88]	5.10 [129.54]	4.00 [101.60]	4.50 [114.30]	0.31 x 0.81 [7.88 x 20.58]	18.2 [8.2]
1000	650	FS1000SP	8.33/4.17	5.60 [142.24]	8.00 [203.20]	5.10 [129.54]	4.00 [101.60]	5.30 [134.62]	0.31 x 0.81 [7.88 x 20.58]	22.5 [10.2]
1500	1000	FS1500SP	12.5/6.25	6.60 [167.64]	8.50 [215.90]	6.00 [152.40]	5.10 [129.54]	5.10 [129.54]	0.31 x 0.81 [7.88 x 20.58]	30.1 [13.6]

### Group J

Primary Voltage: 208 x 416 || 200 x 400 || 190 x 380  
 Secondary Voltage: 12 x 24 || 11.5 x 23 || 11 x 22



50/60 Hertz

VA	CE VA	Catalog Number	Output Amps	Overall Dimensions in Inches [mm]			Mounting Centers		Mounting Slot G X H	Approx. Ship Weight (Lbs.) [kg]
				A	B	C	D	E		
50	50	FS50SR	4.17/2.08	2.70 [68.58]	5.90 [149.86]	3.33 [84.59]	1.66 [42.17]	3.69 [93.73]	0.22 x 0.44 [5.59 x 11.18]	2.4 [1.1]
100	100	FS100SR	8.33/4.17	3.09 [78.49]	6.10 [154.94]	3.60 [91.44]	2.05 [52.07]	3.35 [85.09]	0.22 x 0.44 [5.59 x 11.18]	4.0 [1.8]
150	150	FS150SR	12.5/6.25	3.09 [78.49]	6.90 [175.26]	3.60 [91.44]	2.05 [52.07]	4.10 [104.14]	0.22 x 0.44 [5.59 x 11.18]	5.2 [2.4]
250	160	FS250SR	20.8/10.4	3.90 [99.06]	6.60 [167.64]	4.30 [109.22]	2.52 [64.01]	3.90 [99.06]	0.22 x 0.44 [5.59 x 11.18]	7.7 [3.5]
350	250	FS350SR	29.2/14.6	3.90 [99.06]	7.20 [182.88]	4.30 [109.22]	2.52 [64.01]	4.90 [124.46]	0.22 x 0.44 [5.59 x 11.18]	9.5 [4.3]
500	300	FS500SR	41.7/20.8	4.60 [116.84]	7.20 [182.88]	4.60 [116.84]	3.30 [83.82]	4.50 [114.30]	0.31 x 0.81 [7.88 x 20.58]	13.3 [6.0]

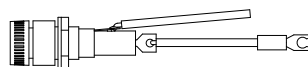
CE VA Rating: Derated to meet CE requirements.  
 Primary and Secondary voltage links/jumpers supplied standard with all transformers.  
 Special voltages and VA sizes available upon request.  
 \* See page 10 for dimensional drawings.

## OPTIONAL ACCESSORIES

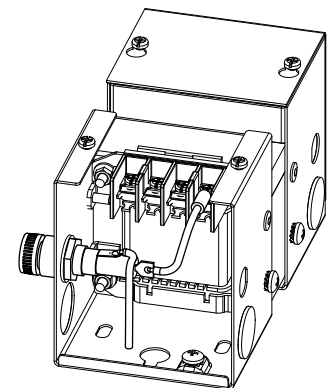
### FUSE HOLDER KIT

- Optional fuse kit specifically designed up to 250 V (25A) units
- Supplied with leads for easy hook-up/installation
- Fuses NOT included in the kit (must be purchased)
- Fuses should be selected in accordance with CSA, UL and local electrical code

Part Number	Applicable Transformer Part Number Suffix's	Applicable Specifications
FSFH1	All	Up to 20 amps and 250V Designed to accept ¼" x 1¼" fuse sizes



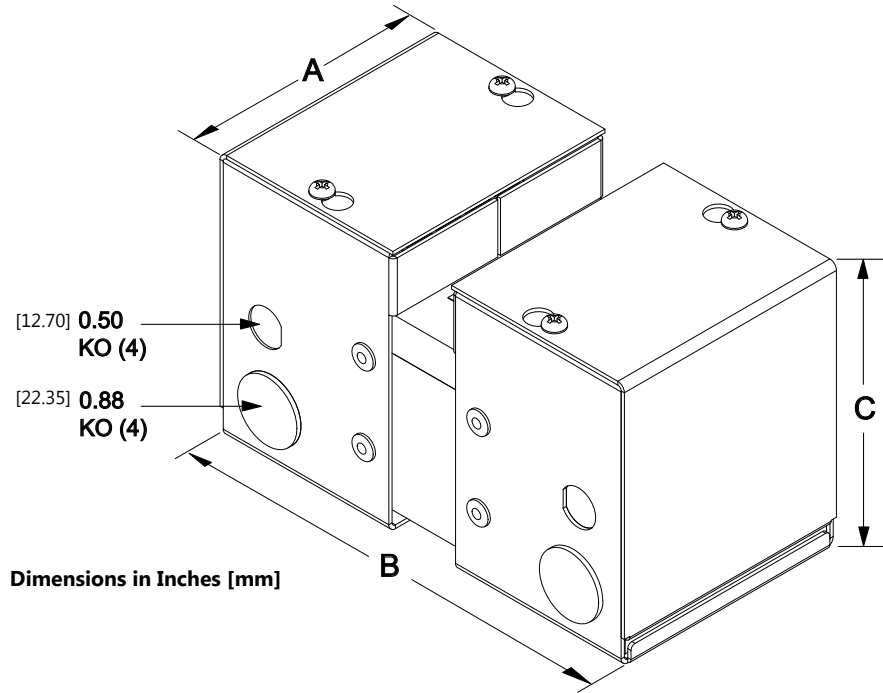
Fuse Holder Kit (Optional)



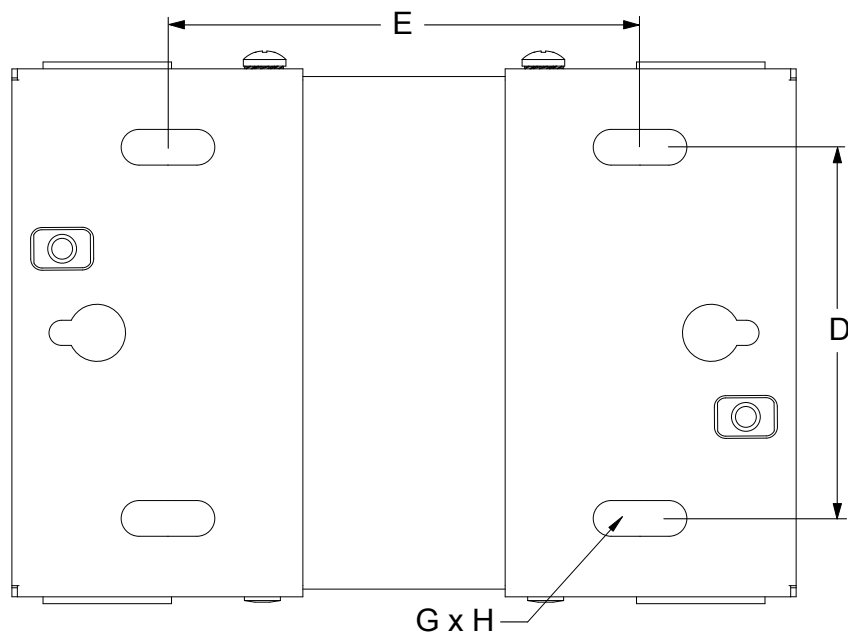
Sample Assembly Drawing for Optional Fuse Holder Installation



## DIMENSIONAL DRAWINGS



**FIGURE A**



**FIGURE B**



**CANADA**

Hammond Power Solutions  
595 Southgate Drive  
Guelph, Ontario N1G 3W6  
Tel: (519) 822-2441  
Fax: (519) 822-9701  
Toll Free: 1-888-798-8882  
sales@hammondpowersolutions.com

**MEXICO**

Hammond Power Solutions  
Av. No. 800, Parque Industrial Guadalupe  
Guadalupe, NL, Mexico, C.P. 67190.  
Tel: (819) 690-8000  
sales@hammondpowersolutions.com

**UNITED STATES**

Hammond Power Solutions  
1100 Lake Street  
Baraboo, Wisconsin 53913-2866  
Tel: (608) 356-3921  
Fax: (608) 355-7623  
Toll Free: 1-866-705-4684  
sales@hammondpowersolutions.com

**ASIA**

Hammond Power Solutions Pvt. Ltd.  
D. No. 5-2/222/IP/B, II-Floor, Icon Plaza  
Allwyn X-Roads, Miyapur, Hyderabad 500 049  
Tel: +91-994-995-0009  
marketing-india@hammondpowersolutions.com

**EMEA (Sales Office)**

Hammond Power Solutions SpA  
Tel: +49 (152) 08800468  
sales-emea@hammondpowersolutions.com

Scan this QR code with your  
smartphone to view additional  
information on the HPS Fusion™.



Literature No.: FUSENC  
Issued Date: July 2021