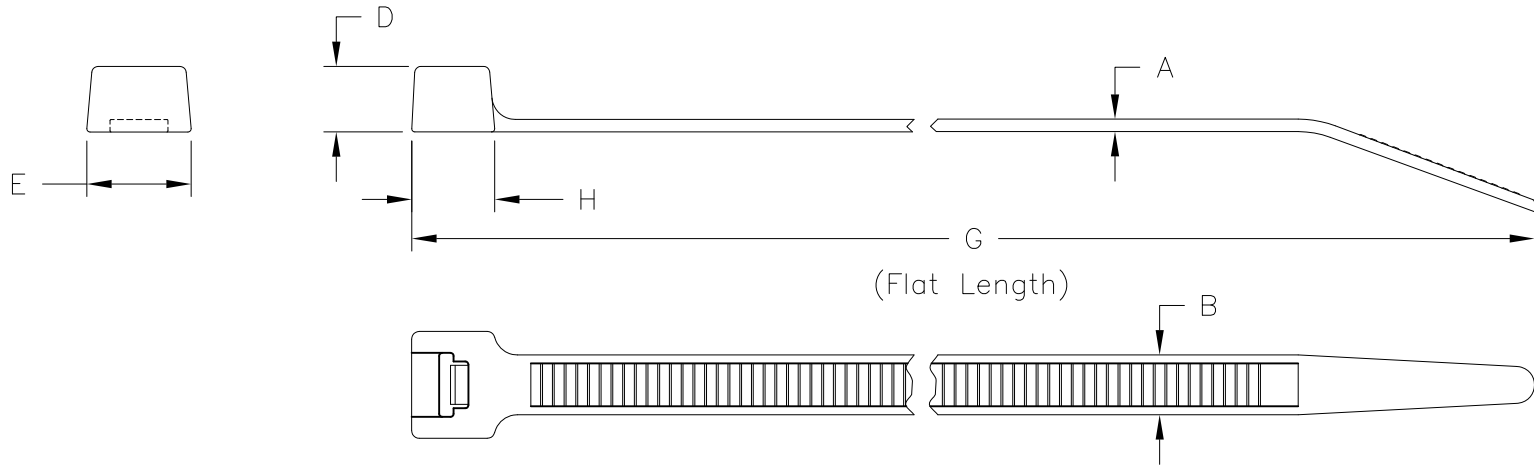


Revision level		Revision Record	Changed	Date	Approved	Date
part	drawing					
—	06	See ECN 012645	A.A.C.	04/11/14	K.A.C.	04/11/14



06

TYPE	Cable Range (mm)	Material	Aerospace Spec. Tie SAE A33671	A	B	D	E	G	H	Min Loop Tensile Strength (newtons)
T120R	5 to 105	PA46	no	1.9 ±0.2	7.6 ±0.2	7.35 ±1.0	12.65 ±1.0	387.0 ±10.0	10.5 ±1.5	535
	15 to 105	PA66VO	no							
	5 to 105	PA66	yes							
	5 to 105	PA66UV	yes							
	5 to 105	PA66HS	no							
	5 to 105	PA66HIRHSUV	no							

SEE CHART

Material

Dimension tolerances unless otherwise specified
 .XXXX =
 .XXX =
 .XX = NOTED
 .X = NOTED
 < =

Dimension Units mm

PERFORMANCE SPECIFICATION

ACAD MECH 2013		Drawn	G.G.G.	11/8/91	Scale 1:1	Computer File Number CT\CST\2120003_06
		Approved	K.A.C.	04/11/14		
HellermannTyton. 7930 N. Faulkner Rd. Milwaukee, WI 53224 Ph: (414) 355-1130 Fx: (414) 362-8338				Title T120R HEAVY DUTY LASHING CABLE TIE		
				Drawing-No CT2120003CST		Format AH
ALL PROPRIETARY RIGHTS IN THE SUBJECT MATTER SHOWN ON THIS DRAWING ARE EXCLUSIVE PROPERTY OF HELLERMANNTYTON				Sheet 1 of 1		