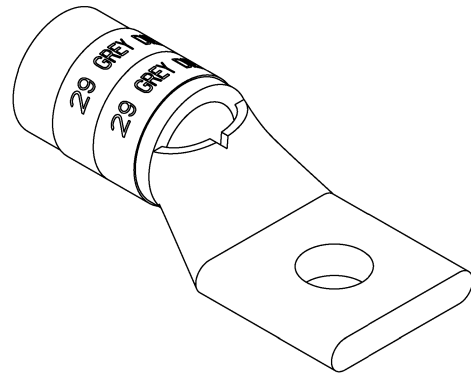
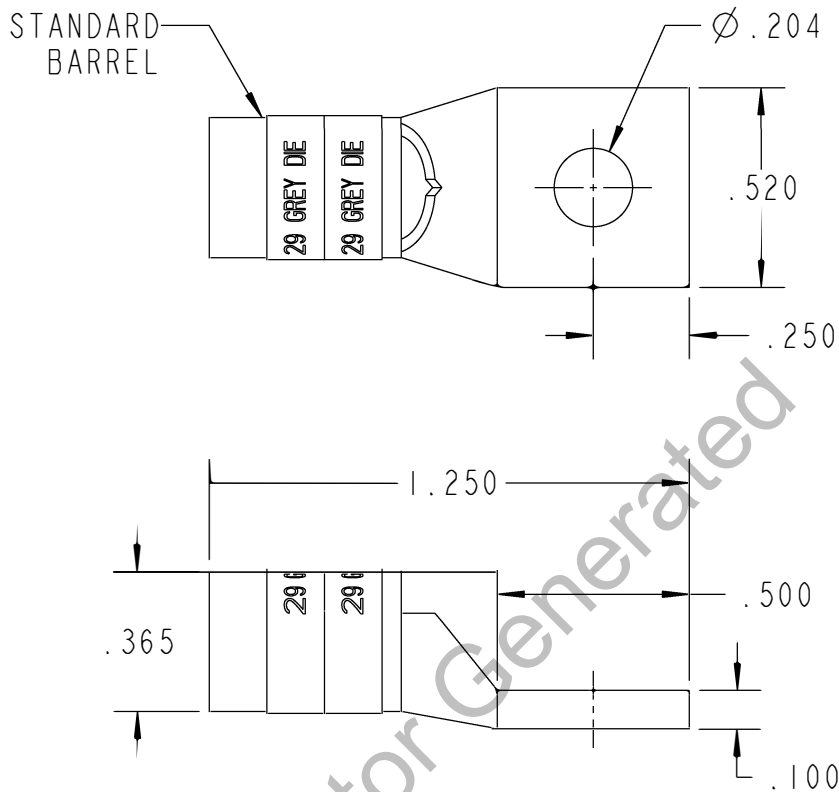


# Color-Keyed<sup>®</sup>

CATALOG NO. 54138



WIRE SIZE: #4 AWG  
 MATERIAL: HIGH CONDUCTIVITY COPPER  
 FINISH: TIN PLATED

<b>GENERAL NOTES</b>		<b>Thomas &amp; Betts</b> <small>www.tnb.com</small>			
1. ALL DIMENSIONS ARE FOR REFERENCE ONLY. 2. DIMENSIONS IN BRACKETS [ ] ARE IN METRIC UNITS.					
<b>REVISIONS</b>		<b>1 HOLE LUG</b>			
** SEE ERN ( **** ) FOR APPROVAL SIGNATURES & RELEASE DATE. PROJECT NO: ****		DESCRIPTION:  ORIGINAL PROJECT NO / ( ERN NO ) / ( )	SHEET NO: 1 OF 1	REV. NO: 0	DRAWING NO: WSD-002000 <b>54138</b>