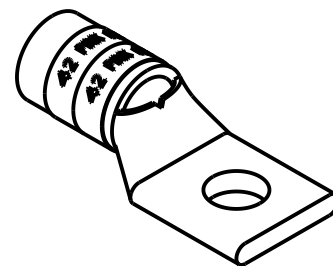
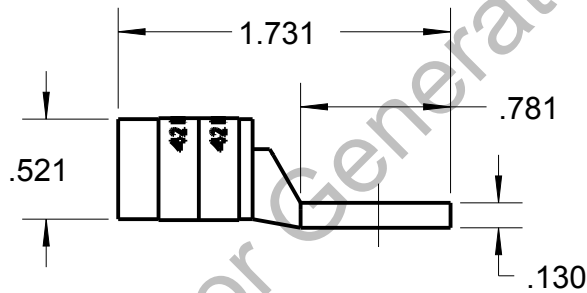
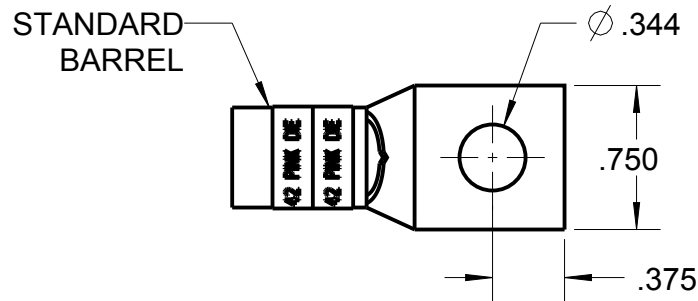



# Blackburn Compression

Featuring the Color-Keyed® System

CATALOG NO. 54153-TB



WIRE SIZE: 1/0  
 MATERIAL: HIGH CONDUCTIVITY COPPER  
 FINISH: TIN PLATED

|   |           |  |                        |  |  |
|---|-----------|--|------------------------|--|--|
| GENERAL NOTES   |           | <br>www.tnb.com |                        |  |  |
| 1. ALL DIMENSIONS ARE FOR REFERENCE ONLY.<br>2. DIMENSIONS IN BRACKETS [ ] ARE IN METRIC UNITS. |           |  |                        |  |  |
| REVISIONS   |           | DESCRIPTION:<br><b>1 HOLE LUG</b>  |                        |  |  |
| ** SEE ERN (****) FOR APPROVAL SIGNATURES & RELEASE DATE. PROJECT NO: ****                      |           |  |                        |  |  |
| ORIGINAL PROJECT NO / (ERN NO)  | SHEET NO: | REV. NO:   | DRAWING NO: WSD-002019 |  |  |
| / ( )   | 1 OF 1    | 0  | 54153-TB               |  |  |