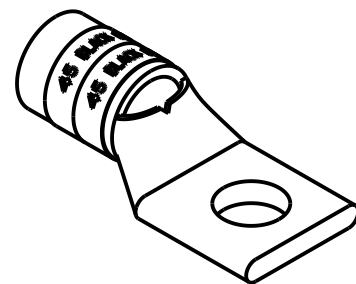
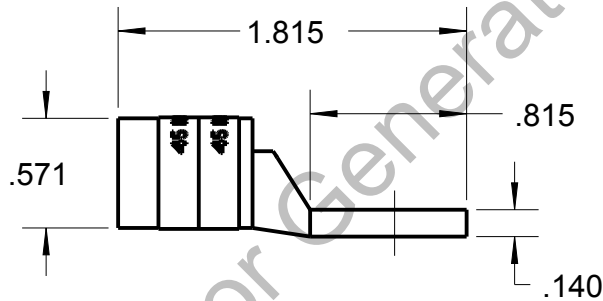
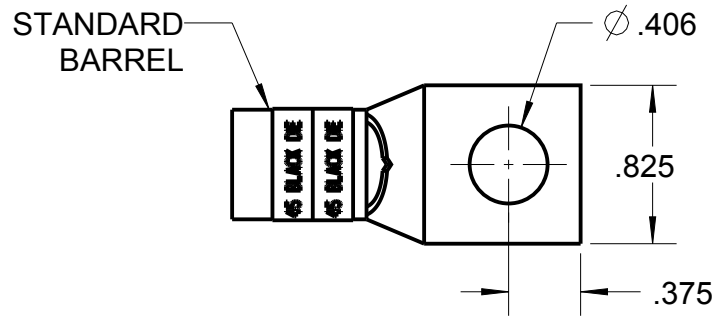



# Blackburn Compression

Featuring the Color-Keyed® System

CATALOG NO. 54110



WIRE SIZE: 2/0  
 MATERIAL: HIGH CONDUCTIVITY COPPER  
 FINISH: TIN PLATED

|   |  |  |           |          |                        |
|---|--|--|-----------|----------|------------------------|
| GENERAL NOTES   |  | <br>www.tnb.com |           |          |                        |
| 1. ALL DIMENSIONS ARE FOR REFERENCE ONLY.<br>2. DIMENSIONS IN BRACKETS [ ] ARE IN METRIC UNITS. |  |  |           |          |                        |
| REVISIONS   |  | DESCRIPTION: 1 HOLE LUG  |           |          |                        |
| ** SEE ERN (****) FOR APPROVAL SIGNATURES & RELEASE DATE. PROJECT NO: ****                      |  | ORIGINAL PROJECT NO / (ERN NO)   | SHEET NO: | REV. NO: | DRAWING NO: WSD-001961 |
|   |  | / ( )  | 1 OF 1    | 0        | 54110                  |