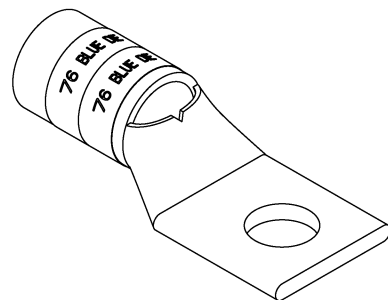
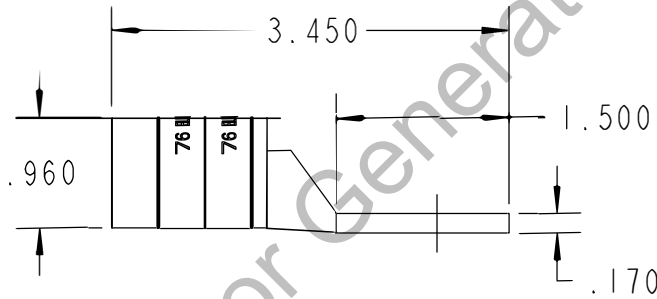
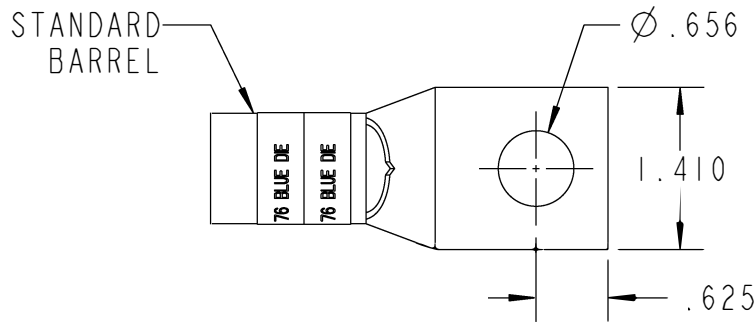


# Color-Keyed<sup>®</sup>

CATALOG NO. 54185



WIRE SIZE: 400 MCM  
 MATERIAL: HIGH CONDUCTIVITY COPPER  
 FINISH: TIN PLATED

Configurator Generated

<b>GENERAL NOTES</b>		<b>Thomas &amp; Betts</b> <small>www.tnb.com</small>				
1. ALL DIMENSIONS ARE FOR REFERENCE ONLY. 2. DIMENSIONS IN BRACKETS [ ] ARE IN METRIC UNITS.						DESCRIPTION: <b>1 HOLE LUG</b>
<b>REVISIONS</b>		ORIGINAL PROJECT NO / ( ERN NO )		SHEET NO:	REV. NO:	DRAWING NO: WSD-002338
** SEE ERN ( **** ) FOR APPROVAL SIGNATURES & RELEASE DATE. PROJECT NO: ****		/ ( )		1 OF 1	B	<b>54185</b>