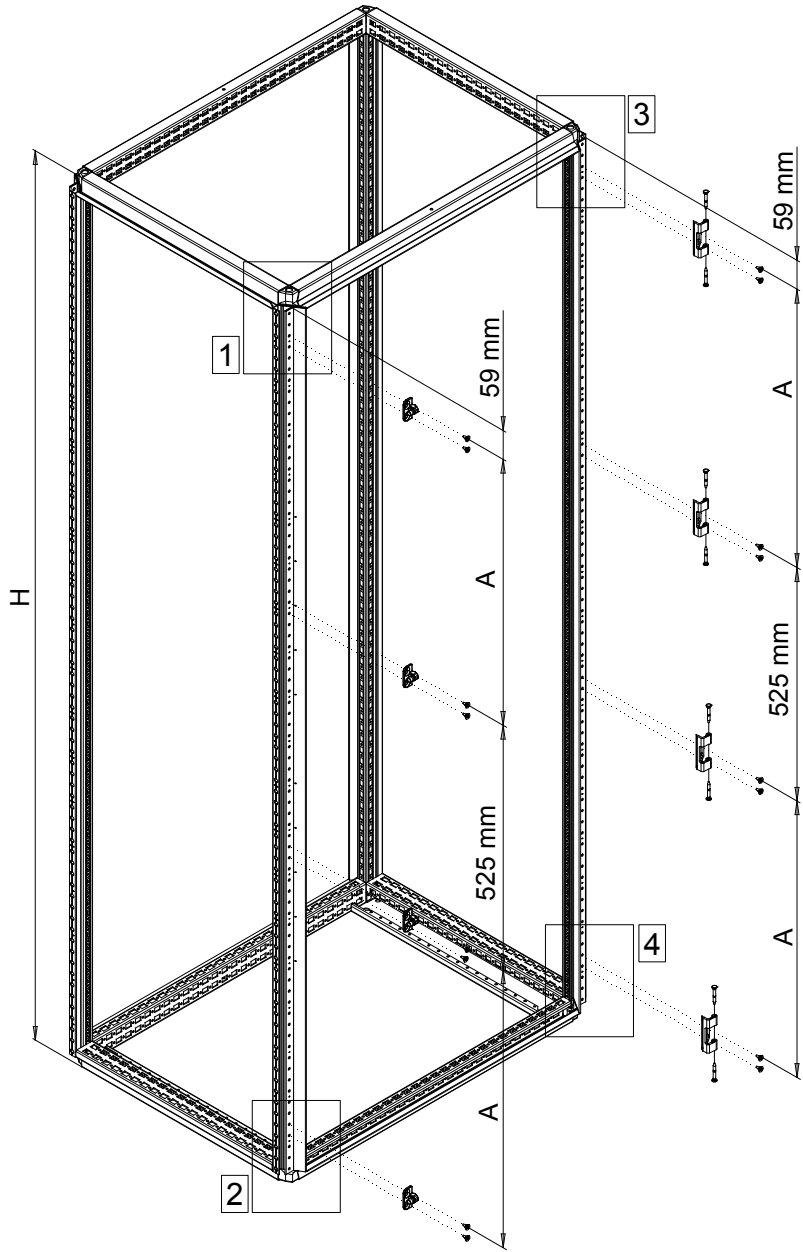


DNMK



| Ref. | Pic. | Qty. |
|------|-------|------|
| A | | 4 |
| B | | 4 |
| C | | 8 |
| D | M6x12 | 16 |



| H | A |
|------|-----|
| 1100 | 175 |
| 1400 | 325 |
| 1600 | 425 |
| 1800 | 525 |
| 2000 | 625 |
| 2200 | 725 |

