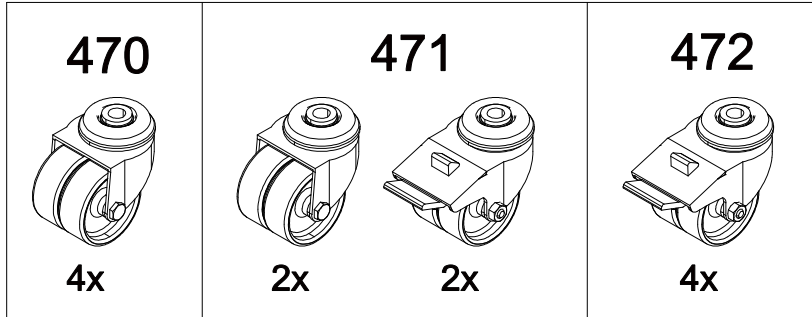


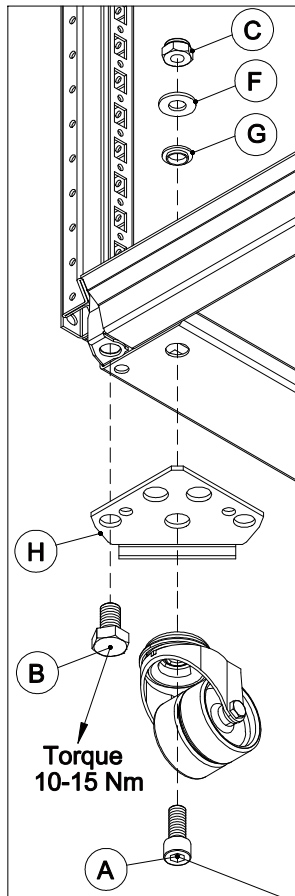


LCR

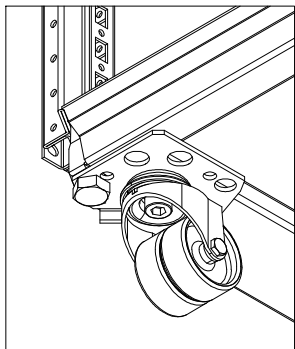
Ref.	Pic.	Qty.
A	M10x25	4
B	M12x20	4
C	M10	4
D	M12	4
E	A12.5	4
F	\varnothing 22	4
G	\varnothing 19	4
H		4



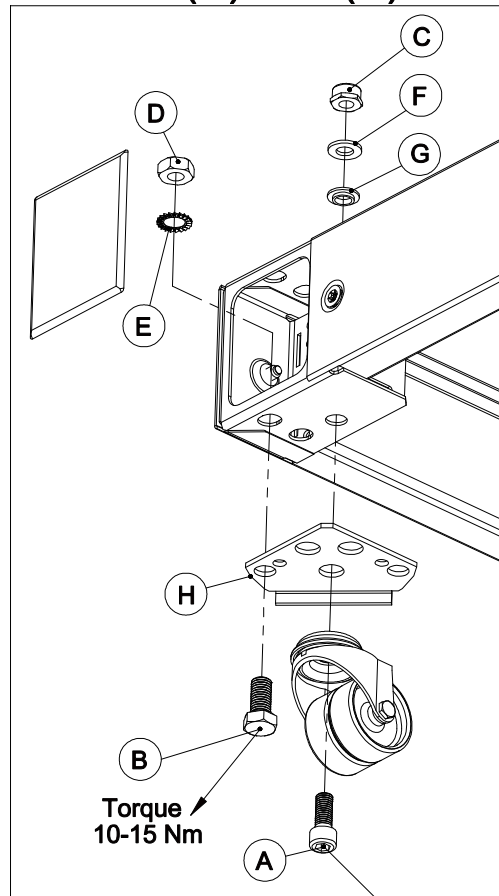
MF



Torque
10-15 Nm



PF(E) / PV(E)



Torque
10-15 Nm

Torque
10-15 Nm

