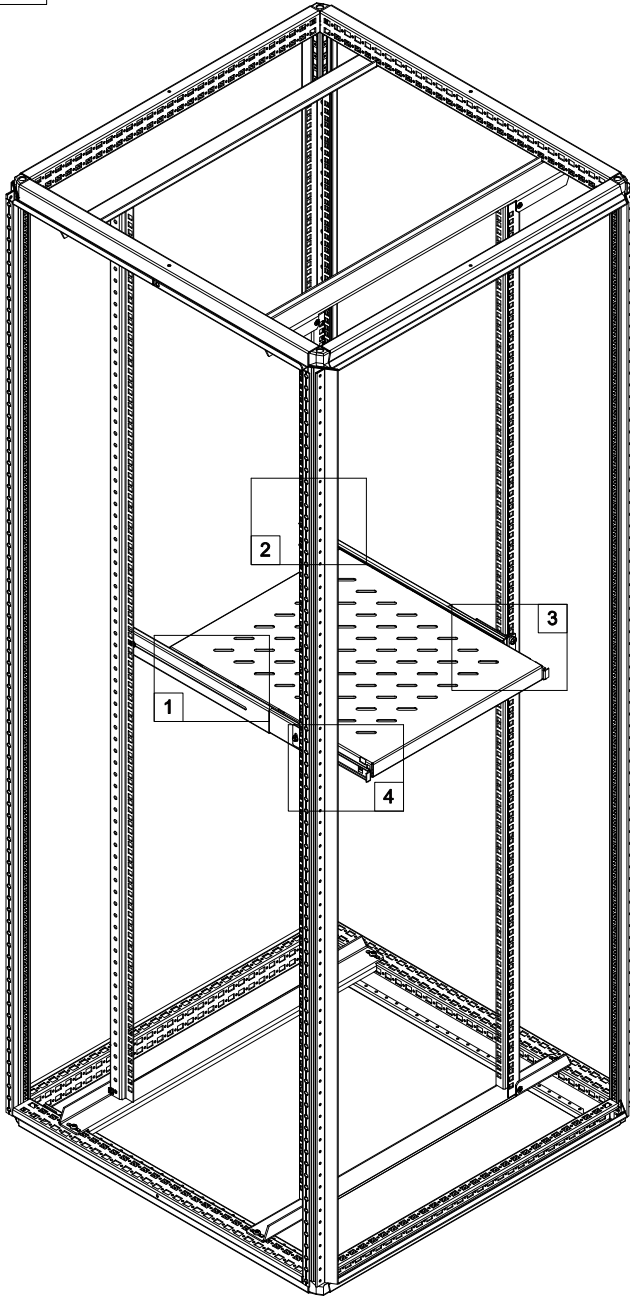
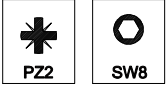


VTS



Ref.	Pic.	Qty.
A		8
B		6
C		8
D		6
E		8
F		2
G		2
H		2

