

PROAIR HARSH ENVIRONMENT


CR23
1600 BTU/Hr.
469 Watt



CR29
2700 and 4000 BTU/Hr.
791 and 1172 Watts



CR43
6000 & 8000 BTU/Hr.
1758 and 2344 Watts

INDUSTRY STANDARDS

UL/cUL Listed; Type 12, 3R, 4; 4X optional; File No. SA6453
UR/cUR Recognized

UR/cUR Recognized on select models, reference performance data tables.

CE
EAC

APPLICATION

- Industrial automation
- Package handling equipment
- Food and beverage
- Wastewater treatment
- Security and defense systems
- And more

FEATURES

- Robust reciprocating compressor
- Easy maintenance: hinged front cover allows quick access to all components; condenser coil can be cleaned while unit is still mounted to the cabinet
- R134a or R407c earth-friendly refrigerant
- Models for 115, 230 and 460 single phase VAC power input
- UL Listed or Recognized to save customers time and money with agency approvals
- Operating temperature range from -40 F/-40 C to 131 F/55 C (with optional low-ambient package)
- Attractive industrial design with minimal use of visible fasteners
- Reliable mechanical thermostat located behind the filter of the unit

- Low-carbon mild-steel sheet-metal cover for rugged factory and outdoor environments
- Easy-mount flanges for simple installation
- Cleanable reusable aluminum mesh filter protects coils for maximum cooling performance
- Mounting hardware, gaskets and user manual furnished with the unit
- Every unit functionally tested before shipping
- High-performance fans and blowers designed for densely packed enclosures
- Standard Indoor Air Conditioner models also include:
 - Electro-Mechanical Thermostat
 - Surge Suppressor

FINISH

- RAL 7035 light-gray, semi-textured powder-coat paint standard
- Stainless steel Type 304 or 316 finishes available on Type 4X models
- Other colors and textures available

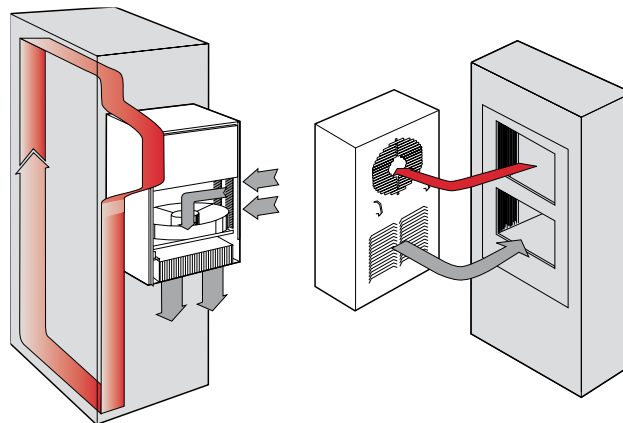
OPTIONS

- Thermostat Malfunction Package
- Special Voltage Package
- Outdoor Package*
- Harsh Environment Package*
- Stainless Steel Package*
- Heater Package*

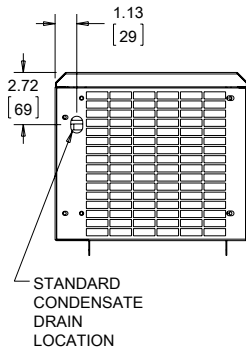
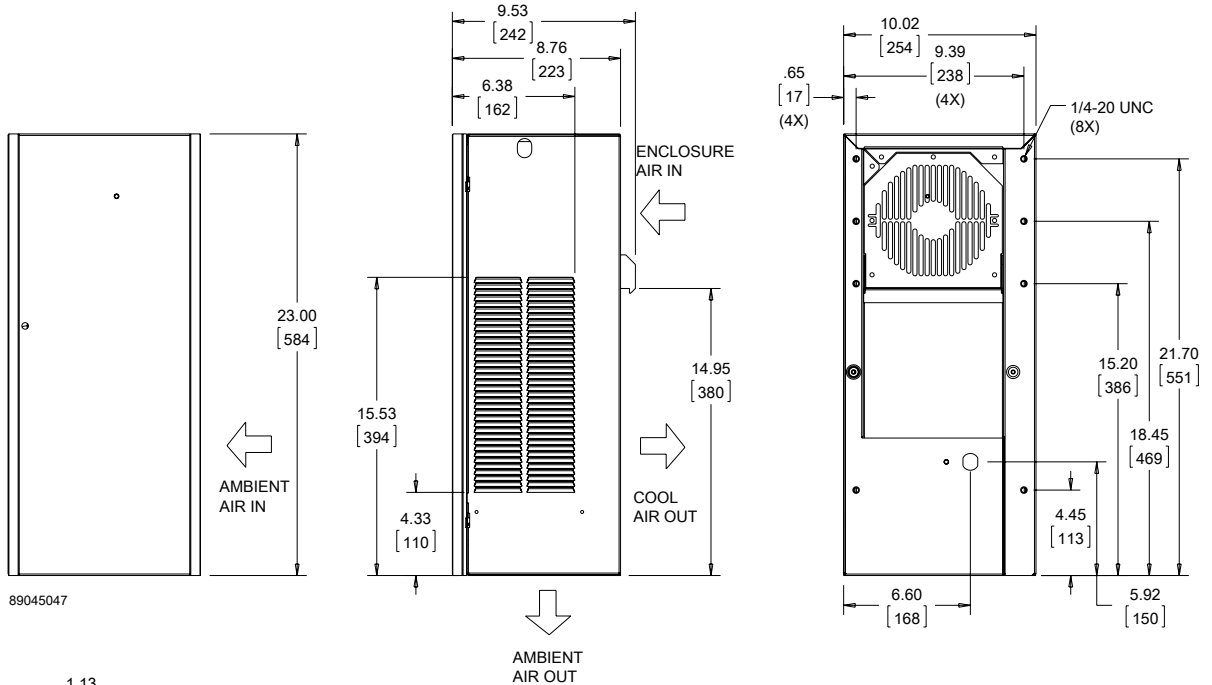
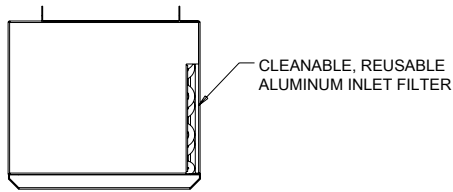
* T-Series may be more appropriate. Refer to T-Series A/C section. Consult the factory for availability and catalog number.

Performance Data **CR23 Models 1600 BTU/Hr. (469 Watt)**

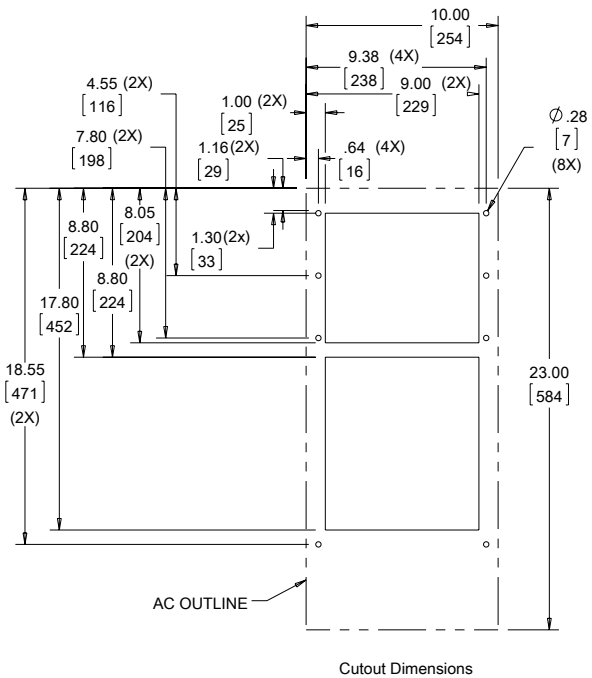
| CATALOG NUMBER | | | |
|---|---|--------------------------------|-----------------------------|
| Indoor Model | CR230216G002 | CR230226G002 | CR230246G400 |
| Indoor Level 2 Controller | CR230216G016 | — | — |
| Outdoor Type 3R | CR230216G013 | CR230226G030 | — |
| Outdoor/SST/Corrosion Type 3R | CR230216G007 | CR230226G009 | — |
| Outdoor/SST/Level 2 Type 3R | CR230216G017 | CR230226G016 | — |
| Indoor/Outdoor/SST/Corrosion Type 4X | CR230216G015 | CR230226G014 | CR230226G037 |
| COOLING PERFORMANCE | | | |
| Nominal: | | | |
| BTU/Hr. | 1400/1600 | 1667/1733 | 1667/1733 |
| Watts | 410/469 | 489/508 | 489/508 |
| Refrigerant | R-134A | R-134A | R-134A |
| Refrigerant Charge (ounces/grams) | 10/284 | 10.5/298 | 10.5/298 |
| Operating Temperature Range: | | | |
| Maximum (°F/°C) | 131/55 | 131/55 | 131/55 |
| Minimum (°F/°C) (Low Ambient Pkg) | -40/-40 | -40/-40 | -40/-40 |
| Airflow at 0 Static Pressure: | | | |
| Internal loop 50 Hz (CFM / m ³ /hr.) | 117/199 | 117/199 | 117/199 |
| External loop 50 Hz (CFM / m ³ /hr.) | 86/146 | 86/146 | 86/146 |
| Internal loop 60 Hz (CFM / m ³ /hr.) | 130/221 | 130/221 | 130/221 |
| External loop 60 Hz (CFM / m ³ /hr.) | 95/161 | 95/161 | 95/161 |
| ELECTRICAL DATA | | | |
| Rated Voltage | 115 | 230 | 460V 1PH |
| Frequency (Hz) | 50/60 | 50/60 | 50/60 |
| Operating Range | +/- 10% | +/- 10% | +/- 10% |
| Max. Power Consumption (W at 50/60 Hz) | 471.5/517.5 | 338/353 | 338/353 |
| Max. Nominal Current (A at 50/60 Hz) | 4.1/4.0 | 1.5/1.7 | 0.8/0.9 |
| Starting Current (A) | 18 | 9.2 | 4.6 |
| Agency Approvals | UL/cUL Listed CE EAC | | cUR Recognized CE EAC |
| Power Input Description | 6-ft. cord with NEMA 5-15 plug | 6-ft. cord with NEMA 6-15 plug | 6-ft. cord with wire leads |
| ENCLOSURE PROTECTION | | | |
| UL Type | Type 12, 3R standard Type 4, 4X Stainless steel optional | | |
| CONTROLLER | | | |
| Description | Basic mechanical thermostat | | |
| Thermostat Location | Behind cover | | |
| Factory Thermostat Setting (°F/°C) | 80/27 | | |
| SOUND LEVEL | | | |
| At 1.5 Meters | 62 dB(A) | | |
| UNIT CONSTRUCTION | | | |
| Material | Mild steel sheet metal standard Stainless steel optional | | |
| Finish | RAL 7035 light-gray, semi-textured powder-coat paint standard | | |
| UNIT DIMENSIONS | | | |
| Height (in./mm) | 23/584 | | 23/584 |
| Width (in./mm) | 10/254 | | 10/254 |
| Depth (in./mm) | 8.75/222 | | 8.75/222 |
| Weight (lb./kg) | 57/26 | | 67/30 |



CR23 Models 1600 BTU/Hr. (469 Watt)

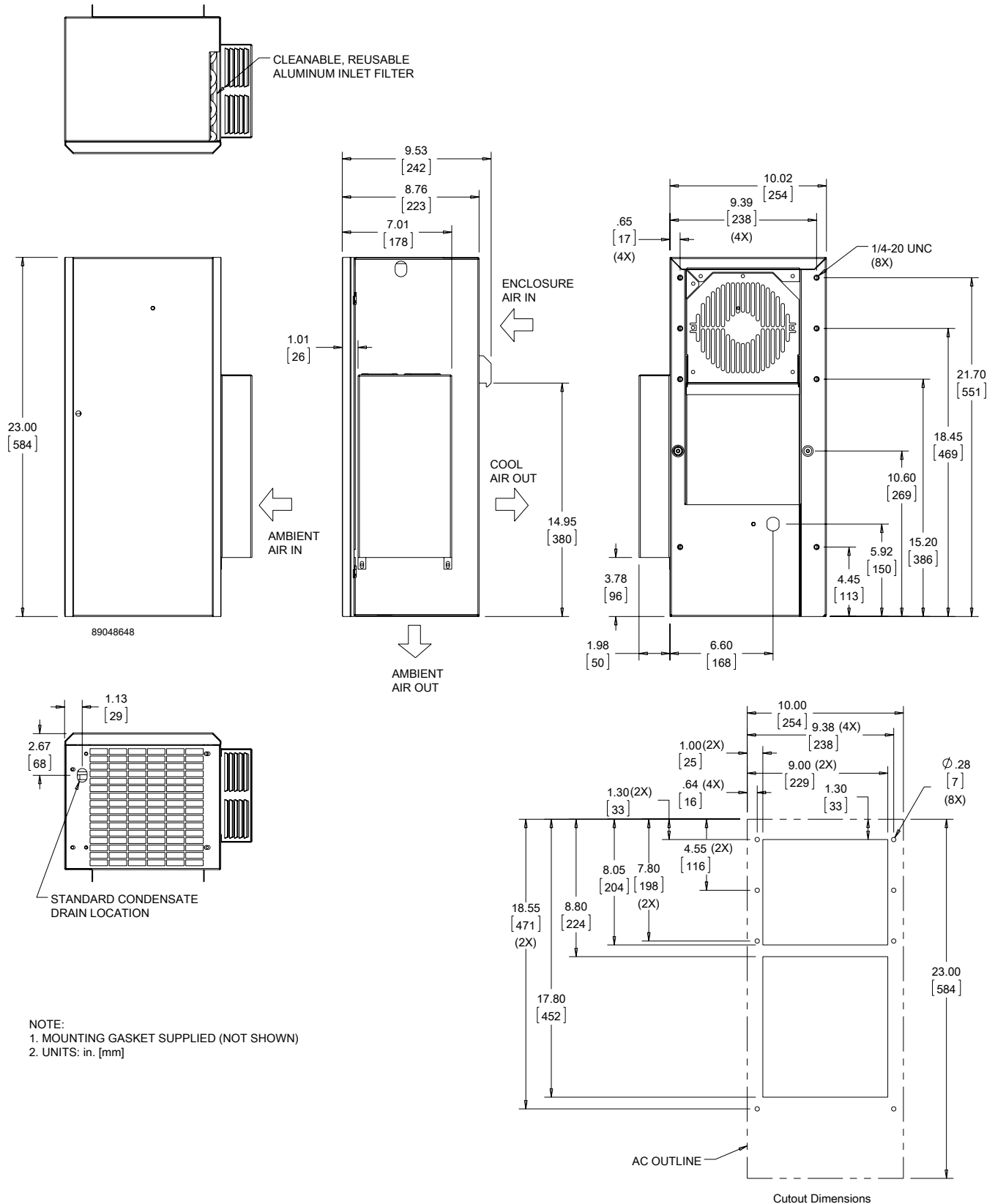


NOTE:
 1. MOUNTING GASKET SUPPLIED (NOT SHOWN)
 2. UNITS: in. [mm]



Visit www.nVent.com/HOFFMAN to download 2D and 3D CAD drawings into the overall design of your electrical system.

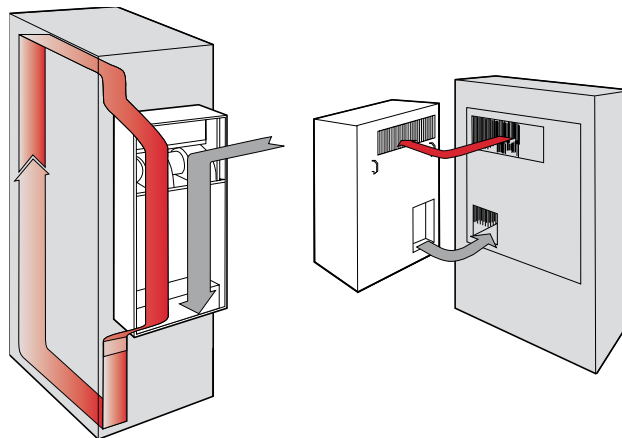
CR23 Models 1600 BTU/Hr. (469 Watt) With Type 4X Hood



Visit www.nVent.com/HOFFMAN to download 2D and 3D CAD drawings into the overall design of your electrical system.

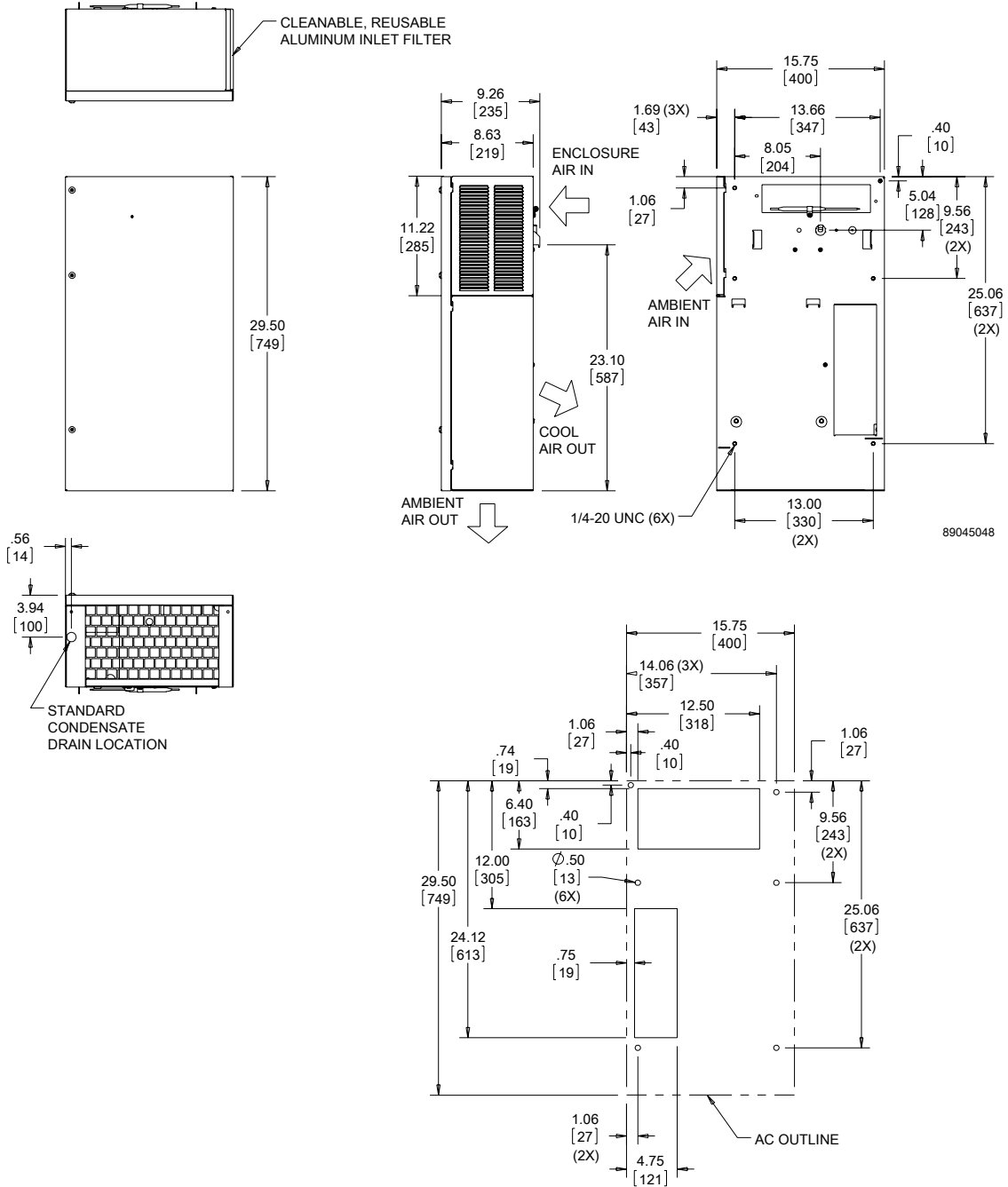
Performance Data CR29 Models 2700/4000 BTU/Hr. (791/1172 Watt)

| CATALOG NUMBER | | | | | | |
|---|---|--------------------------------|-----------------------------|---|--------------------------------|-----------------------------|
| Indoor Model | CR290216G002 | CR290226G002 | CR290246G400 | CR290416G002 | CR290426G002 | CR290446G400 |
| Indoor Level 2 Controller | CR290216G030 | CR290226G030 | CR290226G041 | CR290416G047 | CR290426G027 | — |
| Outdoor Type 3R | CR290216G035 | CR290226G020 | — | CR290416G045 | CR290426G022 | — |
| Outdoor/SST/Corrosion Type 3R | CR290216G013 | CR290226G010 | CR290246G401 | CR290416G030 | CR290426G017 | — |
| Outdoor/SST/Level 2 Type 3R | — | — | CR290226G058 | CR290416G052 | — | CR290426G101 |
| Indoor/Outdoor/SST/Corrosion Type 4X | CR290216G036 | CR290226G037 | CR290226G045 | CR290416G068 | CR290426G054 | CR290426G061 |
| COOLING PERFORMANCE | | | | | | |
| Nominal: | | | | | | |
| BTU/Hr. | 2600/3000 | 2600/2700 | 2600/2700 | 3500/4000 | 3500/4000 | 3500/4000 |
| Watts | 761/879 | 761/791 | 761/791 | 1025/1172 | 1025/1172 | 1026/1172 |
| Refrigerant | R-134A | R-134A | R-134A | R-134A | R-134A | R-134A |
| Refrigerant Charge (ounces/grams) | 11/312 | 11/312 | 11/312 | 11/312 | 11/312 | 11/312 |
| Operating Temperature Range: | | | | | | |
| Maximum (°F/°C) | 131/55 | 131/55 | 131/55 | 131/55 | 131/55 | 131/55 |
| Minimum (°F/°C) (Low Ambient Pkg) | -40/-40 | -40/-40 | -40/-40 | -40/-40 | -40/-40 | -40/-40 |
| Airflow at 0 Static Pressure: | | | | | | |
| Internal loop 50 Hz (CFM / m ³ /hr.) | 141/239 | 141/239 | 141/239 | 141/239 | 141/239 | 141/239 |
| External loop 50 Hz (CFM / m ³ /hr.) | 235/399 | 235/399 | 235/399 | 235/399 | 235/399 | 235/399 |
| Internal loop 60 Hz (CFM / m ³ /hr.) | 157/266 | 157/266 | 157/266 | 157/266 | 157/266 | 157/266 |
| External loop 60 Hz (CFM / m ³ /hr.) | 261/443 | 261/443 | 261/443 | 261/443 | 261/443 | 261/443 |
| ELECTRICAL DATA | | | | | | |
| Rated Voltage | 115 | 230 | 460V 1PH | 115 | 230 | 460V 1PH |
| Frequency (Hz) | 50/60 | 50/60 | 50/60 | 50/60 | 50/60 | 50/60 |
| Operating Range | +/- 10% | +/- 10% | +/- 10% | +/- 10% | +/- 10% | +/- 10% |
| Max. Power Consumption (W at 50/60 Hz) | 1058/897 | 851/828 | 920/874 | 1116/1253 | 1081/1127 | 1104/1150 |
| Max. Nominal Current (A at 50/60 Hz) | 9.2/7.8 | 3.7/3.6 | 2.0/1.9 | 12.7/12.1 | 4.7/4.9 | 2.4/2.5 |
| Starting Current (A) | 31.5 | 15 | 7.7 | 44.5 | 18 | 9 |
| Agency Approvals | UL/cUL Listed CE EAC | | cUR Recognized CE EAC | UL/cUL Listed CE EAC | | cUR Recognized CE EAC |
| Power Input Description | 6-ft. cord with NEMA 5-15 plug | 6-ft. cord with NEMA 6-15 plug | 6-ft. cord with wire leads | 6-ft. cord with NEMA 5-20 plug | 6-ft. cord with NEMA 6-15 plug | 6-ft. cord with wire leads |
| ENCLOSURE PROTECTION | | | | | | |
| UL Type | Type 12, 3R standard Type 4, 4X Stainless steel optional | | | Type 12, 3R standard 4, 4X Stainless steel optional | | |
| CONTROLLER | | | | | | |
| Description | Basic mechanical thermostat | | | Basic mechanical thermostat | | |
| Thermostat Location | Behind cover | | | Behind cover | | |
| Factory Thermostat Setting (°F/°C) | 80/27 | | | 80/27 | | |
| SOUND LEVEL | | | | | | |
| At 1.5 Meters | 68 dB(A) | | | 68 dB(A) | | |
| UNIT CONSTRUCTION | | | | | | |
| Material | Mild steel sheet metal standard Stainless steel optional | | | Mild steel sheet metal standard Stainless steel optional | | |
| Finish | RAL 7035 light-gray, semi-textured powder-coat paint standard | | | RAL 7035 light-gray, semi-textured powder-coat paint standard | | |
| UNIT DIMENSIONS | | | | | | |
| Height (in./mm) | 29.5/749 | | | 29.5/749 | | |
| Width (in./mm) | 15.75/400 | | | 15.75/400 | | |
| Depth (in./mm) | 8.63/219 | | | 8.63/219 | | |
| Weight (lb./kg) | 98/44 | 98/44 | 108/49 | 118/54 | 118/54 | 128/58 |



CR29 Models 2200/4000 BTU/Hr. (645/1172 Watt)

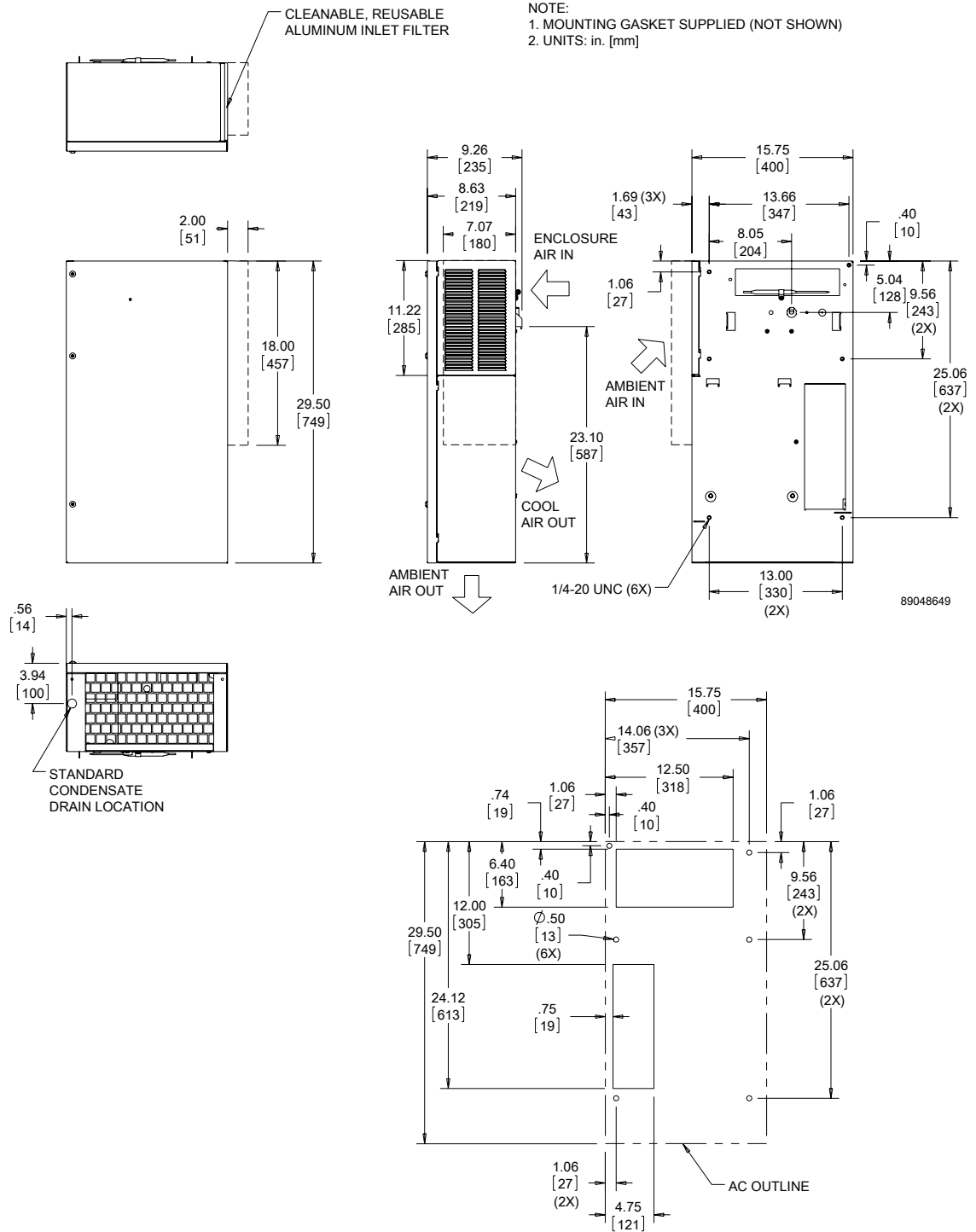
- NOTE:
 1. MOUNTING GASKET SUPPLIED (NOT SHOWN)
 2. UNITS: in. [mm]



Cutout Dimensions

Visit www.nVent.com/HOFFMAN to download 2D and 3D CAD drawings into the overall design of your electrical system.

CR29 Models 2200/4000 BTU/Hr. (645/1172 Watt) With Type 4X Hood

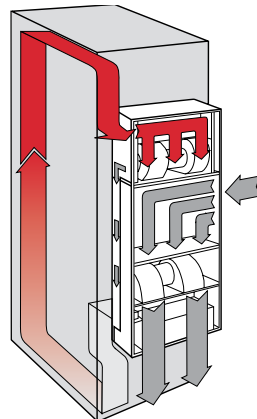


Cutout Dimensions

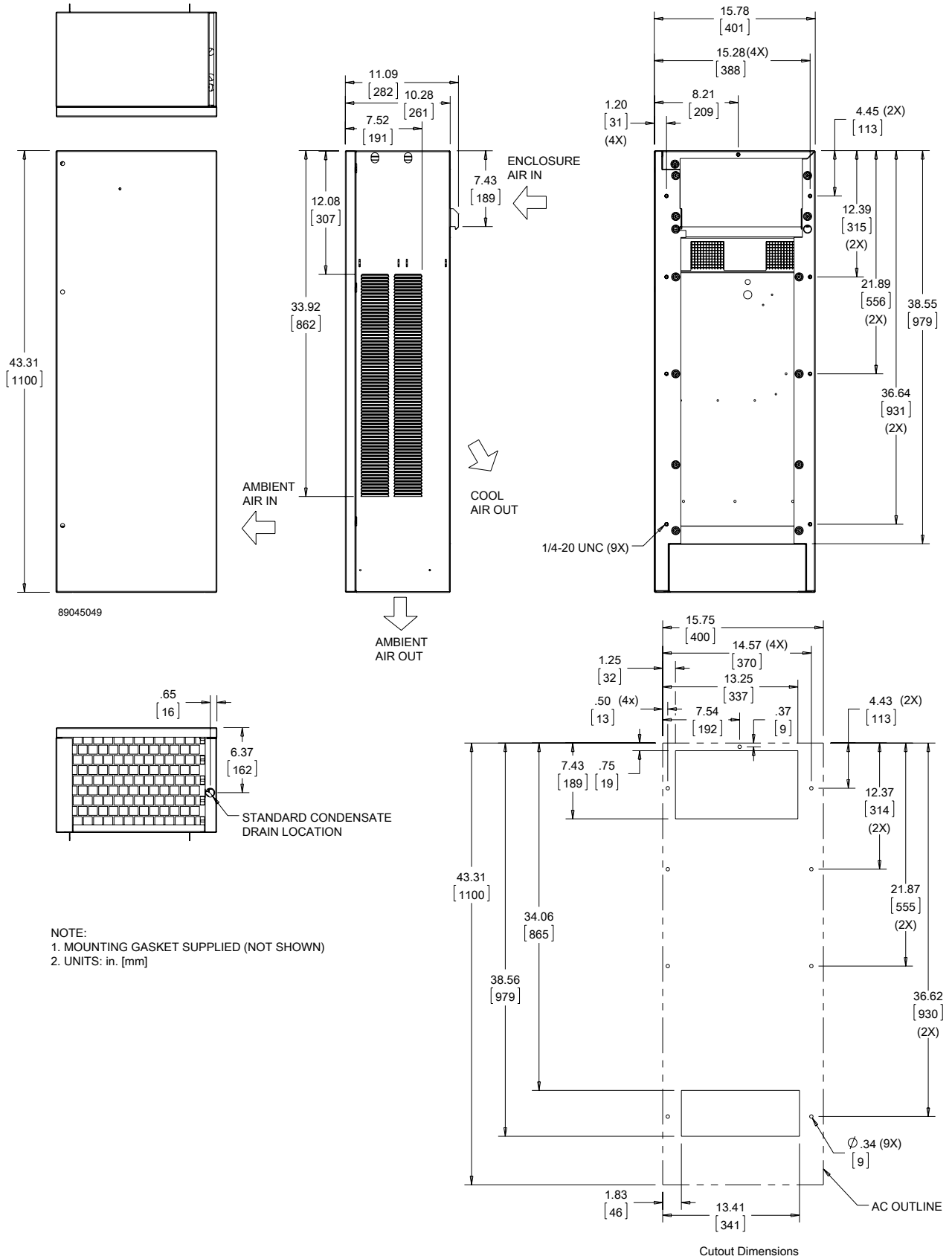
Visit www.nVent.com/HOFFMAN to download 2D and 3D CAD drawings into the overall design of your electrical system.

Performance Data **CR43 Models 6000/8000 BTU/Hr. (1758/2344 Watt)**

| CATALOG NUMBER | | | | | | |
|---|---|--------------------------------|-----------------------------|---|--------------------------------|-----------------------------|
| Indoor Model | CR430616G002 | CR430626G002 | CR430646G004 | CR430816G002 | CR430826G002 | CR430826G089 |
| Indoor Level 2 Controller | CR430616G016 | CR430626G018 | — | CR430816G021 | CR430826G026 | — |
| Outdoor Type 3R | CR430616G013 | CR430626G014 | — | CR430816G038 | CR430826G007 | — |
| Outdoor/SST/Corrosion Type 3R | CR430616G004 | — | — | CR430816G010 | CR430826G037 | — |
| Outdoor/SST/Level 2 Type 3R | — | CR430626G020 | — | CR430816G023 | CR430826G024 | — |
| Indoor/Outdoor/SST/Corrosion Type 4X | CR430616G031 | CR430626G034 | CR430626G074 | CR430816G036 | CR430826G038 | CR430846G401 |
| COOLING PERFORMANCE | | | | | | |
| Nominal: | | | | | | |
| BTU/Hr. | 5500/6000 | 5500/6000 | 5500/6000 | 7100/8000 | 7100/8000 | 7100/8000 |
| Watts | 1611/1758 | 1611/1758 | 1611/1758 | 2080/2344 | 2080/2344 | 2080/2344 |
| Refrigerant | R-134A | R-134A | R-134A | R-134A | R-134A | R-134A |
| Refrigerant Charge (ounces/grams) | 26/737 | 25/709 | 25/709 | 26/737 | 25/709 | 25/709 |
| Operating Temperature Range: | | | | | | |
| Maximum (°F/°C) | 131/55 | 131/55 | 131/55 | 131/55 | 131/55 | 131/55 |
| Minimum (°F/°C) (Low Ambient Pkg.) | -40/-40 | -40/-40 | -40/-40 | -40/-40 | -40/-40 | -40/-40 |
| Airflow at 0 Static Pressure: | | | | | | |
| Internal loop 50 Hz (CFM / m ³ /hr.) | 320/543 | 226/384 | 226/384 | 320/543 | 226/384 | 226/384 |
| External loop 50 Hz (CFM / m ³ /hr.) | 480/815 | 470/798 | 470/798 | 480/815 | 470/798 | 470/798 |
| Internal loop 60 Hz (CFM / m ³ /hr.) | 368/625 | 255/433 | 255/433 | 368/625 | 255/433 | 255/433 |
| External loop 60 Hz (CFM / m ³ /hr.) | 544/924 | 540/917 | 540/917 | 544/924 | 540/917 | 540/917 |
| ELECTRICAL DATA | | | | | | |
| Rated Voltage | 115 | 230 | 460V 1PH | 115 | 230 | 460V 1PH |
| Frequency (Hz) | 50/60 | 50/60 | 50/60 | 50/60 | 50/60 | 50/60 |
| Operating Range | +/- 10% | +/- 10% | +/- 10% | +/- 10% | +/- 10% | +/- 10% |
| Max. Power Consumption (W at 50/60 Hz) | 1460 | 958/1182 | 958/1182 | 1460 | 958/1182 | 958/1182 |
| Max. Nominal Current (A at 50/60 Hz) | 9.8/10.2 | 4.9/5.0 | 2.5/2.5 | 9.8/10.2 | 4.9/5.0 | 2.5/2.5 |
| Starting Current (A) | 39.5 | 21 | 11 | 39.5 | 21 | 11 |
| Agency Approvals | UL/cUL Listed CE EAC | | cUR Recognized CE EAC | UL/cUL Listed CE EAC | | cUR Recognized CE EAC |
| | Others available upon request | | | Others available upon request | | |
| Power Input Description | 6-ft. cord with NEMA 5-20 plug | 6-ft. cord with NEMA 5-20 plug | 6-ft. cord with wire leads | 6-ft. cord with NEMA 5-20 plug | 6-ft. cord with NEMA 6-15 plug | 6-ft. cord with wire leads |
| ENCLOSURE PROTECTION | | | | | | |
| UL Type | Type 12, 3R standard Type 4, 4X Stainless steel optional | | | Type 12, 3R standard 4, 4X Stainless steel optional | | |
| CONTROLLER | | | | | | |
| Description | Basic mechanical thermostat | | | Basic mechanical thermostat | | |
| Thermostat Location | Enclosure side on all base models | | | Enclosure side on all base models | | |
| Factory Thermostat Setting (°F/°C) | 80/27 | | | 80/27 | | |
| SOUND LEVEL | | | | | | |
| At 1.5 Meters | 71 dB(A) | | | 71 dB(A) | | |
| UNIT CONSTRUCTION | | | | | | |
| Material | Galvanized sheet metal standard Stainless steel optional | | | Galvanized sheet metal standard Stainless steel optional | | |
| Finish | RAL 7035 light-gray, semi-textured powder-coat paint standard | | | RAL 7035 light-gray, semi-textured powder-coat paint standard | | |
| UNIT DIMENSIONS | | | | | | |
| Height (in./mm) | 43.31/1100 | | | 43.31/1100 | | |
| Width (in./mm) | 15.75/400 | | | 15.75/400 | | |
| Depth (in./mm) | 10.25/260 | | | 10.25/260 | | |
| Weight (lb./kg) | 125/57 | 125/57 | 155/70 | 125/57 | 125/57 | 155/70 |



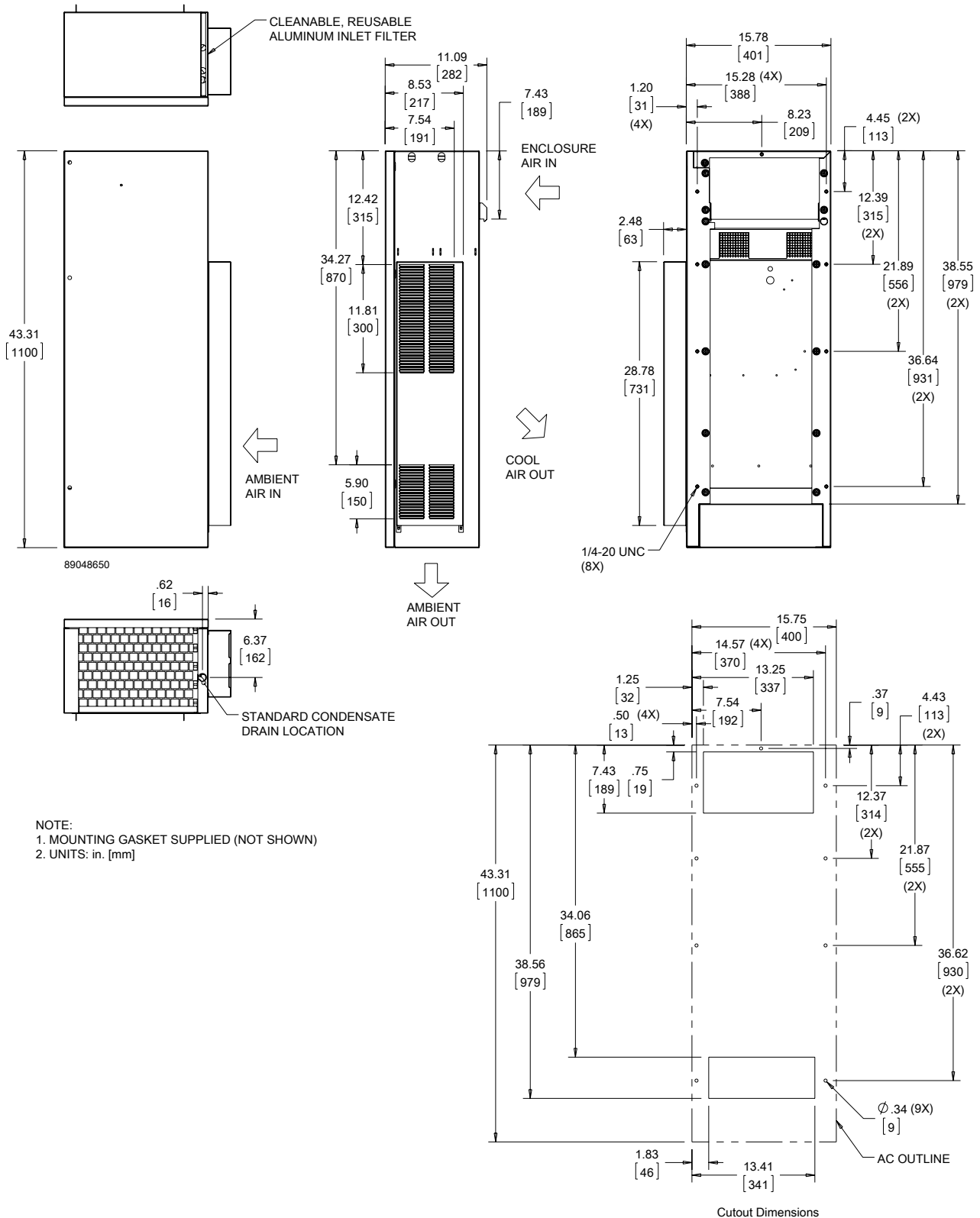
CR43 Models 6000/8000 BTU/Hr. (1758/2344 Watt)



NOTE:
 1. MOUNTING GASKET SUPPLIED (NOT SHOWN)
 2. UNITS: in. [mm]

Visit www.nVent.com/HOFFMAN to download 2D and 3D CAD drawings into the overall design of your electrical system.

CR43 Models 6000/8000 BTU/Hr. (1758/2344 Watt) With Type 4X Hood



Visit www.nVent.com/HOFFMAN to download 2D and 3D CAD drawings into the overall design of your electrical system.