

SPLITTER TROUGH, TYPE 1



INDUSTRY STANDARDS

CSA C22.2 No. 76, File No. 42184: Type 1
 NEMA/EEMAC Type 1
 IEC 60529, IP30

APPLICATION

With pre-installed terminal blocks for three- and four-wire power distribution systems, this trough splits feeder circuit conductors into multiple branch circuit conductors.

FEATURES

- Various size knockouts on each side
- Hinged covers
- Mounting holes in back
- Includes single-point ground lug
- Ground Splitter (ground bar) accessory available

SPECIFICATIONS

- 14 gauge steel

FINISH

ANSI 61 gray polyester powder paint finish inside and out

ACCESSORIES

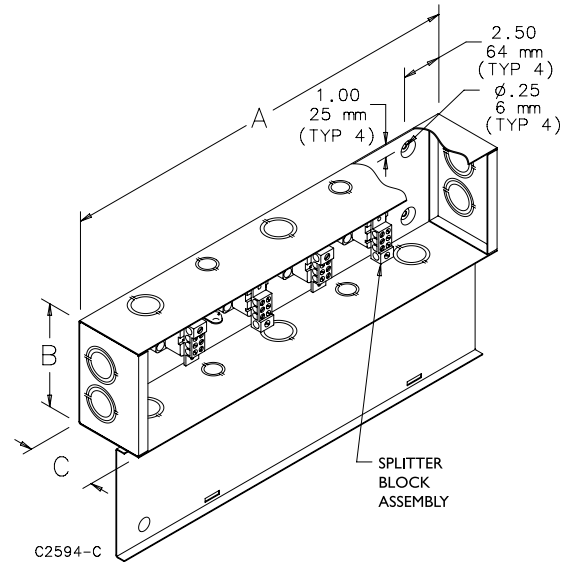
See also *Accessories*.

Splitter Trough Block Assemblies

Ground Splitter Bar

Touch-Up Paint

BULLETIN: S90T



Knockout Size and Spacing

Amps Rating	Qty.	End Knockout Size	Spacing (in.)	Spacing (mm)	Side Knockout Size and Position	Spacing (in.)	Spacing (mm)
85	2	1-3/4-2	2.75	70	Alternating 1/2-3/4 and 1-1-3/4	4.50	114
125	2	1-3/4-2	2.75	70	Alternating 1/2-3/4 and 1-1-3/4	4.50	114
225	2	2-1/2-3	4.06	103	Alternating 1/2-3/4 and 1-1-3/4	4.50	114
400	2	3-3-1/2	4.91	125	Alternating 1/2-3/4 and 1-1-3/4	4.50	114
600	2	3-3-1/2	4.91	125	Alternating 1/2-3/4 and 1-1-3/4	4.50	114

Standard Product **Type 1 Splitter Trough**

Catalog Number	in.	mm	Number of Wires	Main Lugs Amps CU	Main Lugs Wire Size Range	Main Lugs Qty.	Branch Lugs Amps CU	Branch Lugs Wire Size Range	Branch Lugs Qty.
AST283R	24.00 x 6.00 x 4.50	610 x 152 x 114	3	85	14-1	1	55	14-6	6
AST284R	24.00 x 6.00 x 4.50	610 x 152 x 114	4	85	14-1	1	55	14-6	6
AST383R	36.00 x 6.00 x 4.50	914 x 152 x 114	3	85	14-1	1	55	14-6	6
AST384R	36.00 x 6.00 x 4.50	914 x 152 x 114	4	85	14-1	1	55	14-6	6
AST483R	48.00 x 6.00 x 4.50	1219 x 152 x 114	3	85	14-1	1	55	14-6	6
AST484R	48.00 x 6.00 x 4.50	1219 x 152 x 114	4	85	14-1	1	55	14-6	6
AST2123R	24.00 x 6.00 x 4.50	610 x 152 x 114	3	125	14-1/0	1	110	14-2	6
AST2124R	24.00 x 6.00 x 4.50	610 x 152 x 114	4	125	14-1/0	1	110	14-2	6
AST3123R	36.00 x 6.00 x 4.50	914 x 152 x 114	3	125	14-1/0	1	110	14-2	6
AST3124R	36.00 x 6.00 x 4.50	914 x 152 x 114	4	125	14-1/0	1	110	14-2	6
AST4123R	48.00 x 6.00 x 4.50	1219 x 152 x 114	3	125	14-1/0	1	110	14-2	6
AST4124R	48.00 x 6.00 x 4.50	1219 x 152 x 114	4	125	14-1/0	1	110	14-2	6
AST3223R	36.00 x 8.25 x 4.50	914 x 210 x 114	3	225	6-300MCM	1	150	14-2/0	6
AST3224R	36.00 x 8.25 x 4.50	914 x 210 x 114	4	225	6-300MCM	1	150	14-2/0	6
AST4223R	48.00 x 8.25 x 4.50	1219 x 210 x 114	3	225	6-300MCM	1	150	14-2/0	6
AST4224R	48.00 x 8.25 x 4.50	1219 x 210 x 114	4	225	6-300MCM	1	150	14-2/0	6
AST5223R	60.00 x 8.25 x 4.50	1524 x 210 x 114	3	225	6-300MCM	1	150	14-2/0	6
AST5224R	60.00 x 8.25 x 4.50	1524 x 210 x 114	4	225	6-300MCM	1	150	14-2/0	6
AST6223R	72.00 x 8.25 x 4.50	1829 x 210 x 114	3	225	6-300MCM	1	150	14-2/0	6
AST6224R	72.00 x 8.25 x 4.50	1829 x 210 x 114	4	225	6-300MCM	1	150	14-2/0	6
AST3403R	36.00 x 10.00 x 6.00	914 x 254 x 152	3	400	1/0-250MCM: 4-600MCM	2:1	175	6-4/0 AND 14-3/0 ^a	4 and 2 ^a
AST4403R	48.00 x 10.00 x 6.00	1219 x 254 x 152	3	400	1/0-250MCM: 4-600MCM	2:1	175	6-4/0 AND 14-3/0 ^a	4 and 2 ^a
AST4404R	48.00 x 10.00 x 6.00	1219 x 254 x 152	4	400	1/0-250MCM: 4-600MCM	2:1	175	6-4/0 AND 14-3/0 ^a	4 and 2 ^a
AST5403R	60.00 x 10.00 x 6.00	1524 x 254 x 152	3	400	1/0-250MCM: 4-600MCM	2:1	175	6-4/0 AND 14-3/0 ^a	4 and 2 ^a
AST5404R	60.00 x 10.00 x 6.00	1524 x 254 x 152	4	400	1/0-250MCM: 4-600MCM	2:1	175	6-4/0 AND 14-3/0 ^a	4 and 2 ^a
AST6403R	72.00 x 10.00 x 6.00	1829 x 254 x 152	3	400	1/0-250MCM: 4-600MCM	2:1	175	6-4/0 AND 14-3/0 ^a	4 and 2 ^a
AST6404R	72.00 x 10.00 x 6.00	1829 x 254 x 152	4	400	1/0-250MCM: 4-600MCM	2:1	175	6-4/0 AND 14-3/0 ^a	4 and 2 ^a
AST4603R	48.00 x 11.00 x 6.50	1219 x 279 x 165	3	600	1/0-250MCM: 4-600MCM	4:2	175	6-4/0 AND 14-3/0 ^a	4 and 2 ^a
AST4604R	48.00 x 11.00 x 6.50	1219 x 279 x 165	4	600	1/0-250MCM: 4-600MCM	4:2	175	6-4/0 AND 14-3/0 ^a	4 and 2 ^a
AST5603R	60.00 x 11.00 x 6.50	1524 x 279 x 165	3	600	1/0-250MCM: 4-600MCM	4:2	175	6-4/0 AND 14-3/0 ^a	4 and 2 ^a
AST5604R	60.00 x 11.00 x 6.50	1524 x 279 x 165	4	600	1/0-250MCM: 4-600MCM	4:2	175	6-4/0 AND 14-3/0 ^a	4 and 2 ^a
AST6603R	72.00 x 11.00 x 6.50	1829 x 279 x 165	3	600	1/0-250MCM: 4-600MCM	4:2	175	6-4/0 AND 14-3/0 ^a	4 and 2 ^a
AST6604R	72.00 x 11.00 x 6.50	1829 x 279 x 165	4	600	1/0-250MCM: 4-600MCM	4:2	175	6-4/0 AND 14-3/0 ^a	4 and 2 ^a

^aSix total branch lugs: (4) 6-4/0 and (2) 14-3/0