

**QLINE D PUSHBUTTON, TYPE 4X**



**APPLICATION**

Used for insulating and housing 30.5-mm or 22.5-mm pushbuttons in hostile environments, QLine D Enclosures have contoured bodies with flush cover screws for an attractive, contemporary appearance.

**SPECIFICATIONS**

- High-impact polycarbonate material is used for both body and cover
- Polycarbonate material is easily punched, drilled, filed or sawed
- Straight side walls permit ganging of multiple enclosures
- Cross-point captivated cover screws are stainless steel
- Mounting holes molded directly adjacent to cover screws
- Cover screws protected by removable caps that are both aesthetic and provide tamper resistance
- Molded internal pads for mounting optional panels, rails or other components
- Seamless foam-in-place gasket assures watertight and dust-tight seal
- Screws provided for mounting optional panel
- Mounting hardware furnished
- Material is halogen free

**FINISH**

Polycarbonate enclosure material is RAL 7035 light-gray inside and out. Optional panels are unpainted plated steel.

**ACCESSORIES**

See also *Accessories*.  
 Hardware Kit  
 Hinge Kit  
 Mounting Bracket Kit

**BULLETIN: Q41**

**INDUSTRY STANDARDS**

UL 508A Listed; Type 4, 4X, 12, 13; No. E61997  
 cUL Listed per CSA C22.2 No 94; Type 4, 4X, 12, 13; No. E61997  
 Enclosure flammability evaluated per UL 508A

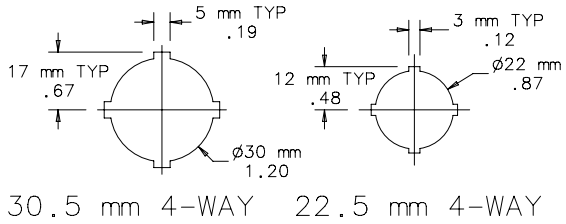
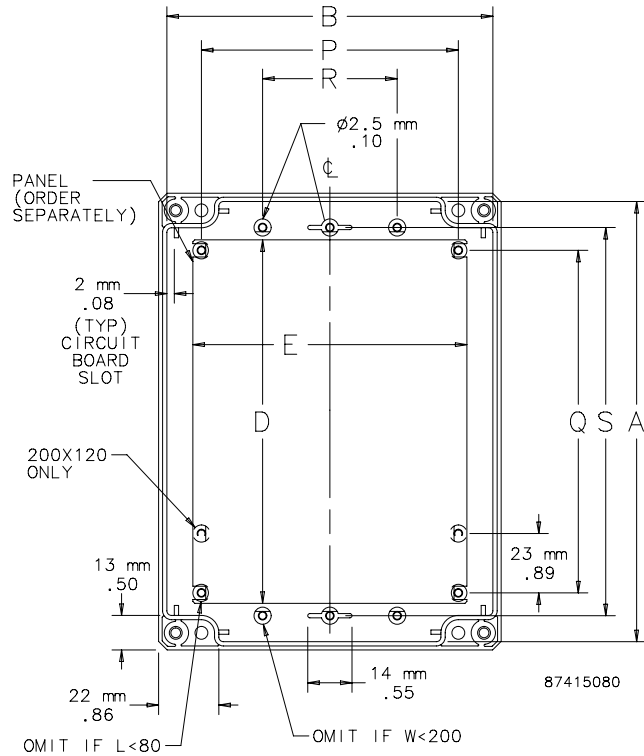
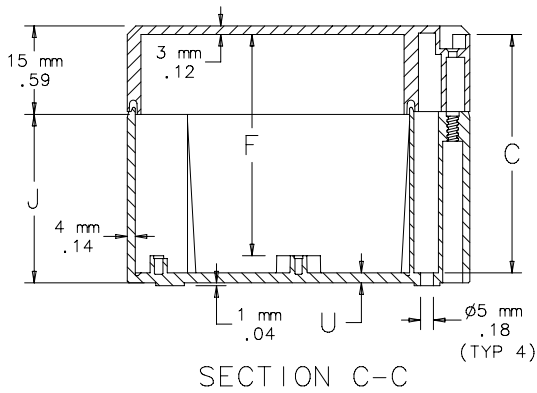
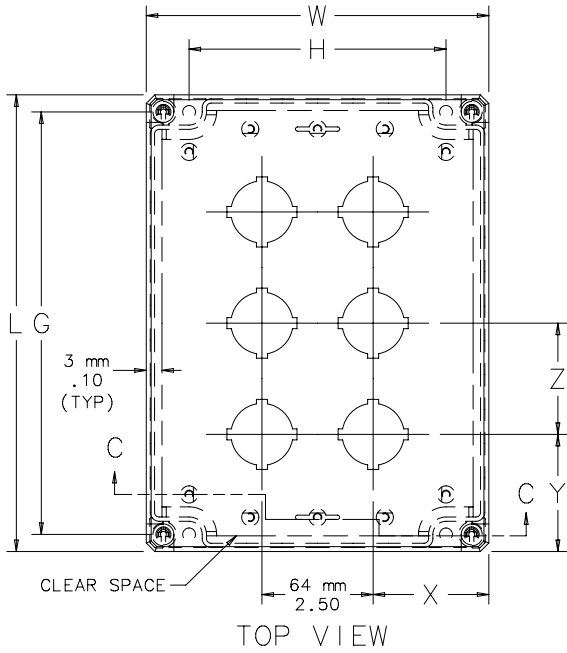
NEMA/EEMAC Type 4, 4X, 12  
 CSA File Number 42186: Type 4, 4X, 12  
 IEC 60529, IP67

**Standard Product**

| Catalog Number  | AxBxC mm/in.                         | Hole Size mm | External Dimensions L x W mm/in. | Panel   | Panel Size D x E mm/in.  | Mounting G x H mm/in.    | F mm/in.   | J mm/in.   | P mm/in.    | Q mm/in.    | R mm/in.   | S mm/in.    | U mm/in.  | X mm/in.   | Y mm/in.   | Z mm/in.   |
|-----------------|--------------------------------------|--------------|----------------------------------|---------|--------------------------|--------------------------|------------|------------|-------------|-------------|------------|-------------|-----------|------------|------------|------------|
| <b>Q1PBPCD</b>  | 75 x 73 x 79<br>2.95 x 2.87 x 3.11   | 30.5         | 82 x 80<br>3.23 x 3.15           | Q88PD   | 68 x 55<br>2.68 x 2.17   | 70 x 50<br>2.76 x 1.97   | 72<br>2.83 | 70<br>2.76 | 70<br>2.75  | 50<br>1.97  | —<br>—     | 58<br>2.28  | 3<br>0.12 | 40<br>1.57 | 41<br>1.61 | —          |
| <b>Q1PBPCDM</b> | 75 x 73 x 79<br>2.95 x 2.87 x 3.11   | 22.5         | 82 x 80<br>3.23 x 3.15           | Q88PD   | 68 x 55<br>2.68 x 2.17   | 70 x 50<br>2.76 x 1.97   | 72<br>2.83 | 70<br>2.76 | 70<br>2.75  | 50<br>1.97  | —<br>—     | 58<br>2.28  | 3<br>0.12 | 40<br>1.57 | 41<br>1.61 | —          |
| <b>Q2PBPCD</b>  | 153 x 73 x 79<br>6.02 x 2.87 x 3.11  | 30.5         | 160 x 80<br>6.29 x 3.15          | Q168PD  | 131 x 65<br>5.15 x 2.56  | 148 x 50<br>5.83 x 1.97  | 72<br>2.83 | 70<br>2.76 | 50<br>1.97  | 148<br>5.83 | —<br>—     | 136<br>3.78 | 3<br>0.12 | 40<br>1.57 | 48<br>1.89 | 64<br>2.52 |
| <b>Q2PBPCDM</b> | 113 x 73 x 79<br>4.45 x 2.87 x 3.11  | 22.5         | 120 x 80<br>4.72 x 3.15          | Q128PD  | 131 x 65<br>5.15 x 2.56  | 108 x 50<br>4.25 x 1.97  | 72<br>2.83 | 70<br>2.76 | 50<br>1.97  | 108<br>4.25 | —<br>—     | 136<br>3.78 | 3<br>0.12 | 40<br>1.57 | 36<br>1.42 | 48<br>1.89 |
| <b>Q3PBPCD</b>  | 193 x 113 x 79<br>7.60 x 4.45 x 3.11 | 30.5         | 200 x 120<br>7.87 x 4.72         | Q2012PD | 170 x 100<br>6.69 x 3.94 | 188 x 90<br>7.40 x 3.54  | 72<br>2.83 | 70<br>2.76 | 90<br>3.54  | 188<br>7.40 | —<br>—     | 136<br>5.35 | 3<br>0.12 | 60<br>2.36 | 36<br>1.42 | 64<br>2.52 |
| <b>Q3PBPCDM</b> | 153 x 73 x 79<br>6.02 x 2.87 x 3.11  | 22.5         | 160 x 80<br>6.29 x 3.15          | Q168PD  | 170 x 100<br>6.69 x 3.94 | 148 x 50<br>5.83 x 1.97  | 72<br>2.83 | 70<br>2.76 | 50<br>1.97  | 148<br>5.83 | —<br>—     | 136<br>5.35 | 3<br>0.12 | 40<br>1.57 | 30<br>1.26 | 48<br>1.89 |
| <b>Q4PBPCD</b>  | 193 x 113 x 79<br>7.60 x 4.45 x 3.11 | 30.5         | 200 x 120<br>7.87 x 4.72         | Q2012PD | 170 x 100<br>6.69 x 3.94 | 188 x 90<br>7.40 x 3.54  | 72<br>2.83 | 70<br>2.76 | 90<br>3.54  | 188<br>7.40 | 40<br>1.57 | 176<br>6.93 | 3<br>0.12 | 28<br>1.10 | 68<br>2.68 | 64<br>2.52 |
| <b>Q4PBPCDM</b> | 193 x 113 x 79<br>7.60 x 4.45 x 3.11 | 22.5         | 200 x 120<br>7.87 x 4.72         | Q2012PD | 170 x 100<br>6.69 x 3.94 | 188 x 90<br>7.40 x 3.54  | 72<br>2.83 | 70<br>2.76 | 90<br>3.54  | 188<br>7.40 | 40<br>1.57 | 176<br>6.93 | 3<br>0.12 | 28<br>1.10 | 60<br>2.36 | 48<br>1.89 |
| <b>Q6PBPCD</b>  | 233 x 153 x 84<br>9.17 x 6.02 x 3.29 | 30.5         | 240 x 160<br>9.45 x 6.30         | Q2416PD | 211 x 148<br>8.31 x 5.83 | 228 x 130<br>8.98 x 5.12 | 78<br>3.07 | 75<br>2.95 | 138<br>5.43 | 202<br>7.95 | 75<br>2.95 | 215<br>8.46 | 4<br>0.16 | 48<br>1.89 | 56<br>2.20 | 64<br>2.52 |

A x B x C are internal dimensions.

Purchase panels separately.



QLINE D Polycarbonate Type 4X Pushbutton Hole Arrangement Drawing

Hole Arrangement

