

**LIFT-OFF CLAMP COVER, TYPE 12**

**INDUSTRY STANDARDS**

UL 50, 50E Listed; Type 12, 13; File No. E27525  
 cUL Listed per CSA C22.2 No. 94; Type 12, 13; File No. E27525  
 UL 508A Listed; Type 12, 13; File No. E61997  
 cUL Listed per CSA C22.2 No. 94; Type 12, 13; File No. E61997

NEMA/EEMAC Type 12 and 13  
 CSA, File No. 42184; Type 12  
 IEC 60529, IP65

**APPLICATION**

With a chain-secured, lift-off clamp cover, this enclosure meets basic functionality requirements for housing controls and instrumentation.

**SPECIFICATIONS**

- 16 or 14 gauge steel
- Seams continuously welded and ground smooth
- Screw-down clamps
- Lift-off cover
- Bonding provision on cover
- Chain holds cover to box when cover is removed
- Oil-resistant gasket
- Weldnuts provided for mounting optional panels and terminal block kits in size 6.00 x 4.00 in. (152 x 102 mm) and larger
- External welded-on mounting brackets for easy installation

**FINISH**

ANSI 61 gray polyester powder paint inside and out

**ACCESSORIES**

See also *Accessories*.

Clamp Kits

Fast-Operating Clamp-Cover Junction Box Clamp Panels for Junction Boxes

Terminal Block Kit Assembly for Junction Boxes

Steel and Stainless Steel Window Kits

**MODIFICATION AND CUSTOMIZATION**

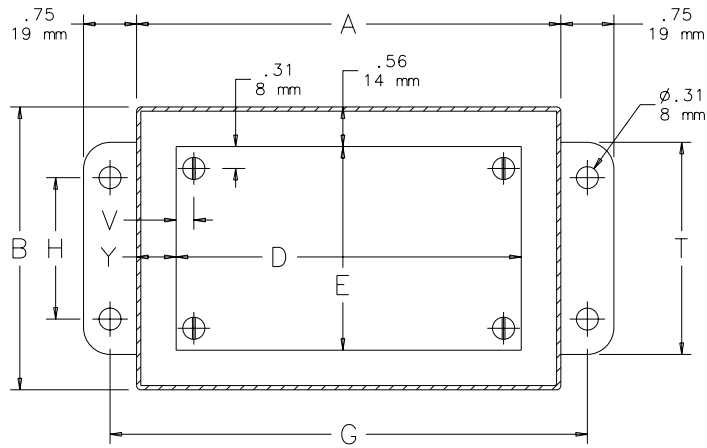
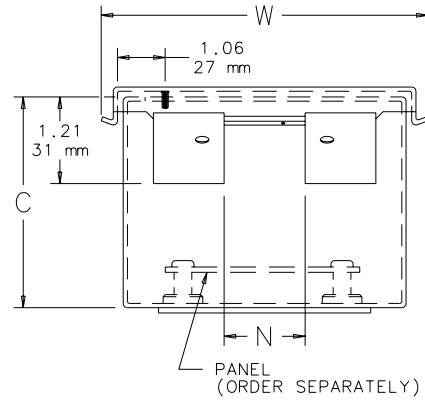
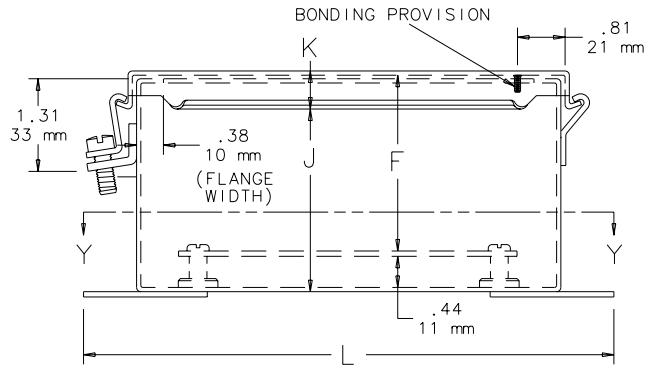
Hoffman excels at modifying and customizing products to your specifications. Contact your local Hoffman sales office or distributor for complete information.

**BULLETIN: A51LP**

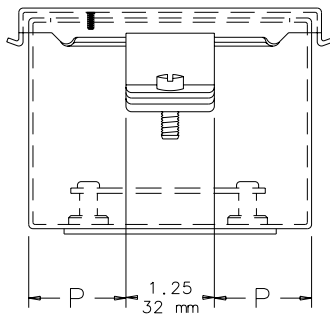
## Standard Product

Catalog Number	AxBxC in./mm	Gauge	UL Listed	Panel	Conductive Panel	Panel Size D x E in./mm	Mounting G x H in./mm	Overall L x W in./mm	F in./mm	J in./mm	K in./mm	N in./mm	P in./mm	T in./mm	V in./mm	Y in./mm
A404LP	4.00 x 4.00 x 3.00 102 x 102 x 76	16	508A	No Panel	No Panel	No Panel	4.75 x 2.00 121 x 51	5.50 x 4.57 140 x 116	—	2.62 66	0.54 14	1.31 33	1.38 35	3.00 76	—	—
A604LP	6.00 x 4.00 x 3.00 152 x 102 x 76	16	508A	A6P4	A6P4G	4.88 x 2.88 124 x 73	6.75 x 2.00 171 x 51	7.50 x 4.57 191 x 116	2.53 64	2.62 66	0.54 14	1.31 33	1.38 35	3.00 76	0.31 8	0.56 14
A806LP	8.00 x 6.00 x 3.50 203 x 152 x 89	14	50, 50E	A8P6	A8P6G	6.75 x 4.88 171 x 124	8.75 x 4.00 222 x 102	9.50 x 6.64 241 x 169	3.03 76	3.12 74	0.56 14	2.88 73	2.38 60	5.00 127	0.25 6	0.62 16
A4044LP	4.00 x 4.00 x 4.00 102 x 102 x 102	16	508A	No Panel	No Panel	No Panel	4.75 x 2.00 121 x 51	5.50 x 4.57 140 x 116	—	3.62 92	0.54 14	1.31 33	1.38 35	3.00 76	—	—
A6044LP	6.00 x 4.00 x 4.00 152 x 102 x 102	16	508A	A6P4	A6P4G	4.88 x 2.88 124 x 73	6.75 x 2.00 171 x 51	7.50 x 4.57 191 x 116	3.53 90	3.62 92	0.54 14	1.31 33	1.38 35	3.00 76	0.31 (8) 8	0.56 14
A606LP	6.00 x 6.00 x 4.00 152 x 152 x 102	16	50, 50E	A6P6	A6P6G	4.88 x 4.88 124 x 124	6.75 x 4.00 171 x 102	7.50 x 6.57 191 x 167	3.53 90	3.62 92	0.54 14	2.88 73	2.38 60	5.00 127	0.31 (8) 8	0.56 14
A808LP	8.00 x 8.00 x 4.00 203 x 203 x 102	14	50, 50E	A8P8	A8P8G	6.75 x 6.88 171 x 175	8.75 x 6.00 222 x 152	9.50 x 8.94 241 x 227	3.53 90	3.62 92	0.56 14	4.00 102	1.00 25	7.00 178	0.25 6	0.62 16
A1008LP	10.00 x 8.00 x 4.00 254 x 203 x 102	14	50, 50E	A10P8	A10P8G	8.75 x 6.88 222 x 175	10.75 x 6.00 273 x 152	11.50 x 8.57 292 x 218	3.53 90	3.62 92	0.56 14	4.00 102	1.00 25	7.00 178	0.25 (6) 6	0.62 16
A1210LP	12.00 x 10.00 x 5.00 305 x 254 x 127	14	50, 50E	A12P10	A12P10G	10.75 x 8.88 273 x 226	12.75 x 8.00 324 x 203	13.50 x 10.64 343 x 270	4.53 115	4.62 117	0.56 14	6.00 152	1.00 25	9.00 229	0.25 (6) 6	0.62 16
A8066LP	8.00 x 6.00 x 6.00 203 x 152 x 152	14	50, 50E	A8P6	A8P6G	6.75 x 4.88 171 x 124	8.75 x 4.00 222 x 102	9.50 x 6.64 241 x 169	3.03 76	3.12 74	0.56 14	2.88 73	2.38 60	5.00 127	0.25 6	0.62 16
A10086LP	10.00 x 8.00 x 6.00 254 x 203 x 152	14	50, 50E	A10P8	A10P8G	8.75 x 6.88 222 x 175	10.75 x 6.00 273 x 152	11.50 x 8.57 292 x 218	3.53 90	3.62 92	0.56 14	4.00 102	1.00 25	7.00 178	0.25 (6) 6	0.62 16
A12126LP	12.00 x 12.00 x 6.00 305 x 305 x 152	14	50, 50E	A12P12	A12P12G	10.75 x 10.88 273 x 276	12.75 x 10.00 324 x 254	13.50 x 12.28 343 x 312	5.53 140	5.51 140	0.56 14	8.00 203	1.00 25	11.00 279	0.25 6	0.62 16
A1412LP	14.00 x 12.00 x 6.00 356 x 305 x 152	14	50, 50E	A14P12	A14P12G	12.75 x 10.88 324 x 276	14.75 x 10.00 375 x 254	15.50 x 12.64 394 x 321	5.53 140	5.62 143	0.56 14	8.00 203	1.00 25	11.00 279	0.25 (6) 6	0.62 16
A1614LP	16.00 x 14.00 x 6.00 406 x 356 x 152	14	50, 50E	A16P14	A16P14G	14.75 x 12.88 375 x 327	16.75 x 12.00 425 x 305	17.50 x 14.64 445 x 372	5.53 140	5.62 143	0.56 14	10.00 254	1.00 25	13.00 330	0.25 (6) 6	0.62 16
A14128LP	14.00 x 12.00 x 8.00 356 x 305 x 203	14	50, 50E	A14P12	A14P12G	12.75 x 10.88 324 x 276	14.75 x 10.00 375 x 254	15.50 x 12.64 394 x 321	5.53 140	5.62 143	0.56 14	8.00 203	1.00 25	11.00 279	0.25 (6) 6	0.62 16
A161410LP	16.00 x 14.00 x 10.00 406 x 356 x 254	14	50, 50E	A16P14	A16P14G	14.75 x 12.88 375 x 327	16.75 x 12.00 425 x 305	17.50 x 14.64 445 x 372	5.53 140	5.62 143	0.56 14	10.00 254	1.00 25	13.00 330	0.25 (6) 6	0.62 16

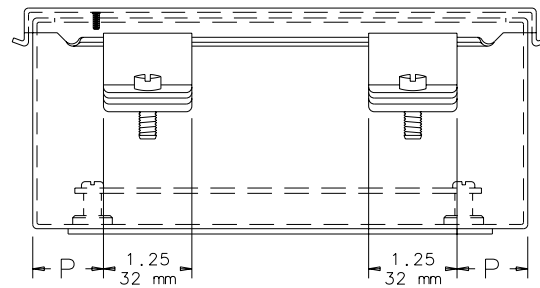
Purchase panels separately. Optional stainless steel, conductive, composite and aluminum panels are available for most sizes.



SECTION Y-Y



B < 8.00 (203mm)



B ≥ 8.00 (203mm)

C2481-C