

**HOL-SEALERS HOLE SEALS**



**INDUSTRY STANDARDS**

**Steel Hole Seals**

UL 508A Component Recognized; Type 3R, 4, 12, 13; File No. E61997

CSA File No. 42186; Type 3R, 4, 12, 13  
 NEMA/EEMAC Type 3R, 4, 12, 13  
 IEC 60529, IP66

**Stainless Steel Hole Seals**

UL 508A Component Recognized; Type 3R, 4, 4X, 12, 13; File No. E61997

CSA File No. 42186; Type 3R, 4, 4X, 12, 13  
 NEMA/EEMAC Type 3R, 4, 4X, 12, 13  
 IEC 60529, IP66

**APPLICATION**

Seal extra pushbutton holes, conduit openings and knockout openings against dust, dirt, oil and water with Hoffman Hol-Sealers. Seals will cover any size or shape of hole from .19-in. diameter to maximum diameter shown in table. Can be used on enclosure walls up to .31-in. (8-mm) thick.

**FEATURES**

- Available in multiple colors and sizes
- Oil-resistant gasket provided

**SPECIFICATIONS**

**Steel Models**

- 16 gauge galvanized steel backplate
- Plated stud (10-32x5/8) and wing nut

**Stainless Steel Models**

- 16 gauge stainless steel backplate
- Seal, backplate, stud (10-24x5/8) and wing nut are 300 series stainless steel

**FINISH**

Steel seals have polyester powder paint finish over galvanized front surface.

Stainless steel seals have polished front surface.

**BULLETIN: A80HS**

Standard Product

Catalog Number	Material	Finish/Color	For	Maximum Hole Diameter in./mm	Hol-Sealer Diameter in./mm	Package Qty.
AS056M	Steel	ANSI 61 gray	Micro	0.56 14	0.80 20	10
AS056MSS	Stainless Steel	Polished	Micro	0.56 14	0.80 20	10
AS056CB	Steel	Chrysler beige	Micro	0.56 14	0.80 20	10
AS056MFB	Steel	Ford brown	Micro	0.56 14	0.80 20	10
AS056MLG	Steel	Light gray	Micro	0.56 14	0.80 20	10
ASPBG	Steel	ANSI 61 gray	22.5mm pushbutton holes	0.88 22	1.22 31	10
ASPBGSS	Stainless Steel	Polished	22.5mm pushbutton holes	0.88 22	1.22 31	10
AS050	Steel	ANSI 61 gray	1/2-in. conduit holes	0.88 22	1.38 35	10
AS050LG	Steel	Light gray	1/2-in. conduit holes	0.88 22	1.38 35	10
AS050SS	Stainless Steel	Polished	1/2-in. conduit holes	0.88 22	1.38 35	10
AS075	Steel	ANSI 61 gray	3/4-in. conduit holes	1.06 27	1.56 40	10
AS075SS	Stainless Steel	Polished	3/4-in. conduit holes	1.06 27	1.56 40	10
AS075LG	Steel	Light gray	3/4-in. conduit holes	1.06 27	1.56 40	10
ASPB	Steel	ANSI 61 gray	30.5mm pushbutton holes	1.25 32	1.75 44	10
ASPBSS	Stainless Steel	Polished	30.5mm pushbutton holes	1.25 32	1.75 44	10
ASPBLG	Steel	Light gray	30.5mm pushbutton holes	1.25 32	1.75 44	10
AS100	Steel	ANSI 61 gray	1-in. conduit holes	1.38 35	1.88 48	10
AS100SS	Stainless Steel	Polished	1-in. conduit holes	1.38 35	1.88 48	10
AS100LG	Steel	Light gray	1-in. conduit holes	1.38 35	1.88 48	10
AS125	Steel	ANSI 61 gray	1 1/4-in. conduit holes	1.69 43	2.19 56	10
AS125SS	Stainless Steel	Polished	1 1/4-in. conduit holes	1.69 43	2.19 56	10
AS125LG	Steel	Light gray	1 1/4-in. conduit holes	1.69 43	2.19 56	10
AS150	Steel	ANSI 61 gray	1 1/2-in. conduit holes	2.00 51	2.50 64	10
AS150SS	Stainless Steel	Polished	1 1/2-in. conduit holes	2.00 51	2.50 64	10
AS150LG	Steel	Light gray	1 1/2-in. conduit holes	2.00 51	2.50 64	10
AS200	Steel	ANSI 61 gray	2-in. conduit holes	2.50 64	3.00 76	10
AS200SS	Stainless Steel	Polished	2-in. conduit holes	2.50 64	3.00 76	10
AS200LG	Steel	Light gray	2-in. conduit holes	2.50 64	3.00 76	10
AS250	Steel	ANSI 61 gray	2 1/2-in. conduit holes	3.00 76	3.50 89	1
AS250SS	Stainless Steel	Polished	2 1/2-in. conduit	3.00 76	3.50 89	1
AS300	Steel	ANSI 61 gray	3-in. conduit holes	3.62 92	4.12 105	1
AS300SS	Stainless Steel	Polished	3-in. conduit holes	3.62 92	4.12 105	1
AS350	Steel	ANSI 61 gray	3 1/2-in. conduit holes	4.12 105	4.62 117	1
AS350SS	Stainless Steel	Polished	3 1/2-in. conduit holes	4.12 105	4.62 117	1
AS400	Steel	ANSI 61 gray	4-in. conduit holes	4.62 117	5.12 130	1
AS400SS	Stainless Steel	Polished	4-in. conduit holes	4.62 117	5.12 130	1

**HOL-SEALERS NON-METALLIC HOLE SEALS**

**INDUSTRY STANDARDS**

UL 508A Component Recognized; Type 3R, 4, 4X, 12, 13; File No. E61997

CSA File No. 42186: Type 3R, 4, 4X, 12, 13  
 NEMA/EEMAC Type 3R, 4, 4X, 12, 13  
 IEC 60529, IP66

**APPLICATION**

Designed for use in corrosive environments to seal extra pushbutton holes, conduit openings and knockout openings against dust, dirt, oil and water. These hole seals are suitable for sealing enclosure openings in industries such as petroleum and chemical processing, wastewater processing, pulp and paper, outdoor monitoring and any other industry exposed to harsh environments.

**Innovative 3-in-1 self-centering design**

- Thread self-centers on one hole size
- Nut orientation "A" self-centers on a second hole size (see Nut Orientation drawing)
- Nut orientation "B" self-centers on a third hole size

**FEATURES**

- Innovative 3-in-1 self-centering design reduces inventory requirements; 3 models cover 9 common industry cutouts ranging from 1/2 in. to 2-1/2 in.
- Non-metallic construction provides superior corrosion resistance for reliability in harsh environments
- UV stabilized; ideal for direct sunlight (avoids fiberbloom associated with fiberglass)
- Chemically resistant to a broad range of chemicals
- Durable and impact resistant; resists cracking
- Sold in quantities of 2 per catalog number
- Cost-effective alternative to stainless steel
- Polyester material has a UL 94 rating of 5VA
- Easy to install; no tools required

**SPECIFICATIONS**

- Thread and nut are constructed of non-glass-filled polyester
- Oil-resistant gasket

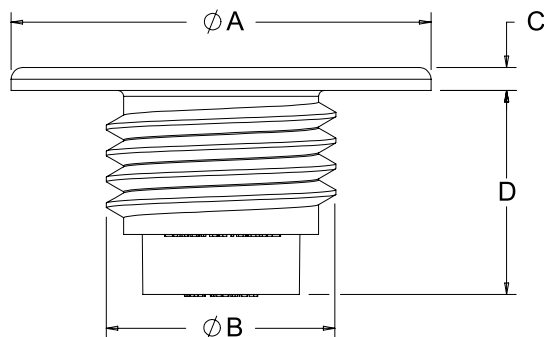
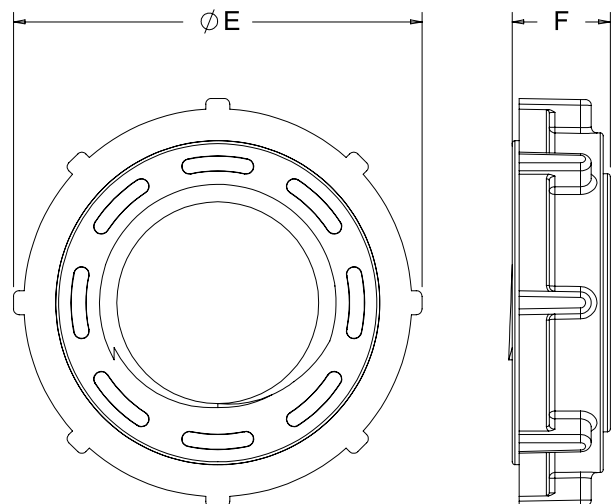
**FINISH**

RAL 7035 light-gray textured finish

**BULLETIN: A80HS**

**Standard Product Non-Metallic Hole Seals**

Catalog Number	AxBxC in./mm	Qty.	D in./mm	E in./mm	F in./mm	Max. Hole Diameter in./mm	Outside Diameter in./mm	Torque (in.-lb.)
ASPB05075NM	1.56 x 0.85 x 0.12 40 x 22 x 3	2	1.28 32	1.48 38	.47 12	1.28 33	1.56 40	15
ASPB100125NM	2.19 x 1.19 x 0.12 56 x 30 x 3	2	1.18 30	2.14 54	.51 13	1.91 49	2.19 56	20
AS150200250NM	3.50 x 1.95 x 0.12 89 x 49 x 3	2	.95 24	3.42 87	.51 13	3.14 80	3.50 89	35

**Seal**

**Nut**


87929497

**Hol-Sealers Fit These Hole Sizes**

Catalog Numbers	Fits	Min. Hole Dia. (inch)	Min. Hole Dia. (millimeter)	Nut Orientation
ASPB05075NM	.5-in. conduit holes	.86	22	A
	22.5-mm pushbutton holes	.88	22	A
	.75-in. conduit holes	1.09	28	A
ASPB100125NM	30.5-mm pushbutton holes	1.20	31	A
	1-in. conduit holes	1.36	35	B
	1.25-in. conduit holes	1.70	43	A
AS150200250NM	1.5-in. conduit holes	1.95	50	A
	2-in. conduit holes	2.38	60	B
	2.5-in. conduit holes	2.88	73	A

