

INLINE, TYPE 4X

INDUSTRY STANDARDS

Mounting brackets required to meet UL/CSA external mounting requirements.

UL 508A Listed; Type 4, 4X, 12; File No. E61997

NEMA/EEMAC Type 4, 4X, 12

CSA File No. 42186: Type 4, 4X, 12

IEC 60529, IP66

APPLICATION

Aesthetic styling, flush latches and an attractive, stroked finish make INLINE Enclosures an excellent choice when style and functionality are important. INLINE Enclosures have an outward formed body flange to prevent contaminants from entering the enclosure and are available in three cover styles: hinged window door, hinged solid door and solid screw cover.

SPECIFICATIONS

- 16 gauge covers and doors and 14 gauge bodies; Type 304 or 316L stainless steel
- Seams continuously welded and ground smooth
- External formed body flange trough
- Large perimeter body opening
- Fastening holes in back of body for direct mounting or optional external mounting brackets
- Seamless foam-in-place gasket
- M6 bonding provision on cover, M6 ground stud in body
- Furnished hardware kit includes panel mounting screws, grounding hardware and sealing washers for wall-mounting holes

INLINE Screw-Cover Enclosures

- Captivated Type 316 stainless steel cover screws with sealing bushings made of a durable composite material
- Integral compression stops maintain optimal gasket compression

INLINE Hinged-Door Enclosures

- 180-degree door opening
- Removable Type 316 stainless steel hinge pins
- Standard self-grounding, slotted, quarter-turn Type 316 stainless steel latch system with double seal

INLINE Window-Door Enclosures

- 3/16-in. (4.8-mm) clear polycarbonate window is mounted flush with cover surface
- 180-degree door opening
- Removable Type 316 stainless steel hinge pins
- Standard self-grounding, slotted, quarter-turn Type 316 stainless steel latch system with double seal

FINISH

Cover and body have smooth #4 brushed finish.

ACCESSORIES

DIN Rail or Panel Mounting Brackets
 DIN3 Type Rails
 Lock Inserts
 Mounting Bracket Kit
 INLINE Panels
 Wing Knob Latch

MODIFICATION AND CUSTOMIZATION

Hoffman excels at modifying and customizing products to your specifications. Contact your local Hoffman sales office or distributor for complete information.

BULLETIN: A54S

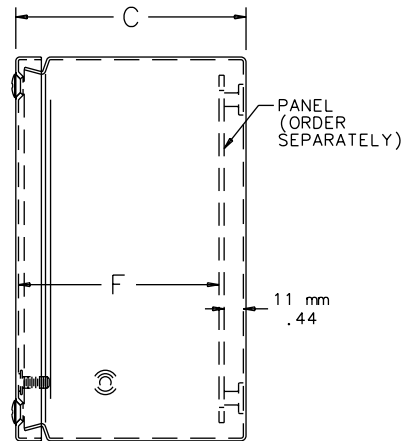
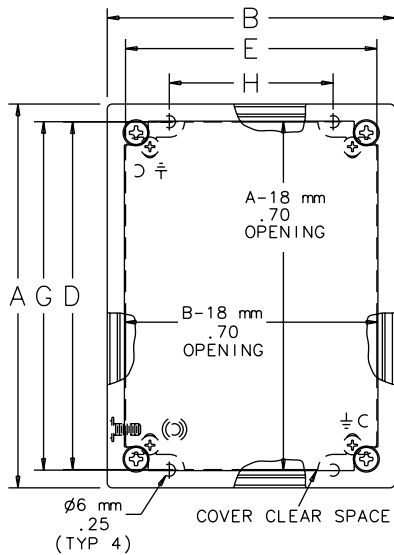
Standard Product **Screw-Cover**

| Catalog Number | AxBxC in./mm | Stainless Steel Type | Steel Panel | Conductive Panel | Panel Size D x E mm/in. | Mounting G x H mm/in. | F mm/in. |
|----------------|---|----------------------|-------------|------------------|----------------------------|---------------------------|-------------|
| LSC151512SS | 5.91 x 5.91 x 4.72 150 x 150 x 120 | 304 | LP1515 | LP1515G | 131 x 131 5.16 x 5.16 | 132 x 85 5.18 x 3.36 | 105 4.13 |
| LSC151512SS6 | 5.91 x 5.91 x 4.72 150 x 150 x 120 | 316L | LP1515 | LP1515G | 131 x 131 5.16 x 5.16 | 132 x 85 5.18 x 3.36 | 105 4.13 |
| LSC201512SS | 7.87 x 5.91 x 4.72 200 x 150 x 120 | 304 | LP2015 | LP2015G | 181 x 131 7.13 x 5.16 | 182 x 85 7.15 x 3.35 | 105 4.13 |
| LSC201512SS6 | 7.87 x 5.91 x 4.72 200 x 150 x 120 | 316L | LP2015 | LP2015G | 181 x 131 7.13 x 5.16 | 182 x 85 7.15 x 3.35 | 105 4.13 |
| LSC252015SS | 9.84 x 7.87 x 5.91 250 x 200 x 150 | 304 | LP2520 | LP2520G | 231 x 181 9.09 x 7.13 | 232 x 135 9.12 x 5.33 | 135 5.31 |
| LSC252015SS6 | 9.84 x 7.87 x 5.91 250 x 200 x 150 | 316L | LP2520 | LP2520G | 231 x 181 9.09 x 7.13 | 232 x 135 9.12 x 5.33 | 135 5.31 |
| LSC302515SS | 11.81 x 9.84 x 5.91 300 x 250 x 150 | 304 | LP3025 | LP3025G | 281 x 231 11.06 x 9.09 | 281 x 185 11.08 x 7.30 | 135 5.31 |
| LSC302515SS6 | 11.81 x 9.84 x 5.91 300 x 250 x 150 | 316L | LP3025 | LP3025G | 281 x 231 11.06 x 9.09 | 281 x 185 11.08 x 7.30 | 135 5.31 |
| LSC353020SS | 13.78 x 11.81 x 7.87 350 x 300 x 200 | 304 | LP3530 | LP3530G | 331 x 281 13.03 x 11.06 | 331 x 235 13.05 x 9.27 | 185 7.28 |
| LSC353020SS6 | 13.78 x 11.81 x 7.87 350 x 300 x 200 | 316L | LP3530 | LP3530G | 331 x 281 13.03 x 11.06 | 331 x 235 13.05 x 9.27 | 185 7.28 |

Purchase panels separately.

Catalog numbers ending in 6 are Type 316L stainless steel.

INLINE Stainless Steel Screw Cover Enclosure



11C59187

Notes:

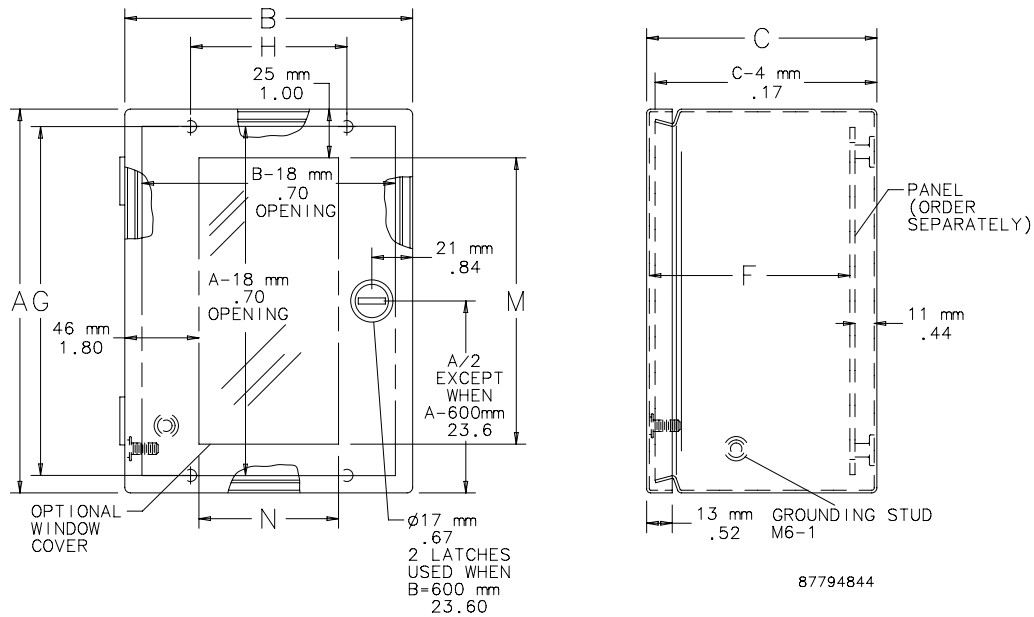
1. Panels are 2.7mm (12 gauge) steel or conductive steel.
2. Panel screws are M5-0.8 pan head.
3. Rear mounting holes will accommodate M6-1.0 or 1/4-20 UNC mounting screws (supplied by customer).

Standard Product Hinged-Cover

| Catalog Number | AxBxC in./mm | Stainless Steel Type | Steel Panel | Conductive Panel | Panel Size D x E in./mm | Mounting G x H mm/in. | F in./mm |
|----------------|---|----------------------|-------------|------------------|----------------------------|---------------------------|-------------|
| LHC151512SS | 5.91 x 5.91 x 4.72 150 x 150 x 120 | 304 | LP1515 | LP1515G | 5.16 x 5.16 131 x 131 | 132 x 85 5.18 x 3.36 | 4.13 105 |
| LHC151512SS6 | 5.91 x 5.91 x 4.72 150 x 150 x 120 | 316L | LP1515 | LP1515G | 5.16 x 5.16 131 x 131 | 132 x 85 5.18 x 3.36 | 4.13 105 |
| LHC201512SS | 7.87 x 5.91 x 4.72 200 x 150 x 120 | 304 | LP2015 | LP2015G | 7.13 x 5.16 181 x 131 | 182 x 85 7.15 x 3.36 | 4.13 105 |
| LHC201512SS6 | 7.87 x 5.91 x 4.72 200 x 150 x 120 | 316L | LP2015 | LP2015G | 7.13 x 5.16 181 x 131 | 182 x 85 7.15 x 3.36 | 4.13 105 |
| LHC252015SS | 9.84 x 7.87 x 5.91 250 x 200 x 150 | 304 | LP2520 | LP2520G | 9.09 x 7.13 231 x 181 | 232 x 135 9.12 x 5.33 | 5.31 135 |
| LHC252015SS6 | 9.84 x 7.87 x 5.91 250 x 200 x 150 | 316L | LP2520 | LP2520G | 9.09 x 7.13 231 x 181 | 232 x 135 9.12 x 5.33 | 5.31 135 |
| LHC302515SS | 11.81 x 9.84 x 5.91 300 x 250 x 150 | 304 | LP3025 | LP3025G | 11.06 x 9.09 281 x 231 | 281 x 185 11.08 x 7.30 | 5.31 135 |
| LHC302515SS6 | 11.81 x 9.84 x 5.91 300 x 250 x 150 | 316L | LP3025 | LP3025G | 11.06 x 9.09 281 x 231 | 281 x 185 11.08 x 7.30 | 5.31 135 |
| LHC353020SS | 13.78 x 11.81 x 7.87 350 x 300 x 200 | 304 | LP3530 | LP3530G | 13.03 x 11.06 331 x 281 | 331 x 235 13.05 x 9.27 | 7.28 185 |
| LHC353020SS6 | 13.78 x 11.81 x 7.87 350 x 300 x 200 | 316L | LP3530 | LP3530G | 13.03 x 11.06 331 x 281 | 331 x 235 13.05 x 9.27 | 7.28 185 |

Purchase panels separately.

Catalog numbers ending in 6 are Type 316L stainless steel.

INLINE Stainless Steel Hinged Door and Window Door Enclosure


Note: Hinged on "B" side of enclosure when B = 400mm or 600mm.

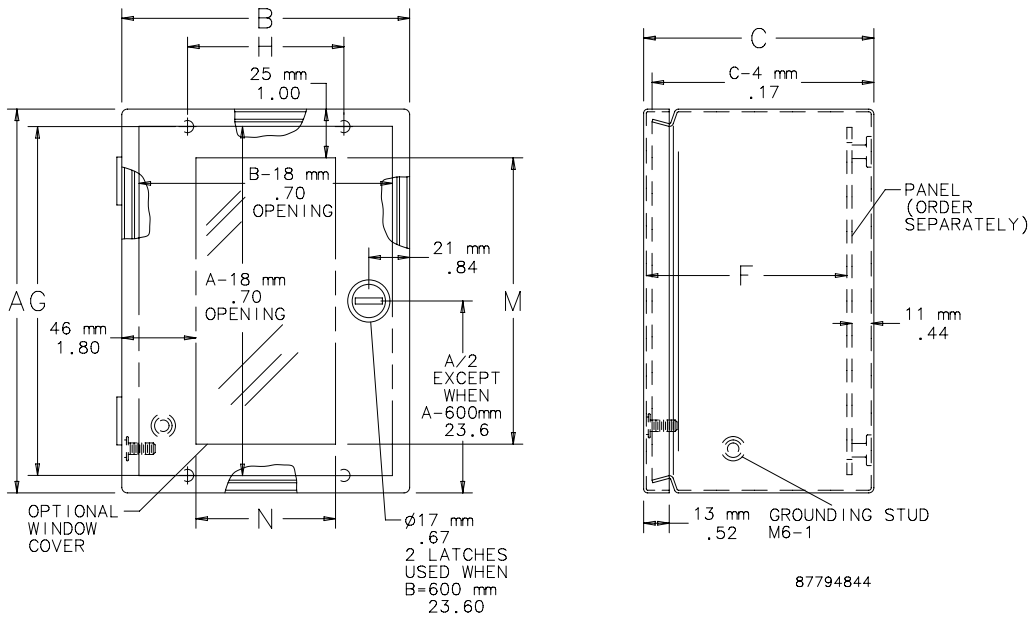
Standard Product **Window-Door**

| Catalog Number | AxBxC in./mm | Stainless Steel Type | Steel Panel | Conductive Panel | Panel Size D x E in./mm | Mounting G x H mm/in. | Window Size M x N in./mm | F in./mm |
|----------------|--|----------------------|-------------|------------------|---------------------------|---------------------------|---------------------------|-------------|
| LWC201512SS | 7.87 x 5.91 x 4.72 200 x 150 x 120 | 304 | LP2015 | LP2015G | 7.13 x 5.16 181 x 131 | 182 x 85 7.15 x 3.36 | 5.87 x 2.56 149 x 65 | 3.98 101 |
| LWC201512SS6 | 7.87 x 5.91 x 4.72 200 x 150 x 120 | 316L | LP2015 | LP2015G | 7.13 x 5.16 181 x 131 | 182 x 85 7.15 x 3.36 | 5.87 x 2.56 149 x 65 | 3.98 101 |
| LWC252015SS | 9.84 x 7.87 x 5.91 250 x 200 x 150 | 304 | LP2520 | LP2520G | 9.09 x 7.13 231 x 181 | 232 x 135 9.12 x 5.33 | 7.83 x 4.53 199 x 115 | 5.16 131 |
| LWC252015SS6 | 9.84 x 7.87 x 5.91 250 x 200 x 150 | 316L | LP2520 | LP2520G | 9.09 x 7.13 231 x 181 | 232 x 135 9.12 x 5.33 | 7.83 x 4.53 199 x 115 | 5.16 131 |
| LWC302515SS | 11.81 x 9.84 x 5.91 300 x 250 x 150 | 304 | LP3025 | LP3025G | 11.06 x 9.09 281 x 231 | 281 x 185 11.08 x 7.30 | 9.80 x 6.50 249 x 165 | 5.16 131 |
| LWC302515SS6 | 11.81 x 9.84 x 5.91 300 x 250 x 150 | 316L | LP3025 | LP3025G | 11.06 x 9.09 281 x 231 | 281 x 185 11.08 x 7.30 | 9.80 x 6.50 249 x 165 | 5.16 131 |
| LWC204015SS | 7.87 x 15.75 x 5.91 200 x 400 x 150 | 304 | LP2040 | LP2040G | 7.13 x 15.00 181 x 381 | 182 x 335 7.15 x 13.20 | 4.53 x 13.74 115 x 349 | 5.16 131 |
| LWC204015SS6 | 7.87 x 15.75 x 5.91 200 x 400 x 150 | 316L | LP2040 | LP2040G | 7.13 x 15.00 181 x 381 | 182 x 335 7.15 x 13.20 | 4.53 x 13.74 115 x 349 | 5.16 131 |
| LWC206015SS | 7.87 x 23.62 x 5.91 200 x 600 x 150 | 304 | LP2060 | LP2060G | 7.13 x 22.87 181 x 581 | 182 x 535 7.15 x 21.08 | 4.53 x 21.61 115 x 549 | 5.16 131 |
| LWC206015SS6 | 7.87 x 23.62 x 5.91 200 x 600 x 150 | 316L | LP2060 | LP2060G | 7.13 x 22.87 181 x 581 | 182 x 535 7.15 x 21.08 | 4.53 x 21.61 115 x 549 | 5.16 131 |

Purchase panels separately.

Catalog numbers ending in 6 are Type 316L stainless steel.

INLINE Stainless Steel Hinged Door and Window Door Enclosure



Note: Hinged on "B" side of enclosure when B = 400mm or 600mm.