

FLAT COVER WITH LATCHES, TYPE 4X

INDUSTRY STANDARDS

UL 508A Listed; Type 3, 3R, 4, 4X, 12, 13; File No. E54315
 cUL Listed per CSA C22.2 No 94; Type 3, 3R, 4, 4X, 12, 13; File No. E54315

Enclosure flammability per UL 508A

NEMA/EEMAC Type 3, 3R, 4, 4X, 12, 13

CSA File No. 217184; Type 3, 3R, 4, 4X, 12, 13

IEC 60529, IP66

Meets NEMA Type 3RX requirements

APPLICATION

Enclosures feature a flat, overlapping cover design that ensures a more secure seal. Available with solid and window covers. Latches provide easy access and security.

SPECIFICATIONS

- Compression-molded fiberglass construction
- Overlapping solid- and window-cover models are available
- Windows are clear polycarbonate
- Cover fastens with padlockable Type 316 stainless steel latches
- Type 304 stainless steel piano hinges
- Integral mounting brackets
- Enclosures protect equipment and operators from indirect electrical contact
- Material is halogen free

FINISH

Standard fiberglass material is RAL 7035 light-gray inside and out. Optional steel panels are painted white. Optional stainless steel, aluminum, conductive and composite panels are unpainted.

ACCESSORIES

See also Accessories.

H2OMIT Vent Drains, Type 4X

HOL-SEALERS Non-Metallic Hole Seals

Panels for Junction Boxes

Swing-Out Panel Kit

Terminal Block Kit Assembly for Junction Boxes Overview

MODIFICATION AND CUSTOMIZATION

Hoffman excels at modifying and customizing products to your specifications. Contact your local Hoffman sales office or distributor for complete information.

BULLETIN: HJ

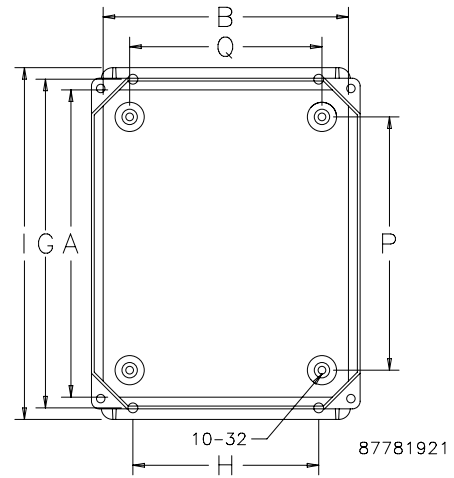
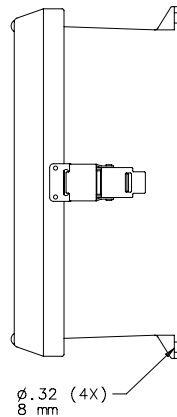
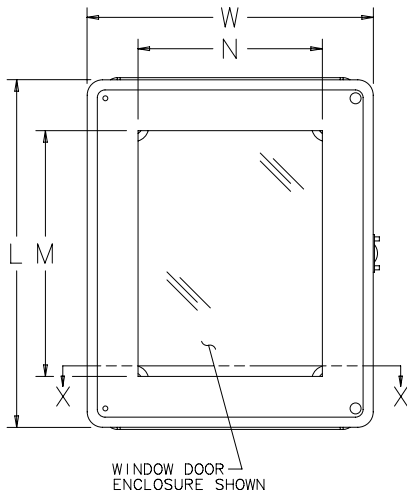
Standard Product

Catalog Number	AxBxC in./mm	No. of Latches	Window Size													Steel Panel	Aluminum Panel	Panel Size in./mm
			M x N in./mm	D in./mm	F in./mm	G in./mm	H in./mm	I in./mm	J in./mm	K in./mm	L in./mm	P in./mm	Q in./mm	W in./mm				
HJ606HWPL1LG	5.71 x 5.72 x 4.05 145 x 145 x 103	1	—	4.90	4.62	6.75	4.00	7.51	4.28	1.38	6.00	4.25	4.25	5.97	A6P6	A6P6AL	4.88 x 4.88 124 x 124	
HJ806HWPL1LG	7.71 x 5.72 x 4.05 196 x 145 x 103	1	—	4.90	4.62	8.75	4.00	9.51	4.28	1.38	9.31	6.25	4.25	7.31	A8P6	A8P6AL	6.75 x 4.88 171 x 124	
HJ1008HWPL1LG	9.71 x 7.21 x 4.30 247 x 196 x 109	1	—	5.15	4.88	10.75	6.00	11.51	4.28	1.67	11.25	8.25	6.24	9.25	A10P8	A10P8AL	8.75 x 6.88 222 x 102	
HJ1210HWPL2LG	11.68 x 9.69 x 4.62 297 x 246 x 117	2	—	5.42	5.20	12.75	8.00	13.51	4.66	1.75	13.23	10.25	8.25	11.23	A12P10	A12P10AL	10.75 x 8.88 273 x 226	
HJ1412HWPL2LG	13.81 x 11.81 x 5.99 351 x 300 x 152	2	—	6.79	6.44	14.75	10.00	15.51	5.63	1.75	15.29	10.24	12.26	13.29	A14P12	A14P12AL	12.75 x 10.88 324 x 276	
HJ1614HWPL2LG	15.81 x 13.81 x 5.99 402 x 351 x 152	2	—	6.68	6.44	16.75	12.00	17.51	5.63	1.75	17.29	14.25	12.25	15.29	A16P14	A16P14AL	14.75 x 12.88 375 x 327	
HJ1816HWPL2LG	17.81 x 15.81 x 8.86 452 x 402 x 225	2	—	9.55	9.32	18.75	12.00	19.51	8.56	1.75	19.29	16.25	14.25	17.29	A18P16	A18P16AL	16.75 x 14.88 425 x 378	
HJB606HWPL1LG	5.71 x 5.72 x 4.05 145 x 145 x 103	1	4.00 x 4.00 102 x 102	4.90	4.62	6.75	4.00	7.51	4.28	1.38	6.00	4.25	4.25	5.97	A6P6	A6P6AL	4.88 x 4.88 124 x 124	
HJB806HWPL1LG	7.71 x 5.72 x 4.05 196 x 145 x 103	1	6.00 x 4.00 152 x 102	4.90	4.62	8.75	4.00	9.51	4.28	1.38	9.31	6.25	4.25	7.31	A8P6	A8P6AL	6.75 x 1.88 171 x 124	
HJB1008HWPL1LG	9.71 x 7.21 x 4.30 247 x 196 x 109	1	8.00 x 6.00 203 x 152	5.15	4.88	10.75	6.00	11.51	4.28	1.67	11.25	8.25	6.24	9.25	A10P8	A10P8AL	8.75 x 6.88 222 x 102	
HJB1210HWPL2LG	11.68 x 9.69 x 4.62 297 x 246 x 117	2	10.00 x 8.00 254 x 203	5.42	5.20	12.75	8.00	13.51	4.66	1.75	13.23	10.25	8.25	11.23	A12P10	A12P10AL	10.78 x 8.88 273 x 226	
HJB1412HWPL2LG	13.81 x 11.81 x 5.99 351 x 300 x 152	2	12.00 x 10.00 305 x 254	6.79	6.44	14.75	10.00	15.51	5.63	1.75	15.29	10.24	12.26	13.29	A14P12	A14P12AL	12.75 x 10.88 324 x 276	
HJB1614HWPL2LG	15.81 x 13.81 x 5.99 402 x 351 x 152	2	14.00 x 12.00 356 x 305	6.68	6.44	16.75	12.00	17.51	5.63	1.75	17.29	14.25	12.25	15.29	A16P14	A16P14AL	14.75 x 12.88 375 x 327	
HJB1816HWPL2LG	17.81 x 15.81 x 8.86 452 x 402 x 225	2	16.00 x 14.00 406 x 356	9.55	9.32	18.75	12.00	19.51	8.56	1.75	19.29	16.25	14.25	17.29	A18P16	A18P16AL	16.75 x 14.88 425 x 378	

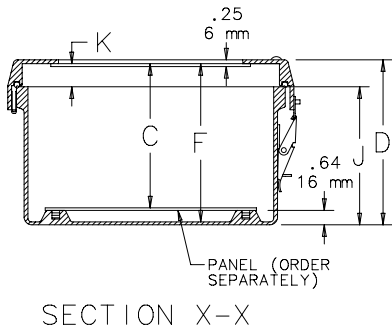
A x B x C are internal dimensions.

Purchase panels separately. Optional stainless steel, composite and aluminum panels are available for most sizes.

Flat Cover Window Enclosures



Top View with Door/Cover Removed



SECTION X-X