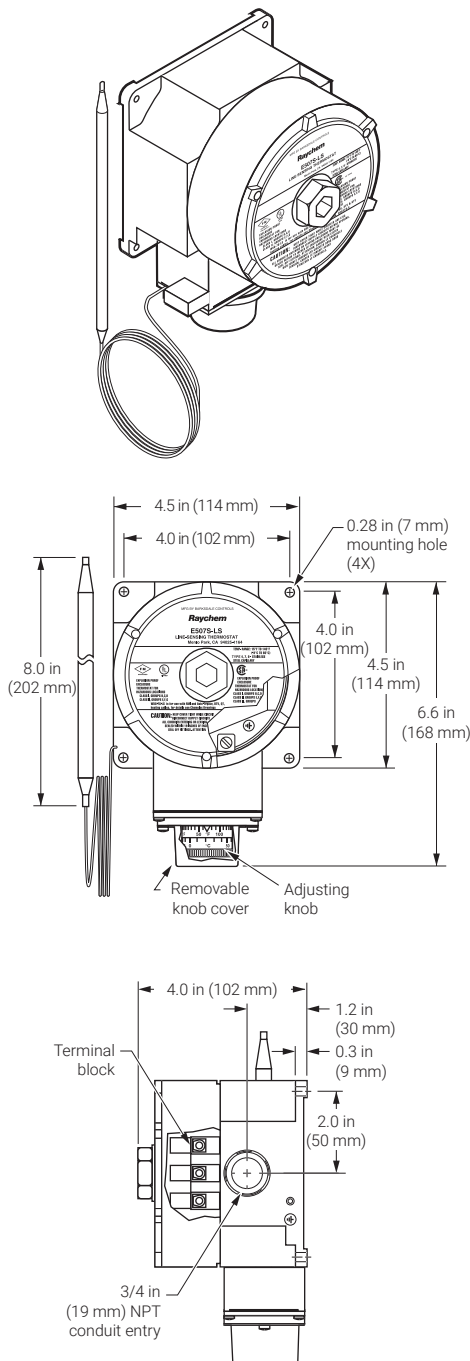


# E507S-LS



**RAYCHEM**

## LINE-SENSING THERMOSTAT FOR HAZARDOUS LOCATIONS



### PRODUCT OVERVIEW

The nVent RAYCHEM E507S-LS thermostat is designed for controlling heat-tracing systems in hazardous locations. The E507S-LS senses pipe or tank wall temperatures and can be used to control a single heat-tracing circuit or as a pilot control of a contactor switching multiple heat-tracing circuits. It can also be used to indicate low-temperature or high-temperature alarm conditions.

### SPECIFICATIONS

Enclosure	TYPE 4, 7, 9, lacquer-coated cast-aluminum housing, stainless steel hardware
Entries	One 3/4-in (19 mm) NPT conduit hub
Set point range	25°F to 325°F (-4°C to 163°C)
Sensor exposure limits	-40°F to 420°F (-40°C to 215°C)
Housing exposure limits	-40°F to 140°F (-40°C to 60°C)
Switch	SPDT
Electrical rating	22 A at 125 / 250 / 480 Vac
Accuracy	±6°F (±3.3°C)
Deadband	2°F to 12°F (1.1°C to 6.7°C) above actuation temperature
Setpoint repeatability	±3°F (±1.7°C)
Sensor type	Fluid-filled (silicone) bulb and 9 ft (2.7 m) capillary
Sensor material	300 series stainless steel
Connection terminals	Screw terminals, 10-14 AWG (2-5 mm <sup>2</sup> )

### APPROVALS

#### Hazardous Locations



Class I, Div. 1 and 2, Groups B, C, D  
Class II, Div. 1 and 2, Groups E, F, G  
Class III

**North America**

Tel +1.800.545.6258  
Fax +1.800.527.5703  
thermal.info@nvent.com

**Europe, Middle East, Africa**

Tel +32.16.213.511  
Fax +32.16.213.603  
thermal.info@nvent.com

**Asia Pacific**

Tel +86.21.2412.1688  
Fax +86.21.5426.3167  
cn.thermal.info@nvent.com

**Latin America**

Tel +1.713.868.4800  
Fax +1.713.868.2333  
thermal.info@nvent.com



[nVent.com](http://nVent.com)

Our powerful portfolio of brands:

**CADDY ERICO HOFFMAN RAYCHEM SCHROFF TRACER**