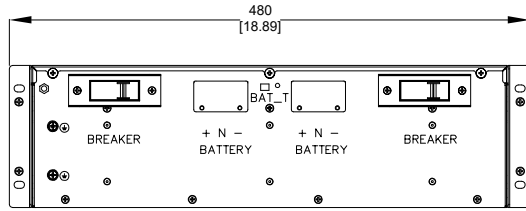
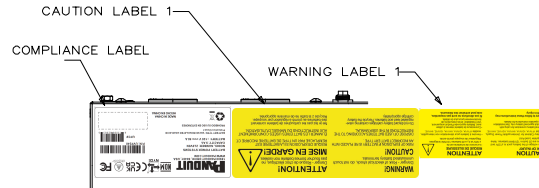
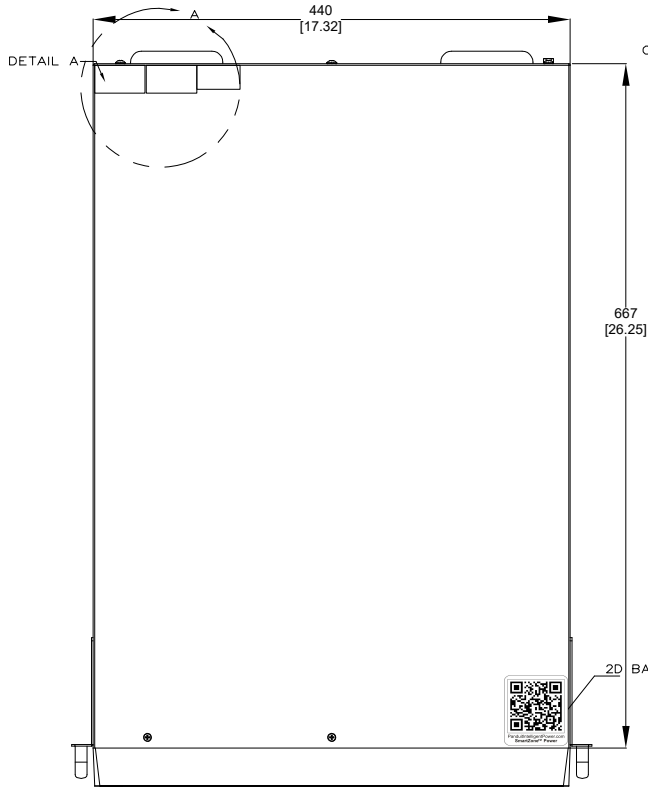


THIS COPY IS PROVIDED ON A RESTRICTED BASIS AND IS NOT TO BE USED IN ANY WAY DETRIMENTAL TO THE INTERESTS OF PANDUIT CORP.



VIEW ROTATED 180°



DETAIL A
SCALE 1:2

1. STANDARD:

USE WITH UPS CAPACITY: 5-10 KVA SINGLE PHASE UNIT
 BATTERY TYPE: VALVE REGULATED LEAD ACID-NON SPILLABLE
 NOMINAL INPUT/OUTPUT VOLTAGE: +/-120VDC FOR A TOTAL OF 240VDC
 BREAKER TYPE: 63A/1P(2)
 WEIGHT OF Pb(LEAD): 34KG
 WEIGHT OF H2SO4(SULFURIC ACID): 8KG

2. ADDITIONAL:

NONE

3. ACCESSORY COMPONENTS:

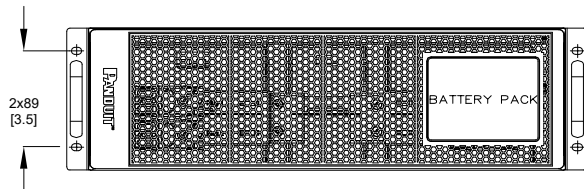
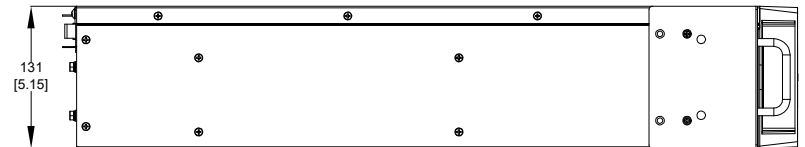
STABILIZER BRACKET, QTY:(4)
 INSTALLATION EARS, QTY:(2)
 SAFETY WARNING SHEET, QTY:(1)
 INCLUDES P/N:URMKIT2 INSTALLATION RAIL KIT, QTY:(1)
 REFER TO ASSOCIATED DRAWINGS FOR PHYSICAL DIMENSIONS AND SPECIFICATIONS
 EBP POWER CABLE, QTY:(1)
 INCLUDES P/N:UVDO240 BATTERY CARTRIDGE SET, QTY:(1)

NOTES:

- PRIMARY DIMENSIONS ARE IN MILLIMETERS. SECONDARY DIMENSIONS ARE IN INCHES
- INSTALLATION SHALL COMPLY WITH ALL APPLICABLE NATIONAL, STATE, AND LOCAL CODES
- VISIT OUR ON-LINE CATALOG AT WWW.PANDUIT.COM FOR A CURRENT LIST OF PRODUCTS APPLICABLE FOR USE WITH THIS PART
- ALL PURCHASED ITEMS CONFORM TO C2-0834 PANDUIT SPECIFICATION FOR CHEMICAL SUBSTANCES TO BE CONTROLLED IN PRODUCT AND PACKAGING

IDENTIFICATION:

PART NUMBER	DESCRIPTION	SHIPPING WEIGHT (KG)
UVP240	VRLA EXTERNAL BATTERY PACK (EBP) 2*10PCS 240V (5AH BATTERIES) CHASSIS, BATTERIES, AND RAIL KIT INCLUDED, FOR 5,6,10KVA SINGLE PHASE UPS ONLY	71.8



WE ADVISE THAT YOU CHECK AGAIN THE CUSTOMER DRAWING FOR THE DIMENSIONS AND TOLERANCES AND THAT THE DIMENSIONS AND TOLERANCES ARE IN MILLIMETERS UNLESS OTHERWISE SPECIFIED.

REV	DATE	BY	CHK	APR	DESCRIPTION	ECN
02A	08/17/2021	ZHB	ZRZ	GLM/DJ/B	B. UPDATED UL LOGO	UVP240
01A	08/17/2021	ZHB	ZRZ	GLM/DJ/B	A. ADDED NOTE UNDER VIEW	UVP240
00A	08/17/2021	ZHB	ZRZ	GLM/DJ/B	RELEASE TO PRODUCTION	UVP240

FILE	EXTERNAL BATTERY PACK UVP240
REV NUMBER	UVP240/02
DATE	08/17/2021
DESCRIPTION	UVP240-DC/02A
UNLESS OTHERWISE SPECIFIED, DIMENSIONAL TOLERANCES ARE: MM (IN)	N/A
REVISED BY	GLM/DJ/B
DATE	08/17/2021
REVISED BY	CHK
DATE	08/17/2021
REVISED BY	MJD
DATE	VARIOUS

THIS COPY IS PROVIDED ON A RESTRICTED BASIS AND IS NOT TO BE USED IN ANY WAY DETRIMENTAL TO THE INTERESTS OF PANDUIT CORP.



BATTERY POWER SYSTEMS
 MODEL NUMBER: 2L0V0N
 CAPACITY: 9 Ah
 BATTERY: ±120 V 50 A



P/N: UVP240



BATTERY TYPE: VALVE REGULATED LEAD ACID

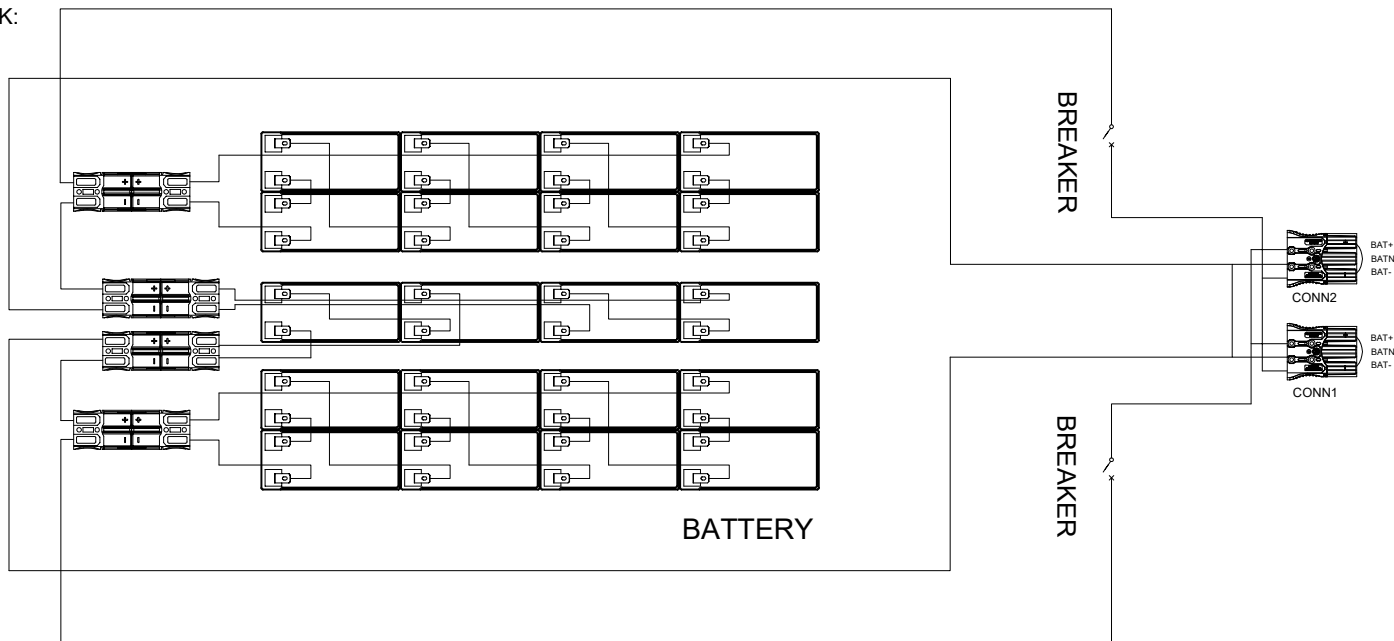
Protective Class: I

PROHIBIDO SU USO EN EXTERIORES



MADE IN CHINA
 HECHO EN CHINA

EXTERNAL BATTERY PACK:
 UVP240



LEGEND					
SYMBOL	DESCRIPTION	SYMBOL	DESCRIPTION	SYMBOL	DESCRIPTION
	CIRCUIT BREAKER		AC-DC CONVERSION		F5 TV
	RELAY		DC-DC CONVERSION		OPERARY
	DC CIRCUIT BREAKER		BATTERY SYMBOL		FUSE
	DC-DC CONVERSION		BATTERY UNIT		BATTERY UNIT

REV	DATE	BY	CHK	APR	DESCRIPTION	ECN
02A	08/14/2021	ZHB	ZRM	GLM/DJB	B. UPDATED UI LOGO	UVP240
01A	03/01/2021	ZHB	ZRM	GLM/DJB	A. ADDED NOTE UNDER VIEW	UVP240
00A	08/17/2021	ZHB	ZRM	GLM/DJB	RELEASE TO PRODUCTION	UVP240

EXTERNAL BATTERY PACK
 UVP240

CUSTOMER DRAWING

UVP240/02
 UVP240-DC/02A

DATE: 08/17/2021
 TIME: 10:00 AM
 DRAWN BY: M.D.
 CHECKED BY: VARIOUS

THIRD ANGLE PROJECTION

UVP240-DC

SHT 1 OF 2