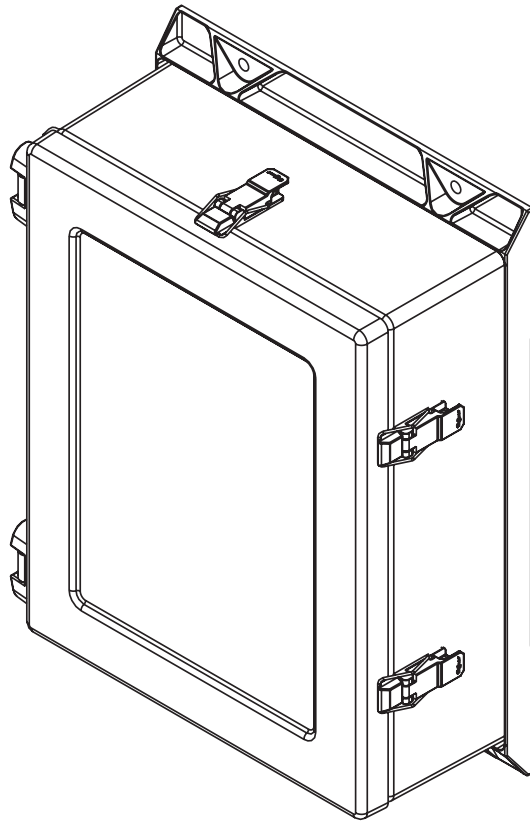


## A17Y / A17W3

### Fiberglass Wall-Mount Enclosure



## BULLETIN A-17 INSTRUCTIONS

nVent HOFFMAN cannot assure the safety or effectiveness of any alterations or additions not made by Hoffman Enclosure Inc. However, the following information may be helpful. These instructions do not eliminate the need to consult with equipment manufacturers and to observe all regulatory agency procedures and safe practices to assure the proper electrical and mechanical function of nVent HOFFMAN products in each particular application.

### 1. PAINTING

The finish on the outside of this enclosure is a molded polyester surface. Should a color change be necessary, the enclosure may be painted with an appropriate lacquer or enamel. For maximum durability, exterior polyurethane is recommended. Very thorough sanding and priming is required for paints to properly adhere.

**IMPORTANT: TO AVOID DISCOLORATION OR GASKET DAMAGE, DO NOT BAKE OVER 175° FOR MORE THAN TWO HOURS.**

### 2. DOOR CLOSING ADJUSTMENTS

#### A. SINGLE DOOR (WALL MOUNTED)

Doors are factory fit to close and mate perfectly to the body. If the surface on which the enclosure is mounted is not flat, the enclosure will not be square and the door may not open and close properly. Also, if equipment is mounted on a door, the door may sag slightly. Should the top of the door appear to sag when closed, place shims behind the mounting foot which is located at the bottom of the enclosure and closest to the door hinge. Shims should be of a material suitable for the intended environment. Place the shims between the mounting foot and the wall or mounting surface. Be sure all mounting screws are tight. Should the top of the door appear to be higher than the body when closed, shim the upper mounting foot closest to the door hinge.

#### B. TWO DOOR (FLOOR MOUNTED)

The individual doors are factory-fitted to meet evenly at the top and bottom. If the floor under the enclosure is not level, the doors will not close evenly. In this case, place shims under the corners of the enclosure.

### 3. PANEL INSTALLATION

When installing the interior panel, it may be necessary to enlarge the panel hole(s) slightly to permit the panel to fit in place. Do not attempt to straighten studs.

### 4. REMOVING AND REINSTALLING DOOR

This is an easy operation requiring a 7/16" wrench. When reinstalling hinges to the body, use a high quality sealant in order to maintain NEMA 4 sealing. Torque fasteners to 35 inch/pounds.

### 5. WINDOWS

nVent HOFFMAN standard window kit accessories can be installed in fiberglass wall-mount and free-standing enclosures. Stainless steel window kits will maintain NEMA 4X rating.

### 6. DRILLING OR PUNCHING HOLES

A standard sharp metal cutting drill bit or hole saw may be used to drill holes in Bulletin A17 enclosures. Greenlee punches may be used. For large quantities of close tolerance holes, machining the holes is recommended.

### 7. PRINT POCKET

The print pocket is supplied loose with the enclosure. It can be mounted at a customer determined location with the tape provided. Mounting surface must be free of dirt and oil.

### 8. LIFTING ENCLOSURES

To lift an enclosure which has eyebolts or mounting feet, be sure to use all of the eyebolts and top mounting feet provided. Arrange the chains or cables with spreader bars, so you are lifting straight up on the eyebolts or top mounting feet.

### 9. VENTILATION

Some ventilation options require cutouts in an enclosure and may derate the enclosure rating. nVent HOFFMAN offers UL Type 3R fan shrouds that may be installed over some accessories to maintain a Type 3R rating.

### 10. TRANSPORTATION

nVent HOFFMAN gasketed enclosures have exceptionally good seals. This quality can prove to be detrimental when a sealed enclosure is transported by air or over the mountains. Under certain conditions descent will create a vacuum inside the enclosure which can cause permanent damage to the enclosure. Always allow some type of venting in the enclosure when shipping. We recommend using the packaging spacers provided with the factory shipping carton.

### 11. INTENDED APPLICATION

Standard nVent HOFFMAN enclosures are designed for static applications. Enclosures to be subjected to dynamic load from vibration, wind, shock, etc., will require additional evaluation which is the responsibility of the specifying engineer.

### 12. ENCLOSURE RATING

To maintain enclosure rating when introducing holes and/or cutouts in an enclosure, openings need to be filled with an appropriately rated device. To obtain a UL/CSA 3R rating, one or two 1/4 inch (6 mm) diameter hole(s) must be drilled in the bottom surface of the enclosure at the lowest point(s), typically in opposite corners (see ventilation).

SEE THE ACCESSORIES SECTION OF THE HOFFMAN CATALOG FOR ADDITIONAL ITEMS.

# 1. INSTALLATION OF CONDUIT

Conduit holes can be cut in the ends and side walls of this enclosure when required. (See table below for the required hole size). Use a hole saw or Greenlee-type hole cutter to cut the required holes. Conduit connections must be properly aligned to the enclosure wall to prevent unnecessary stress on the enclosure walls.

CONDUIT CONNECTORS (HUBS) TO BE USED FOR INSTALLATION OF CONDUIT	
CONDUIT SIZE	TYPICAL HOLE SIZE
1/2"	7/8"
3/4"	1-1/8"
1"	1-3/8"
1-1/4"	1-3/4"
1-1/2"	2"
2"	2-1/2"
2-1/2"	3"
3"	3-5/8"

WARNING

To avoid electric shock, grounding must be installed by the customer as part of the installation. Non-metallic enclosures do not provide grounding between conduit connections.

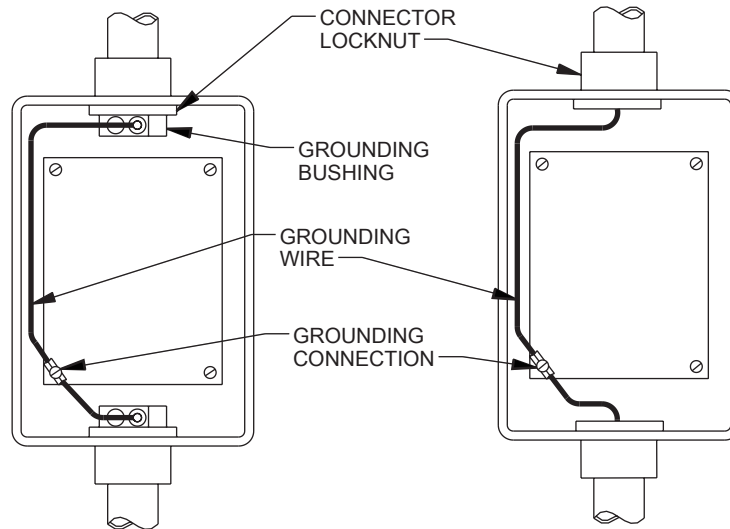
## GROUNDING OF EQUIPMENT AND CONDUIT

Ground in accordance with the requirements of the National Electrical Code.

Conduit hubs for metallic conduit must have a grounding bushing attached to the hub on the inside of the enclosure. Grounding bushings have provisions for connection of a grounding wire.

Non-metallic conduit and hubs require the use of a grounding wire in the conduit. Grounding bushings are not required.

System grounding is provided by connection wires from all conduit entries to the subpanel or to other suitable point which provides continuity. Any device having a metal portion or portions extending out of the enclosure must also be properly grounded.



For CALIFORNIA residents only:

**WARNING:** This product contains chemicals known to the State of California to cause cancer and birth defects or other reproductive harm.

Please note that by posting this Proposition 65 warning, we are notifying you that one or more of the Proposition 65 listed chemicals may be present in this product. With Hoffman's products, the exposure to these chemicals may be of no significant risk to you, but out of caution and to ensure your well-being, we have elected to place this warning on our site to make sure our customers are informed.

You can find more information at <http://www.oehha.ca.gov/proposition-65/about-proposition-65>.

