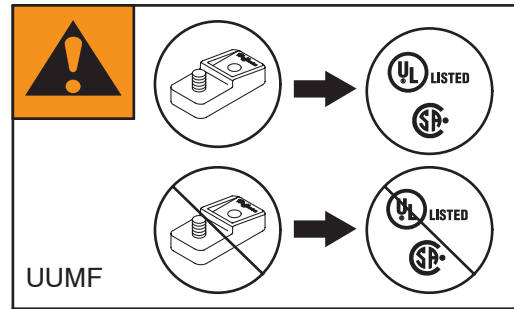
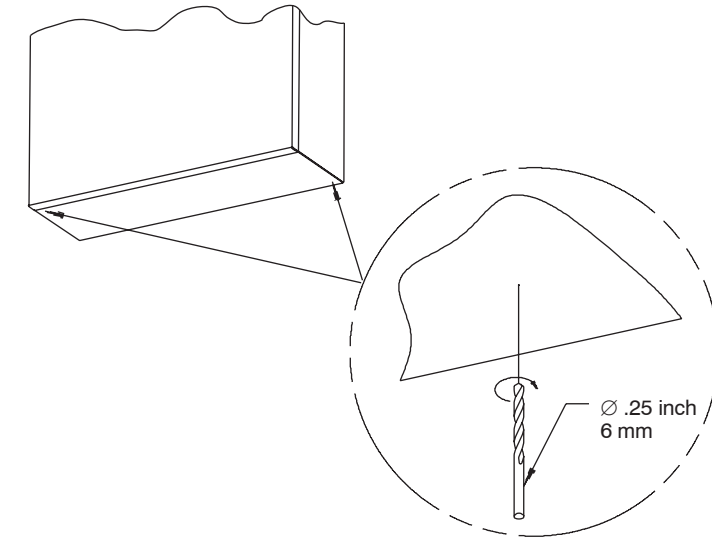




ULTRX®

UL/CSA Type 3R



WARNING

To avoid electric shock, grounding must be installed by the customer as part of the installation. Non-metallic enclosures do not provide grounding between conduit connections.

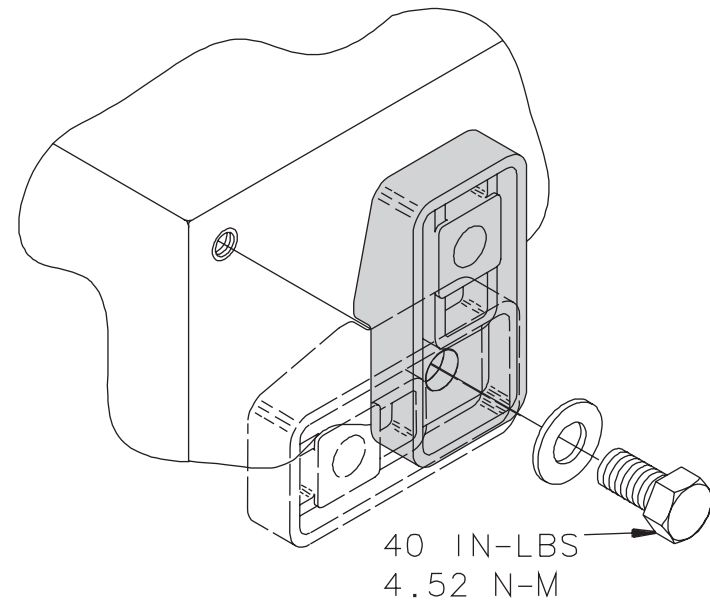
GROUNDING OF EQUIPMENT AND CONDUIT

Ground in accordance with the requirements of the National Electrical Code.

Conduit hubs for metallic conduit must have a grounding bushing attached to the hub on the inside of the enclosure. Grounding bushings have provisions for connection of a grounding wire.

Non-metallic conduit and hubs require the use of a grounding wire in the conduit. Grounding bushings are not required.

System grounding is provided by connection wires from all conduit entries to the subpanel or to other suitable point which provides continuity. Any device having a metal portion or portions extending out of the enclosure must also be properly grounded.



Typical Grounding Illustrations

