

WEATHERPRO OUTDOOR PAD MOUNT, TYPE 3R



INDUSTRY STANDARDS

UL 508A Listed; Type 3R; File No. E61997 cUL/CSA C22.2 No. 94 Listed; Type 3R; File No. E61997

NEMA/EEMAC Type 3R
IEC 60529, IP32

APPLICATION

WEATHERPRO Outdoor Pad Mount Enclosures protect controls, drives, power distribution components or contactors in outdoor commercial or industrial power distribution and control applications. The overlapping two-door models with no centerpost allow full-width access to enclosure interior.

FEATURES

- 3-point latching system with heavy duty handle
- Padlock provision in handle
- Open bottom with pre-punched mounting hole flange
- Drip edge overhang on top
- Louvered overhang with a closure plate
- Studs included for mounting optional panels on threaded bolts
- Welded body construction
- Sturdy 7 gauge lifting tabs
- Overlapping doors with no centerpost on two-door models
- Bonding provision on each door
- Bolted hinges on doors

SPECIFICATIONS

- 14 gauge galvanized steel

FINISH

RAL 7035 light-gray polyester powder paint inside and outside. Optional panels are white.

ACCESSORIES

See also Accessories.

- Fan Shroud Kits
- 19-in. Fixed Wall-Mount Rack
- 19-in. Hinged Wall-Mount Panel
- Insect Screens

MODIFICATION AND CUSTOMIZATION

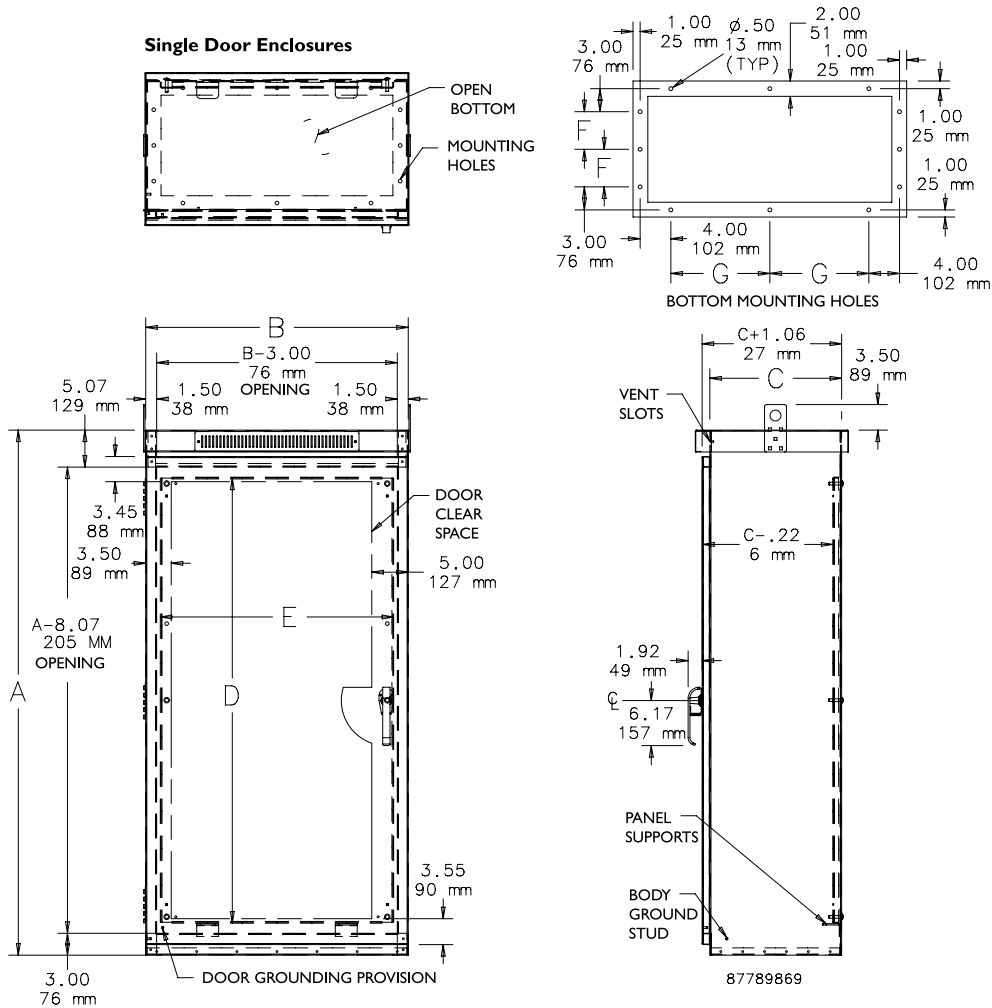
Hoffman excels at modifying and customizing products to your specifications. Contact your local Hoffman sales office or distributor for complete information.

BULLETIN: A3PM, A51NF

Standard Product **WEATHERPRO Outdoor Pad-Mount Type 3R Single Door Enclosures**

Catalog Number	AxBxC in./mm	Panel	Panel Size D x E in./mm	Mounting Dimensions F x G in./mm
A48R3612FSLP	48.00 x 36.00 x 12.00 1219 x 914 x 305	A37P32N	37.16 x 32.00 944 x 813	3.78 x 12.90 96 x 328
A48R3618FSLP	48.00 x 36.00 x 18.00 1219 x 914 x 457	A37P32N	37.16 x 32.00 944 x 813	4.90 x 12.90 124 x 328
A60R2518FSLP	60.00 x 25.00 x 18.00 1524 x 635 x 457	A49P21N	49.16 x 21.50 1249 x 546	4.90 x 7.40 124 x 188
A60R2524FSLP	60.00 x 25.00 x 24.00 1524 x 635 x 610	A49P21N	49.16 x 21.50 1249 x 546	7.90 x 7.40 201 x 188
A60R3618FSLP	60.00 x 36.00 x 18.00 1524 x 914 x 457	A49P32N	49.16 x 32.00 1249 x 813	4.90 x 12.90 124 x 328
A72R2518FSLP	72.00 x 25.00 x 18.00 1829 x 635 x 457	A61P21N	61.16 x 21.50 1553 x 546	4.90 x 7.40 124 x 188
A72R3618FSLP	72.00 x 36.00 x 18.00 1829 x 914 x 457	A61P32N	61.16 x 32.00 1553 x 813	4.90 x 12.90 124 x 328
A72R3624FSLP	72.00 x 36.00 x 24.00 1829 x 914 x 610	A61P32N	61.16 x 32.00 1553 x 813	7.90 x 12.90 201 x 328

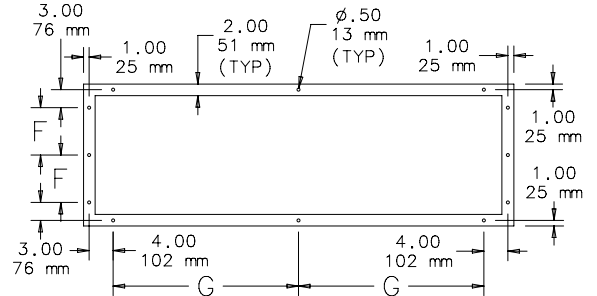
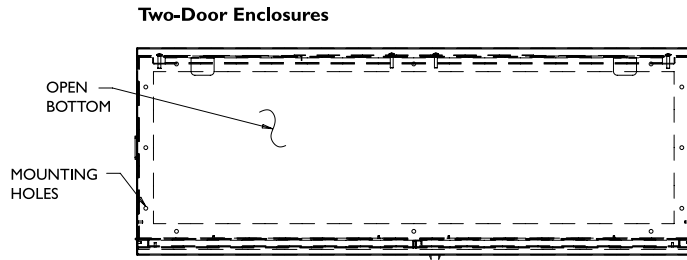
Purchase panels separately.



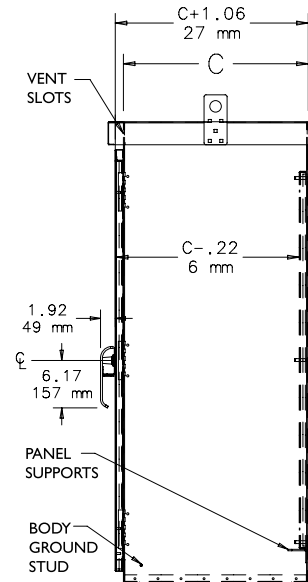
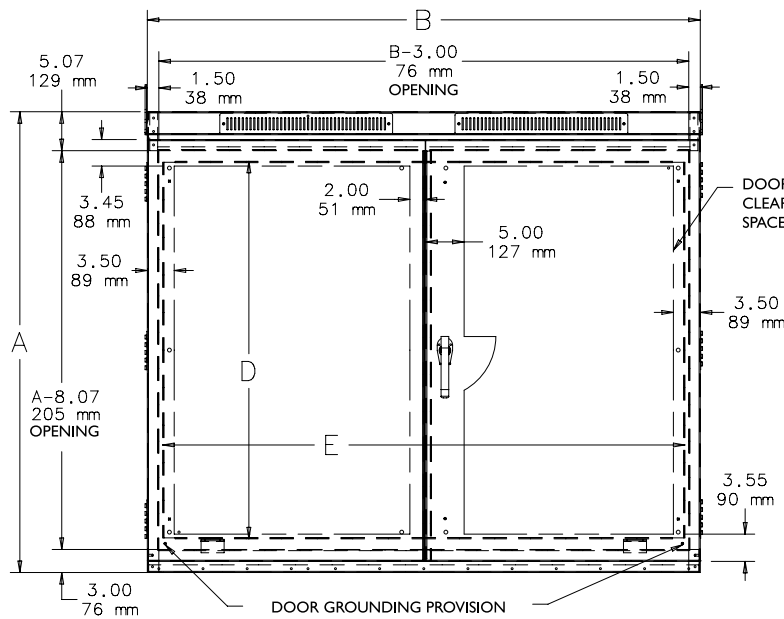
Standard Product **WEATHERPRO Outdoor Pad-Mount Type 3R Two-Door Enclosures**

Catalog Number	AxBxC in./mm	Panel	Panel Size D x E in./mm	Mounting Dimensions F x G in./mm
A60R5218FSLP	60.00 x 52.00 x 18.00 1524 x 1321 x 457	A49P48N	49.16 x 48.00 1249 x 1219	4.90 x 20.90 124 x 531
A60R5224FSLP	60.00 x 52.00 x 24.00 1524 x 1321 x 610	A49P48N	49.16 x 48.00 1249 x 1219	7.90 x 20.90 201 x 531
A60R7224FSLP	60.00 x 72.00 x 24.00 1524 x 1829 x 610	A49P68N	49.16 x 68.00 1249 x 1727	7.90 x 30.90 201 x 785
A72R7218FSLP	72.00 x 72.00 x 18.00 1829 x 1829 x 457	A61P68N	61.16 x 68.00 1553 x 1727	4.90 x 30.90 124 x 785
A72R7224FSLP	72.00 x 72.00 x 24.00 1829 x 1829 x 610	A61P68N	61.16 x 68.00 1553 x 1727	7.90 x 30.90 201 x 785

Purchase panels separately.



BOTTOM MOUNTING HOLES



87789871

19-IN. HINGED WALL-MOUNT PANEL



INDUSTRY STANDARDS

UL 2416 Listed; File No. E230874
 cUL Listed per CSA C22.2 No. 182.4; File No. E230874

EIA 310-D

APPLICATION

The 19-in. Hinged Panel provides a solution for smaller network equipment, punch-downs and patch panels in areas where floor space is at a premium. Easy access facilitates component installation and future expansion without disturbing existing equipment or cabling. Can be mounted with hinges on left or right side.

FEATURES

- Open design offers unrestricted airflow
- Large cable exit holes on back surface
- Keyhole mounting slots on 16-in. centers accommodate up to 3/8-in. dia. mounting fasteners (not supplied)
- Heavy duty hinges are welded to frame
- Hinge provided for every two rack unit spacing
- One rack unit model has half-size hinge
- Provides access to rear of equipment
- 12-24 rack mounting screws (package of 20) included with assembly
- Wall mounting hardware not included

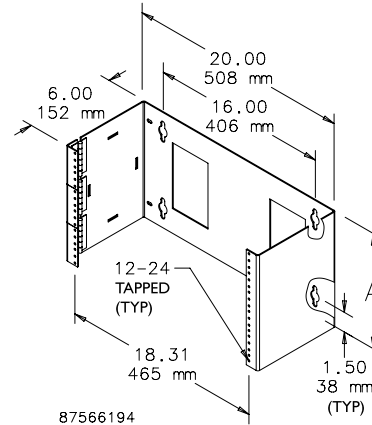
SPECIFICATIONS

- Made of 12 gauge steel
- EIA universal 5/8, 5/8, 1/2 in. spaced 12-24 tapped holes. EIA spacing provides 1.75 in. per rack unit.

FINISH

Finish is RAL 9005 black low-gloss polyester powder paint

BULLETIN: DOFRW



Standard Product

Catalog Number	A (in.)	A (mm)	Load Rating (lb.)	Load Rating (kg)	Rack Units
E19HPM1U	1.75	44	25	11.3	1
E19HPM2U	3.50	89	50	22.7	2
E19HPM4U	8.00	203	100	45.4	4
E19HPM6U	10.50	267	150	68.0	6
E19HPM8U	14.00	356	200	90.7	8

19-IN. FIXED WALL-MOUNT RACK



BULLETIN: DOFRW

Catalog Number	A (in.)	A (mm)	Load Rating (lb.)	Load Rating (kg)	Rack Units
E19FWM12U20	23.00	584	150	68.0	12
E19FWM20U20	37.00	940	150	68.0	20
E19FWM25U20	45.75	1162	150	68.0	25
E19FWM32U20	58.00	1473	150	68.0	32

INDUSTRY STANDARDS

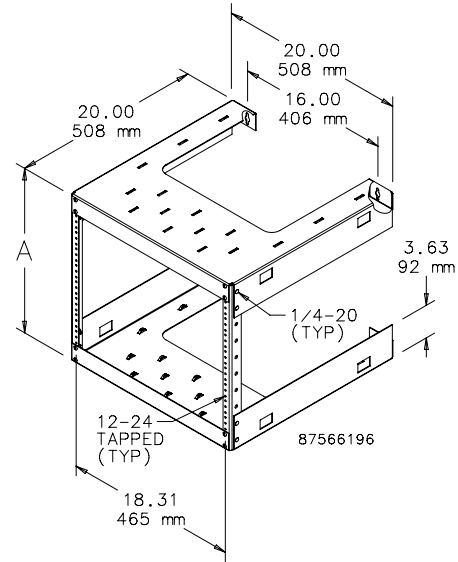
UL 2416 Listed; File No. E230874
 cUL Listed per CSA C22.2 No. 182.4; File No. E230874

EIA 310-D

APPLICATION

Economical solution for banks of small networking equipment. Integral VELCRO® cable tiedown slots facilitate cable routing. Made of 16 gauge steel, finished with RAL 9005 low gloss black polyester powder paint. Shipped in four easy-to-assemble sections.

VELCRO is a trademark of Velcro Industries B.V.



INSECT SCREENS



Fastens over ventilation slot with two screws provided. Requires one for single-door enclosure and two for two-door enclosure. Purchase insect screens separately.

BULLETIN: A3PM

Catalog Number	Description	Requires
A3PMIS	Insect Screen	One for one-door enclosure and two for two-door enclosure

FAN SHROUD KITS, TYPE 3R



APPLICATION

Fan shroud kits are available for outdoor enclosure applications requiring Type 3R ventilation protection from falling rain, sleet and snow.

BULLETIN: D85

Catalog Number	Material	Height x Width (in.)	Height x Width (mm)
T4S3R	Steel	6.00 x 6.00	152 x 152
T6S3R	Steel	8.00 x 8.00	203 x 203
T10S3R	Steel	12.00 x 12.00	305 x 305
T4S3RSS	Stainless Steel	6.00 x 6.00	152 x 152
T6S3RSS	Stainless Steel	8.00 x 8.00	203 x 203
T10S3RSS	Stainless Steel	12.00 x 12.00	305 x 305

INDUSTRY STANDARDS

Maintains UL/cUL Type 3R rating when properly installed on UL/cUL Type 3R enclosure.

UL 508A Listed; Type 3R; File No. E61997
 cUL Listed per CSA C22.2 No 94; Type 3R; File No. E61997

NEMA/EEMAC Type 3R
 IEC 60529, IP22

