

Hammer-On Flange Clip & Conduit Clip

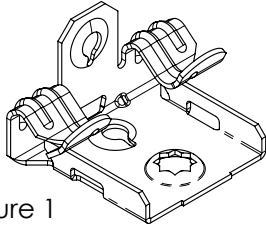


Figure 1

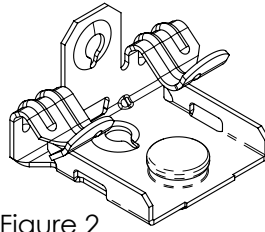


Figure 2

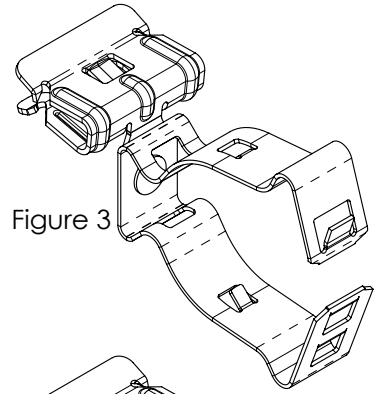


Figure 3

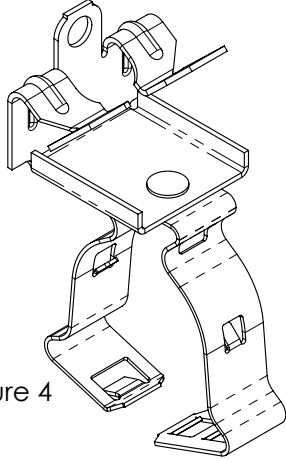


Figure 4

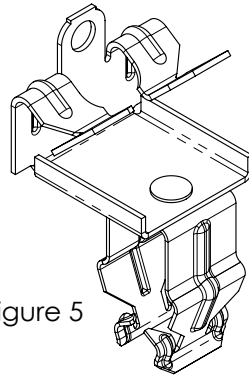


Figure 5

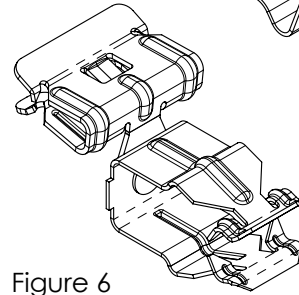


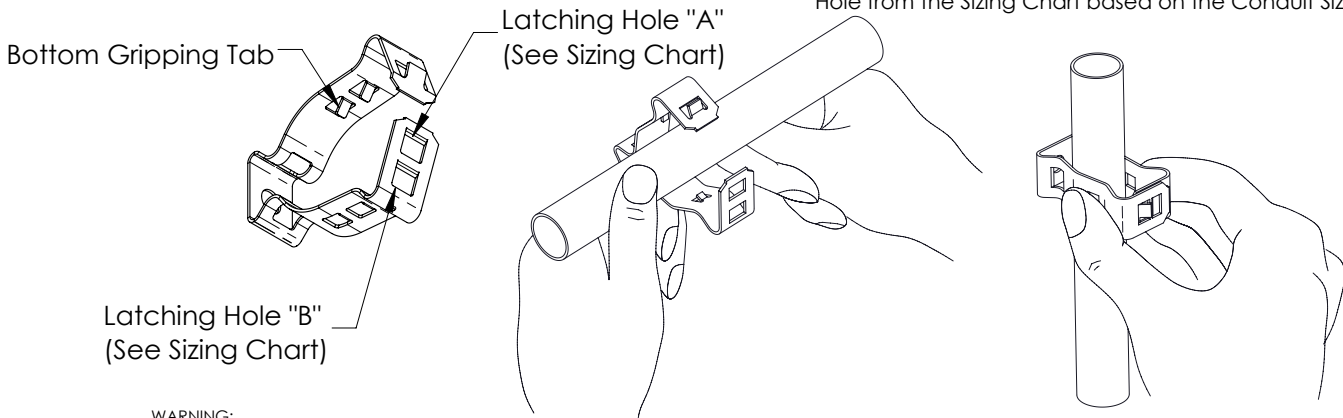
Figure 6

Conduit Clip Installation

1. Select the appropriate Latching Hole from Sizing Chart
2. Fit Conduit into Conduit Clip
For the 16M, compress the Bottom Gripping Tabs prior to installing the 3/4" RIGID and the 1" RIGID Conduit
3. By Hand or with Channel Lock Pliers, snap Locking Tab into the desired Latching Hole

Global Part Number	Local Part Number	Sizing Chart	
		Latch "A"	Latch "B"
6M	170790	3/8" EMT, IMC & RIGID	N/A
812M	177130	3/4" EMT, IMC & RIGID	1/2" EMT, IMC & RIGID
16M	170100	1" EMT, IMC & RIGID	3/4" EMT, IMC & RIGID
20M	170110	1-1/4" RIGID	1-1/4" EMT & IMC
24M	170120	1-1/2" RIGID	1-1/2" EMT & IMC
32M	170130	2" RIGID	2" EMT & IMC

For Thread Impression Conduit Clip's, select the appropriate Latching Hole from the Sizing Chart based on the Conduit Size being used.



WARNING:

1. nVent products shall be installed and used only as indicated in nVent product instruction sheets and training materials. Instruction sheets are available at www.nVent.com and from your nVent customer service representative.
2. nVent products must never be used for a purpose other than the purpose for which they were designed or in a manner that exceeds specified load ratings.
3. All instructions must be completely followed to ensure proper and safe installation and performance.
4. Improper installation, misuse, misapplication or other failure to completely follow nVent's instructions and warnings may cause product malfunction, property damage, serious bodily injury and/or death, and void your warranty.
5. Products that are manufactured using spring steel components shall be used only in a non-corrosive indoor environment.
6. All pipe supports, hangers, intermediate components and structural attachments must **ONLY** be used as described herein and are **NEVER** to be used for any other purpose.

NOTE: All load ratings are for static conditions and do not account for dynamic loading such as wind, water or seismic loads, unless otherwise noted.

The customer is responsible for:

- a. Conformance to all governing codes.
- b. The integrity of structures to which the products are attached, including their capability of safely accepting the loads imposed, as evaluated by a qualified engineer.
- c. Using appropriate industry standard hardware as noted above.

SAFETY INSTRUCTIONS:

All governing codes and regulations and those required by the job site must be observed. Always use appropriate safety equipment such as eye protection, hard hat, and gloves as appropriate to the application.

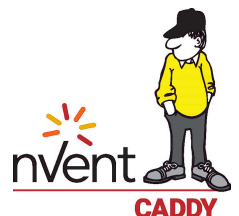
nVent, nVent CADDY, nVent ERICO Cadweld, nVent ERICO Critec, nVent ERICO, nVent ERIFLEX, and nVent LENTON are owned by nVent or its global affiliates. All other trademarks are the property of their respective owners. nVent reserves the right to change specifications without prior notice.

TECHNICAL SUPPORT:
www.nVent.com

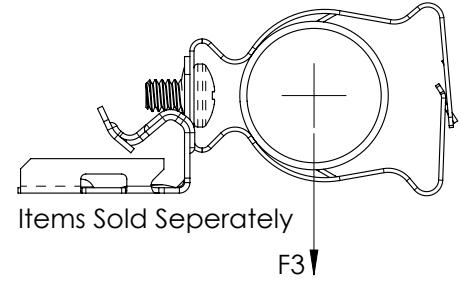
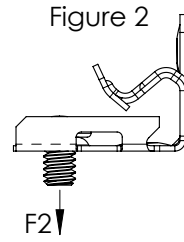
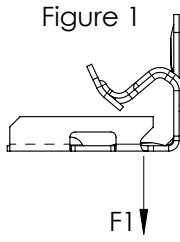
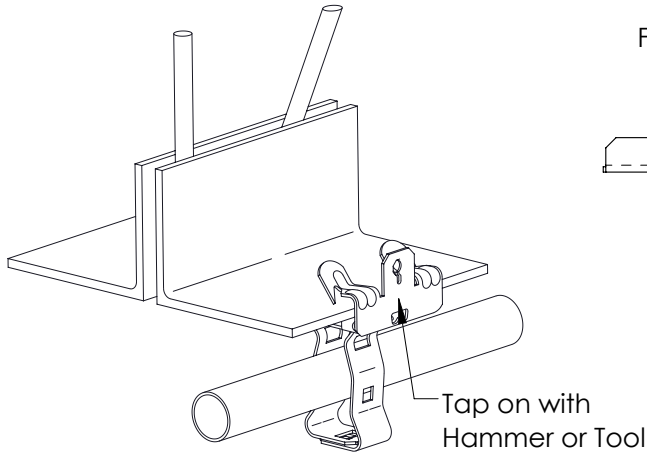
CFS125_M

1 OF 3

© 1998-2021 nVent All Rights Reserved



Bottom Mount Hammer-On Flange Clip

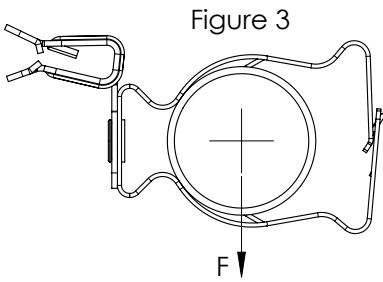


When fastening a screw into the Bottom Mount Hammer-On Flange Clip, the screw shall not exceed 3/8" [9.5 mm] from the inside cavity of the clip to the flange

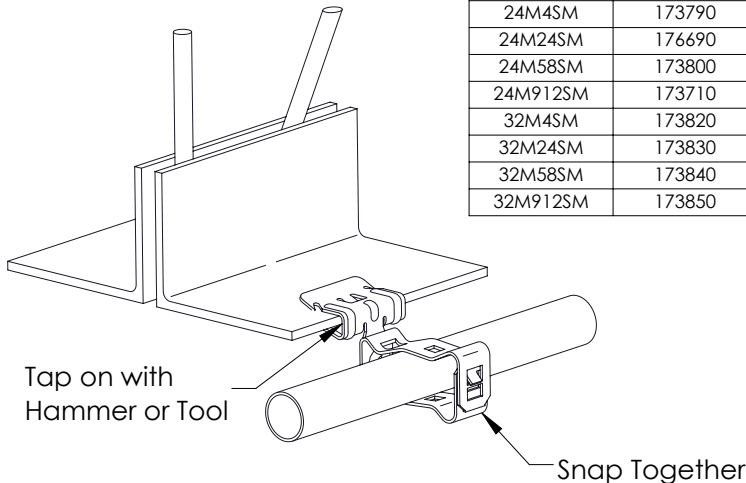
Indicated Loads are Static Load Limits and should not be combined

Global Part Number	Local Part Number	Figure No.	Flange Thickness (in [mm])	Static Load Rating (lb [N])		
				F1	F2	F3
M24	N/A	1	1/8" [3] - 1/4" [8]	100 [445]	75 [334]	25 [111]
EM24	170050					
M58	N/A					
EM58	170060					
M912	N/A					
EM912	170070					
M1318	N/A	2	1/8" [3] - 1/4" [8]	100 [445]	75 [334]	25 [111]
EM1318	170075					
M24S	N/A					
EM24SM	170530					
EM24SM16	160440					
M58S	N/A					
EM58SM	172060					
EM58SM16	160450	2	5/16" [8] - 1/2" [14]	100 [445]	75 [334]	25 [111]
M912S	N/A					
EM912SM	171850					
EM912SM16	160460					
M1318S	N/A					
EM1318SM	171855					

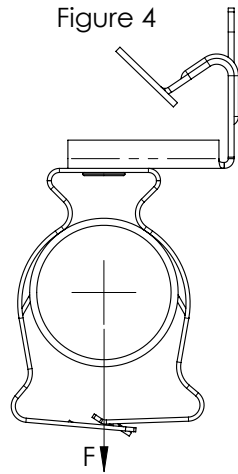
Side Mount Hammer-On Flange Clip with Conduit Clip



Global Part Number	Local Part Number	Figure No.	Description	Static Load Rating (lb [N])
6M4SM	173630	3	3/8" [10] conduit to 5/64" [2] - 1/8" [3] flange	25 [111]
6M24SM	173640		3/8" [10] conduit to 1/8" [3] - 1/4" [8] flange	
6M58SM	171980		3/8" [10] conduit to 5/16" [8] - 1/2" [14] flange	
6M912SM	173650		3/8" [10] conduit to 9/16" [14] - 3/4" [20] flange	
16M4SM	173710		3/4" [19] - 1" [25] conduit to 5/64" [2] - 1/8" [3] flange	
16M24SM	173720		3/4" [19] - 1" [25] conduit to 1/8" [3] - 1/4" [8] flange	
16M58SM	173730		3/4" [19] - 1" [25] conduit to 5/16" [8] - 1/2" [14] flange	
16M912SM	173740		3/4" [19] - 1" [25] conduit to 9/16" [14] - 3/4" [20] flange	
20M4SM	173750		1-1/4" [32] conduit to 5/64" [2] - 1/8" [3] flange	
20M24SM	171720		1-1/4" [32] conduit to 1/8" [3] - 1/4" [8] flange	
20M58SM	173770		1-1/4" [32] conduit to 5/16" [8] - 1/2" [14] flange	
20M912SM	173780		1-1/4" [32] conduit to 9/16" [14] - 3/4" [20] flange	
24M4SM	173790		1-1/2" [38] conduit to 5/64" [2] - 1/8" [3] flange	
24M24SM	176690		1-1/2" [38] conduit to 1/8" [3] - 1/4" [8] flange	
24M58SM	173800		1-1/2" [38] conduit to 5/16" [8] - 1/2" [14] flange	
24M912SM	173710		1-1/2" [38] conduit to 9/16" [14] - 3/4" [20] flange	
32M4SM	173820		2" [51] conduit to 5/64" [2] - 1/8" [3] flange	
32M24SM	173830		2" [51] conduit to 1/8" [3] - 1/4" [8] flange	
32M58SM	173840		2" [51] conduit to 5/16" [8] - 1/2" [13] flange	
32M912SM	173850		2" [51] conduit to 9/16" [14] - 3/4" [19] flange	

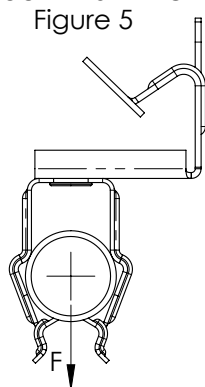


Bottom Mount Hammer-On Flange Clip with Conduit Clip



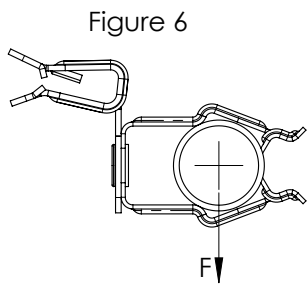
Global Part Number	Local Part Number	Figure No.	Description	Static Load Rating (lb [N])
6M24	N/A	4	3/8" [10] conduit to 1/8" [3] - 1/4" [8] flange	75 [334]
6EM24	173550			
6M58	N/A			
6EM58	171750			
6M912	N/A			
6EM912	173560			
16M24	N/A			
16EM24	171740			
16M58	N/A			
16EM58	171490			
16M912	N/A			
16EM912	173570			
16M1318	N/A			
16EM1318	173745			
20M24	N/A			
20EM24	171800			
20M58	N/A			
20EM58	171950			
20M912	N/A			
20EM912	173580			
24M24	N/A			
24EM24	171960			
24M58	N/A			
24EM58	171970			
24M912	N/A			
24EM912	173590			
32M24	N/A			
32EM24	173600			
32M58	N/A			
32EM58	173610			
32M912	N/A			
32EM912	173620			

Bottom Mount Hammer-On Flange Clip with Push Clip



Global Part Number	Local Part Number	Figure No.	Description	Ultimate Static Load Rating (lb [N])
8P24	172150	5	1/2" [13] conduit to 1/8" [3] - 1/4" [8] flange	25 [111]
8P58	172160		1/2" [13] conduit to 5/16" [8] - 1/2" [14] flange	
8P912	175100		1/2" [13] conduit to 9/16" [14] - 3/4" [20] flange	
12P24	175110		3/4" [19] conduit to 1/8" [3] - 1/4" [8] flange	
12P58	175120		3/4" [19] conduit to 5/16" [8] - 1/2" [14] flange	
12P912	175130		3/4" [19] conduit to 9/16" [14] - 3/4" [20] flange	
16P24	175140		1" [25] conduit to 1/8" [3] - 1/4" [8] flange	
16P58	175150		1" [25] conduit to 5/16" [8] - 1/2" [14] flange	
16P912	175160		1" [25] conduit to 9/16" [14] - 3/4" [20] flange	

Side Mount Hammer-On Flange Clip with Push Clip



Global Part Number	Local Part Number	Figure No.	Description	Ultimate Static Load Rating (lb [N])
8P4SM	175170	6	1/2" [13] conduit to 3/32" [2] - 1/8" [3] flange	25 [111]
8P24SM	175180		1/2" [13] conduit to 1/8" [3] - 1/4" [8] flange	
8P58SM	175190		1/2" [13] conduit to 5/16" [8] - 1/2" [14] flange	
8P912SM	175200		1/2" [13] conduit to 9/16" [14] - 3/4" [20] flange	
12P4SM	175210		3/4" [19] conduit to 3/32" [2] - 1/8" [3] flange	
12P24SM	175220		3/4" [19] conduit to 1/8" [3] - 1/4" [8] flange	
12P58SM	175230		3/4" [19] conduit to 5/16" [8] - 1/2" [14] flange	
12P912SM	175240		3/4" [19] conduit to 9/16" [14] - 3/4" [20] flange	
16P4SM	175250		1" [25] conduit to 3/32" [2] - 1/8" [3] flange	
16P24SM	175260		1" [25] conduit to 1/8" [3] - 1/4" [8] flange	
16P58SM	175270		1" [25] conduit to 5/16" [8] - 1/2" [14] flange	
16P912SM	175280		1" [25] conduit to 9/16" [14] - 3/4" [20] flange	