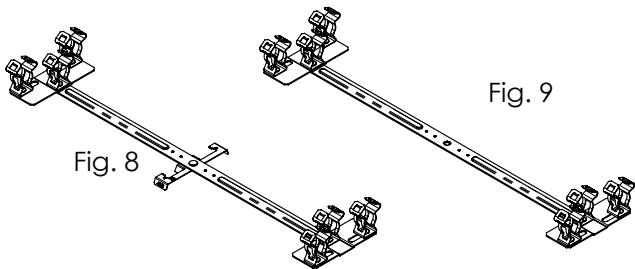
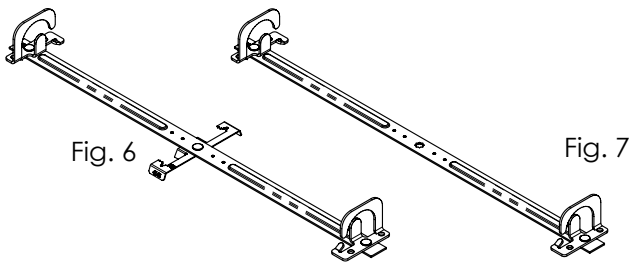
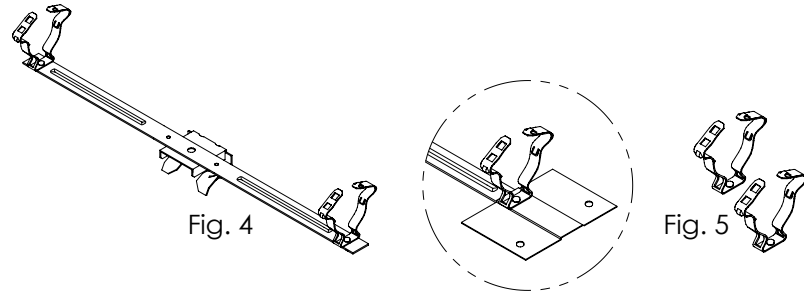
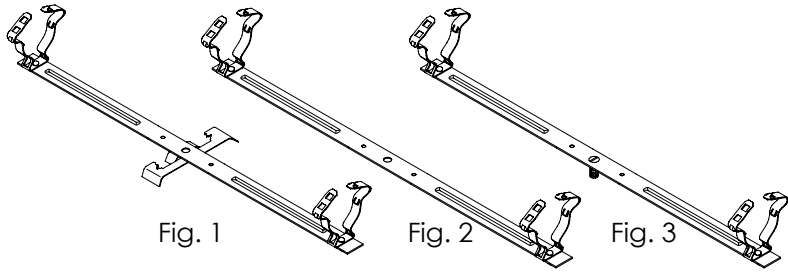


B18 Series Combination Box and/or Conduit/Cable Hangers from Drop Wire/Rod and Beam



Sizing Chart			
Global Part Number	Fig.	Conduit/Cable	Installation Attachment
6MB18	1	MC/AC	#12 Wire - 1/4" [6] Plain or Threaded Rod 1/8" [3] - 3/8" [9] Flange.
812MB18	1	1/2" [13] - 3/4" [19]	
16MB18	1	3/4" [19] - 1" [25]	
MCS50B18	6	MC/AC	
MCS100B18	6	MC/AC	
6M3B18CO	8	MC/AC	
6MB186	1	MC/AC	5/16" [8] - 3/8" [9] Plain or Threaded Rod 3/8" [9] - 7/16" [11] Flange
812MB186	1	1/2" [13] - 3/4" [19]	
16MB186	1	3/4" [19] - 1" [25]	
812MB188Z	1	1/2" [13] - 3/4" [19]	1/2" [13] and 5/8" [16] Threaded Rod
6MB1824	4	MC/AC	1/8" [3] - 1/4" [6] Flange
812MB1824	4	1/2" [13] - 3/4" [19]	
16MB1824	4	3/4" [19] - 1" [25]	
6MB1858	4	MC/AC	5/16" [8] - 1/2" [13] Flange
812MB1858	4	1/2" [13] - 3/4" [19]	
16MB1858	4	3/4" [19] - 1" [25]	
812MB18912	4	1/2" [13] - 3/4" [19]	9/16" [14] - 3/4" [19] Flange
6MB18A	2	MC/AC	1/4" [6] Center Hole for Screw or Threaded Rod
812MB18A	2	1/2" [13] - 3/4" [19]	
16MB18A	2	3/4" [19] - 1" [25]	
MCS50B18A	7	MC/AC	
6M3B18ACO	9	MC/AC	
812MB18S	3	1/2" [13] - 3/4" [19]	1/4-20 x 5/8" [16] stud.
*(XXX)CO	5	Factory riveted assembly for multiple conduit clips, mounting plate and oneclip, factory riveted. Additional conduit clips ordered seperately.	

* To order with B18CO, add the suffix "CO" to the above part number. Additional conduit clips with thread impression use the 4I extension. (EX. 812M4I)

Note:

1. May require dedicated drop wire/rod - consult local authority.
2. Product intended for single and multiple runs of conduit. For single runs, extra leg may be bent or removed if needed.
3. When mounting box to B18 Bar and using screws, such as nVent CADDY SMS8, two screws are required. When supporting the nVent CADDY B18 series with threaded rod going through both the B18 and the box, this single support is appropriate. Additional screws are not necessary.

WARNING:

1. nVent products shall be installed and used only as indicated in nVent product instruction sheets and training materials. Instruction sheets are available at www.nVent.com and from your nVent customer service representative.
2. nVent products must never be used for a purpose other than the purpose for which they were designed or in a manner that exceeds specified load ratings.
3. All instructions must be completely followed to ensure proper and safe installation and performance.
4. Improper installation, misuse, misapplication or other failure to completely follow nVent's instructions and warnings may cause product malfunction, property damage, serious bodily injury and/or death, and void your warranty.
5. Products that are manufactured using spring steel components shall be used only in a non-corrosive indoor environment.
6. All pipe supports, hangers, intermediate components and structural attachments must ONLY be used as described herein and are NEVER to be used for any other purpose.

NOTE: All load ratings are for static conditions and do not account for dynamic loading such as wind, water or seismic loads, unless otherwise noted.

The customer is responsible for:

- a. Conformance to all governing codes.
- b. The integrity of structures to which the products are attached, including their capability of safely accepting the loads imposed, as evaluated by a qualified engineer.
- c. Using appropriate industry standard hardware as noted above.

SAFETY INSTRUCTIONS:

All governing codes and regulations and those required by the job site must be observed. Always use appropriate safety equipment such as eye protection, hard hat, and gloves as appropriate to the application.

nVent, nVent CADDY, nVent ERICO Cadweld, nVent ERICO Critec, nVent ERICO, nVent ERIFLEX, and nVent LENTON are owned by nVent or its global affiliates. All other trademarks are the property of their respective owners. nVent reserves the right to change specifications without prior notice.

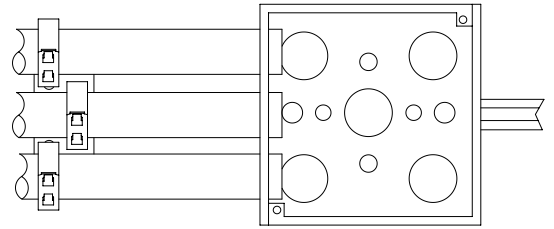
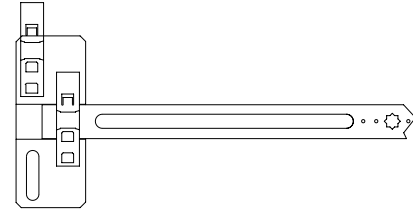
B18 Series

Combination Box and/or Conduit/Cable Hangers from Drop Wire/Rod and Beam

Multiple conduit/cable assembly

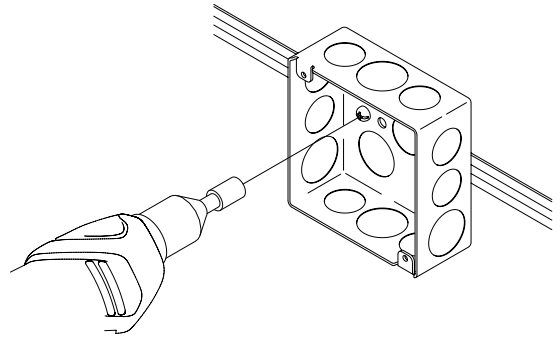
To add additional conduit clips, position the additional clip over the slot on the B18CO. Secure with screw part number S3575BP50 (1/4-20 x 3/8" [10] round head).

Conduit clips can slide within the slots to position them with the knockouts in the electrical box.

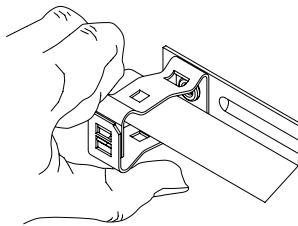


Attaching B18 series assembly to box

Attach box with two self tapping screws (SMS8) using the mounting holes on B18.

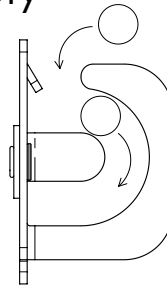


Attaching cable/conduit to B18 series assembly



For conduit/cable installation into 6M, 812M and 16M clips.

After conduit/cable is installed into box, snap clips closed around conduit/cable.



For cable installation into MCS50 and MCS100.

Insert cables into opening as shown then slide cables around the "U".

MCS50 holds approximately 4 cables (ϕ 0.430 [10.92] through ϕ 0.560 [14.22])

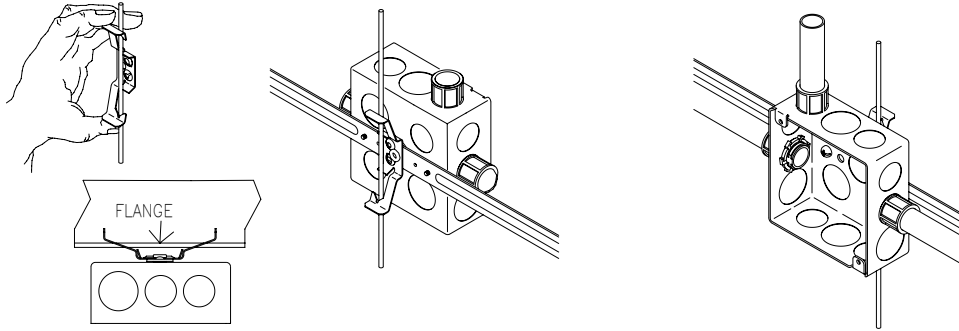
MCS100 holds approximately 8 cables.

B18 Series Combination Box and/or Conduit/Cable Hangers from Drop Wire/Rod and Beam

Installation attachment:
Drop wire or flange
(see sizing chart on page 1)

Part Number

- 6MB18
- 812MB18
- 16NB18
- MCS50B18
- MCS100B18
- 6M3B18CO
- 6MB186
- 812MB186
- 16MB186
- 812MB188Z



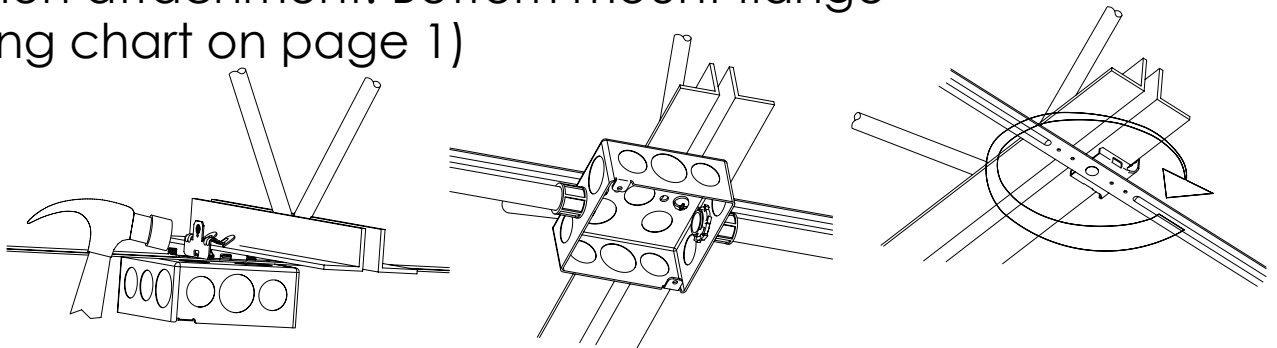
1) Squeeze fastener and connect top edge over wire, rod or onto flange edge. Twist into place and squeeze.

2) Install conduit/cable in box.

Installation attachment: Bottom mount flange (see sizing chart on page 1)

Part Number

- 6MB1824
- 812MB1824
- 16MB1824
- 6MB1824
- 812MB1858
- 16MB1858
- 812MB18912



1) With Hammer, tap clamp onto flange.

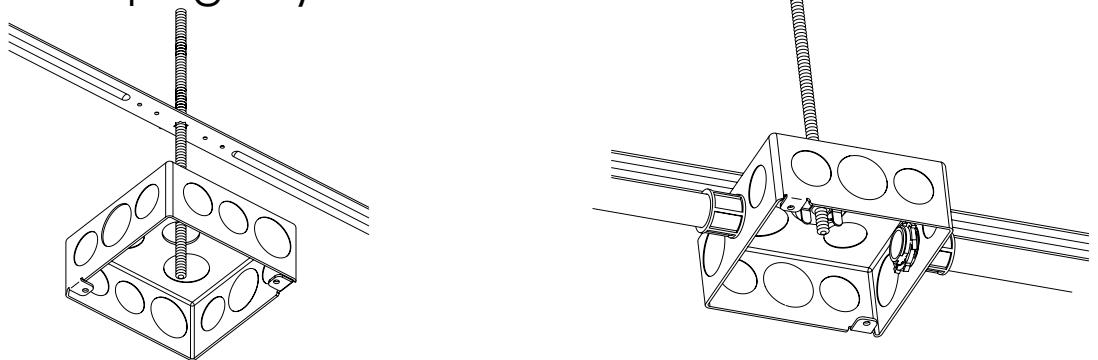
2) Install conduit/cable in box.

Single swivel rotates 360°

Installation attachment: Screw or threaded rod (see sizing chart on page 1)

Part Number

- 6MB18A
- 812MB18A
- 16MB18A
- MCS50B18A
- 6M3B18ACO
- 812MB18S



1) Insert threaded rod or screw through the center hole of the box and B18 series hanger as shown.

2) Install conduit/cable into the box.

Threaded rod needs a nut and washer placed against the box and B18 series hanger to secure them.

When a screw or stud is used, a nut is only needed on the side opposite of the screw head to secure the assembly.

B18 Series Combination Box and/or Conduit/Cable Hangers from Drop Wire/Rod and Beam

Additional B18 series applications

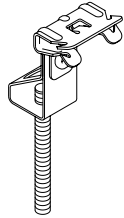
Sizing Chart		
Part Number	Fig.	Description
4WN	1	1/4" [6] Threaded rod to 1/8" [3] through 1/4" [6] flange
4TI24	2	1/4" [6] Threaded rod to 5/16" [8] through 1/4" [6] flange
4TI58	2	1/4" [6] Threaded rod to 5/16" [8] through 1/2" [13] flange
4TI912	2	1/4" [6] Threaded rod to 9/16" [14] through 3/4" [19] flange
6TI24	2	3/8" [10] Threaded rod to 5/16" [8] through 1/4" [6] flange
6TI58	2	3/8" [10] Threaded rod to 5/16" [8] through 1/2" [13] flange
6TI912	2	3/8" [10] Threaded rod to 9/16" [14] through 3/4" [19] flange

Fig. 1



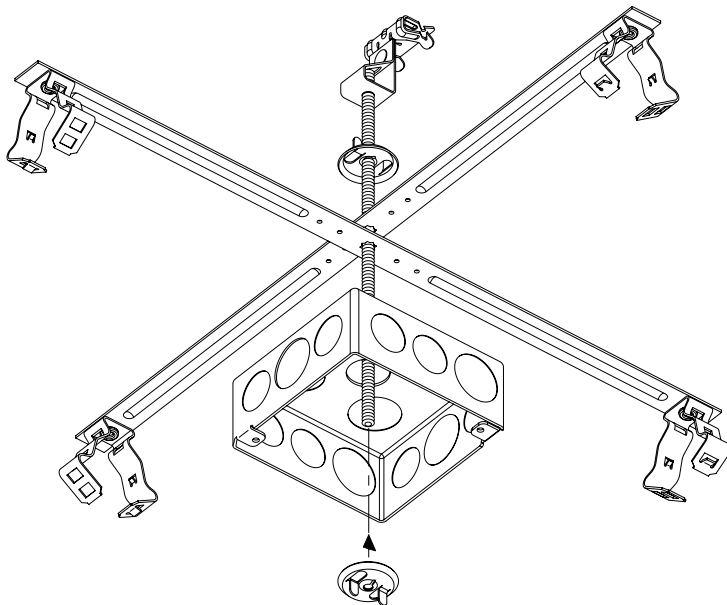
4WN

Fig. 2



Threaded Rod Hangers

Assemble as shown using B18 series hangers with additional products listed in sizing chart on this page.



This installation allows either 2 or 4 runs of conduit to box. Determine your needs and push either 1 or 2 plain center hole B18 assemblies onto rod.

