

Individual Spec Sheet

CIRKA

ROUND LED CEILING LUMINAIRE

3 CCT Selectable
Slim & Lightweight

ORDERING INFORMATION

Order code: 68715
Model number: CRK9-R18W-A-3CWH
UPC: 069549018662
Case quantity: 20

PHYSICAL DATA

Dimensions in (mm): 9"(225)
Lens finish: Frosted
Housing material: PC
Housing finish: White
Mounting: Surface

PERFORMANCE DATA

Watts (W): 18
Volts (VAC): 120
Colour temperature (K)¹: 3 000/4 000/5 000
Lumen output (lm)²: 1 260
Efficiency (lm/W): 70
CRI: 80
Life L70 (h)³: 50 000
Dimming : Yes
Power factor: 0.9
THD (%): < 40
Frequency (Hz): 60
Operating temp. range: -10° C to 45° C (14 °F to 113 °F)

¹ Typical colour temperature range: +/- 5 %

² Lumen values are derived from Energy Star reported data. Please refer to Lumen Specification Table for more details on other color temperatures.

³ Life hours are derived from IESNA LM80-08 testing report and projected per IESNA TM-21-11 extrapolations

LUMEN SPECIFICATION TABLE

Model number	3 000 K		4 000 K		5 000 K	
	Lumens (lm)	Efficiency (lm/W)	Lumens (lm)	Efficiency (lm/W)	Lumens (lm)	Efficiency (lm/W)
CRK9-R18W-A-3CWH	1 227	68	1 363	76	1 227	68

Default programming: 3 000 K

COMPATIBLE ACCESSORIES

Order code	Type	Case qty (master)
RNG-TRM09-BN	9" Brushed Nickel trim	20
68901	9" Matte Black trim	20
68902	9" Polished Chrome trim	20
RNG-TRM09-BRG	9" Brushed Rose Gold trim	20
RNG-TRM09-BB	9" Brushed Bronze trim	20



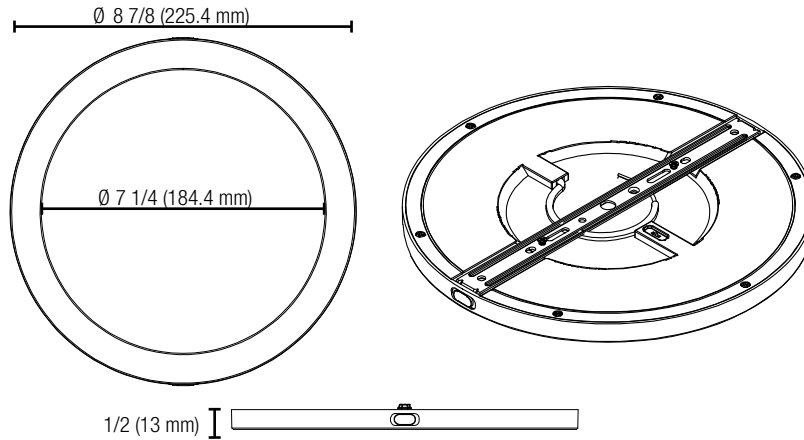
This lighting equipment complies with Canadian standard ICES-005 for use in residential applications. Data is based upon tests performed in a controlled environment. Actual performance can vary depending on operating conditions. Specifications are subject to change without notice.

COMPATIBLE DIMMERS

Brand	Model
LUTRON	PD-5NE, PD-6WCL, DVCL-153P, CTCL-153P, DVCL-253P, AYCL-253P, DVRP-253-WH, SELV-300P, MACL-153P, RRD-6NA-WH
COOPER	AAL06, SLC03P
LEVITON	066EV, IPL06, 6674, DSL06-1ZL, IPE04-1LZ

NOTE: The above table shows dimmers that have been tested and have demonstrated proper operation under normal conditions. Each installation being unique, various factors such as load, common neutrals or other electrical products on the circuit can, in certain instances, cause variance in system performance. Read and comply to the dimmer installation instructions. Consult dimming system manufacturer for additional support in operation. Stanpro recommends to use dimmers designed to work with LED products. Older dimmers designed for incandescent products may cause erratic operation. Some dimmers may require more than one product for stable operation. The maximum number of products is determined by the dimmer wattage rating with LEDs. Be careful, these dimmers have different ratings depending on the product type. Again, refer to the dimmer installation instructions.

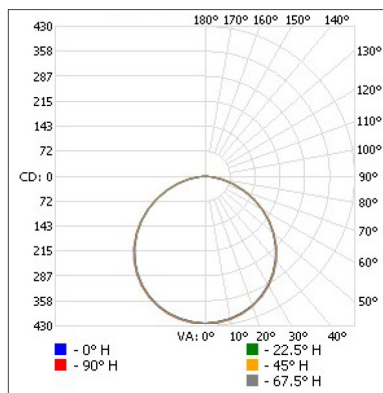
DIMENSIONS



PHOTOMETRIC DATA¹

68715 • CRK9-R18W-A-3CWH • 3 000 K • 1 226 lm

Polar candela distribution



Zonal lumen summary

Zone	Lumens	% Fixture
0-30	330.3	27
0-40	543.0	44.3
0-60	964.5	78.7
60-90	260.9	21.3
0-90	1 225.4	100

Illuminance at a distance

Center beam fc		Beam width	
1.7'	146	5.2'	5.3'
3.3'	38.8	10.0'	10.3'
5.0'	16.9	15.2'	15.5'
6.7'	9.40	20.4'	20.7'
8.3'	6.13	25.2'	25.7'
10.0'	4.22	30.4'	30.9'

■ Vert. spread: 113.3°
■ Horiz. spread: 114.2°

¹ Complete IES files available on our website.

Qty	Description	Price

I accept the specifications of the luminaire configuration mentioned above.

Name: _____
 Company: _____
 Signature: _____

Date: _____

Data is based upon tests performed in a controlled environment. Actual performance can vary depending on operating conditions. All products are subject to change or may be discontinued any time without notice.