



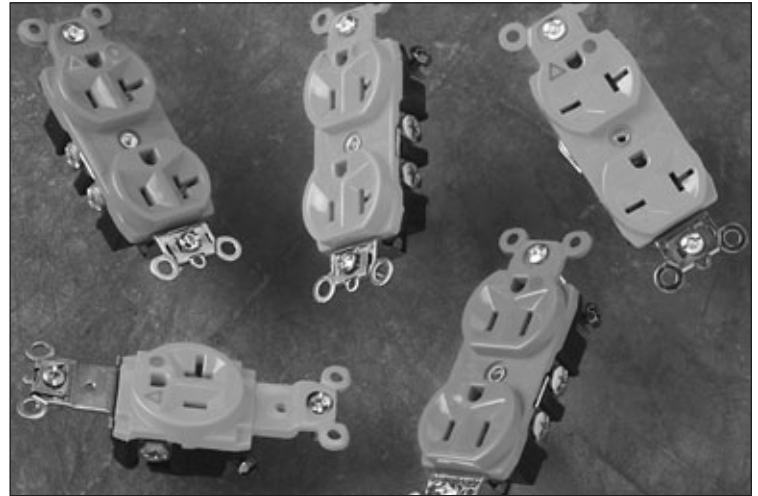
Pass & Seymour

# Hospital Grade Devices Heavy-Duty Receptacles IG 15 & 20A, 125V; 20A, 250V

IG8200, IG8300, IG8800, IG8301

## Endurance and value in isolated ground receptacles.

**H**ere is the same durable, easy-installing design as our Heavy-Duty Receptacles — but with isolated ground. They share our quick-wiring back or side wire design, which produces rock-solid electrical connections. And they also feature the same tri-drive terminal and mounting screws and impact-resistant nylon face.



### Features & Benefits

**IG symbol and molded-in "Isolated Ground" markings** for easy I.D. and circuit delineation.

**Triple-wipe brass contacts** ensure lasting, positive contact with plug blades.

**Plastic barrier isolates grounding terminal** from mounting strap and metal boxes.

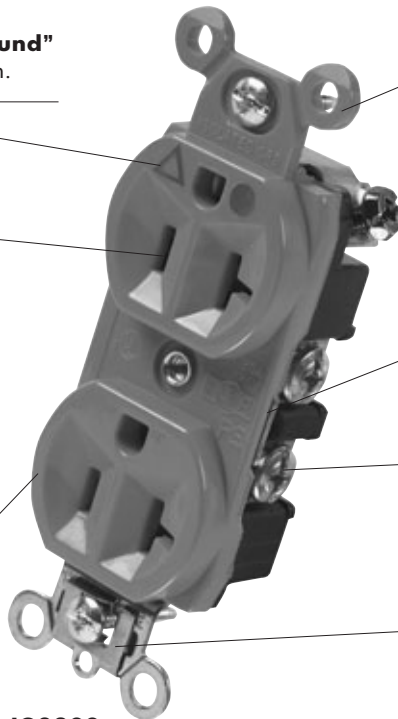
**High-impact resistant nylon face** resists impacts and scrapes.

**Nylon strap on top** eliminates potential contact with isolated ground.

**Easily accessed break-off, line-contact connecting tab** for fast, easy split-circuit wiring.

**Side and internal screw-pressure-plate back wire capability** with #14 – #10 AWG copper or copper-clad, solid or stranded wire.

**Auto-ground** eliminates the necessity to terminate grounding conductor to device.



IG8300

### Field Uses/Vertical Markets

■ Health Care

■ Education

■ Institutional



Pass & Seymour

# Hospital Grade Devices Heavy-Duty Receptacles IG 15 & 20A, 125V; 20A, 250V

## Ordering Information

Catalog Number	Rating A. V.	Color	NEMA Config. No.
<b>Hospital Grade Isolated Ground Duplex Receptacles Back &amp; Side Wire</b>			
IG8200	15 125	Orange	5-15R
IG8200-RED	15 125	Red	5-15R
IG8300	20 125	Orange	5-20R
IG8300-RED	20 125	Red	5-20R
IG8800	20 250	Orange	6-20R
<b>Hospital Grade Isolated Ground Single Receptacles Back &amp; Side Wire</b>			
IG8301	20 125	Orange	5-20R



NEMA  
5-15R



NEMA  
5-20R



NEMA  
6-20R

For more information on these and other P&S products refer to our Product Guide or visit our web site.

SF712R1 — Updated January 2004 — For latest specs visit [www.legrand.us/passandseymour](http://www.legrand.us/passandseymour)

# Hospital Grade Devices Heavy-Duty Receptacles IG 15 & 20A, 125V; 20A, 250V



Pass & Seymour

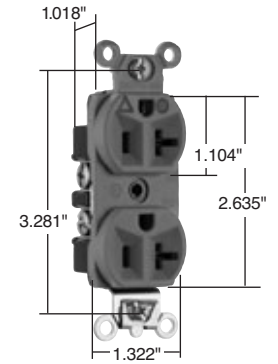
## Technical Specifications

3rd Party Compliance	
UL Listed, File Number E140596, Standard UL498.	
Federal Specification WC596, Hospital Grade.	
CSA Certified, File Number LR16063, Standard CSA-C22.2 No. 42.	

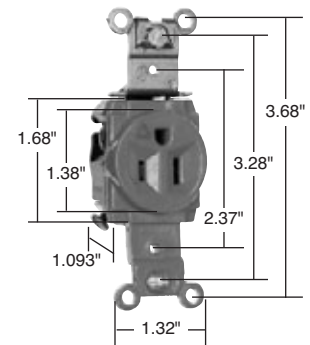
Performance	
<b>Electrical</b>	
Dielectric Voltage	Withstands 2000V minimum
Maximum Working Voltage	250V
Current Interrupting	Certified for current interrupting at full-rated current
Temperature Rise	Max 30°C temperature rise at full-rated current after 50 cycles of overload at 150% of rated current with direct current
<b>Mechanical</b>	
Terminal Identification	Terminal Identification in accordance with UL498 (Brass, White, Green)
Terminal Accommodation	#14 AWG – #10 AWG copper conductor only
Product Identification	Ratings are a permanent part of the device
<b>Environmental</b>	
Flammability	UL94 V2
Operating Temperature	Maximum continuous +60°C, minimum -40° (without impact)

Materials			
Face	Nylon	Ground Screw	#8 Hex Tri-Drive Steel
Back Body	PVC	Assembly Drive Screw	Zinc-Plated Steel
Line Contacts	.032 688 Brass	Auto-Ground Clip	Steel
Mounting Strap	.042 Zinc-Plated Steel	Mounting Screws	Tri-Drive Steel
Ground Contacts	.040 260 Brass	Plate Mounting Slug	Brass
Pressure Plate	.080 Steel	Jumper Strap	Brass
Terminal Screws	#8 Tri-Drive Steel		

**Warranty**  
1 Year



**Dimensions for  
15 & 20 Amp**



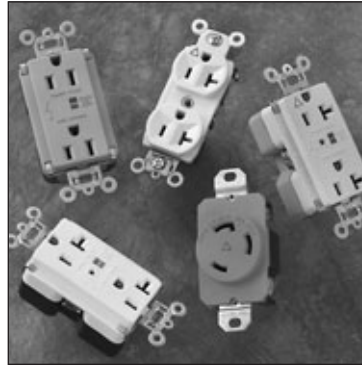
**Dimensions for  
20 Amp Single**

## Complimentary Devices & Accessories



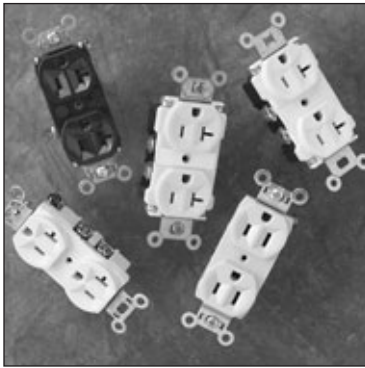
### HOSPITAL GRADE DEVICES

- Receptacles, Tamper-Resistant, Decorator
- GFCIs
- TVSS
- Isolated Ground
- Plugs & Connectors



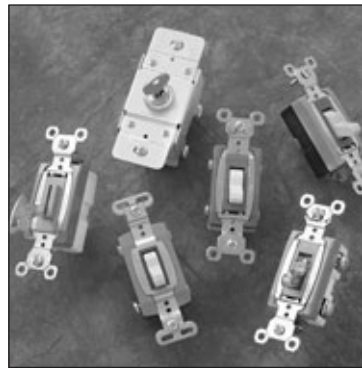
### TVSS & ISOLATED GROUND DEVICES

- Construction Grade Isolated Ground
- Heavy-Duty Turnlok® Isolated Ground
- Heavy-Duty Isolated Ground TVSS
- Heavy-Duty TVSS
- Construction Grade TVSS



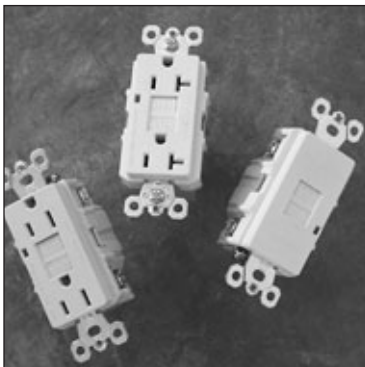
### STRAIGHT BLADE RECEPTACLES

- Extra Heavy-Duty
- Heavy-Duty
- Construction Grade
- Commercial Grade



### SWITCHES

- Heavy-Duty Toggle
- Heavy-Duty Lighted Toggle
- Heavy-Duty Security
- Heavy-Duty Locking
- Construction Grade Toggle
- Commercial Grade Toggle



### GFCIs

- Construction Grade with Auto-Ground
- Construction Grade
- Construction Grade Dead Front



### WALL PLATES

- TradeMaster® Thermoplastic Nylon
- Stainless Steel
- Brass
- Aluminum
- Dustproof Stainless Steel Covers

## Also available...

- Light Almond Devices
- Decorator Devices
- PlugTail™ Devices
- Ground Continuity Monitoring (GCM)
- Straight Blade Plugs & Connectors
- Turnlok® Locking Devices
- Weatherproof Boxes & Covers
- IEC 309 Industrial Products
- Flexcor® Wire Mesh Grips
- Configurable Solutions



**Legrand/Pass & Seymour**  
P.O. Box 4822  
Syracuse, NY 13221-4822  
800-223-4185

**North America Headquarters**  
60 Woodlawn Street  
West Hartford, CT 06110  
Phone: 1.877.BY.LEGRAND (295.3472)  
Fax: 1.860.232.2062  
www.legrand.us

**Legrand Canada**  
570 Applewood Crescent  
Vaughan, ON, L4K 4B4  
Phone: 905.738.9195  
Fax: 905.738.9721  
www.legrand.ca