

RHL373PW (wall plate not included)

Energy-saving dimming for CFL and LED loads.

RHL373PTC/RHL373PW

radiant® dimmers help save energy simply, and as part of the radiant collection, now offer a better fit, form and finish. Compatible with CFL/LED dimmable bulbs (with the exception of 0-10V LED drivers), these dimmers feature constant memory that returns lights to the previous level after a power failure for automatic control and convenience.

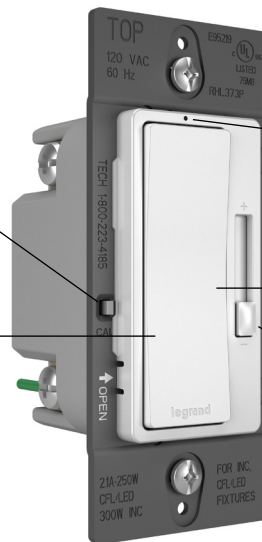
Ideal for all your residential and commercial applications requiring a SSL 7A compliant solution.

Features & Benefits

Adjustment button allows users to adjust the top and bottom of the dimming range.

Convenient operation: combines ON/OFF paddle switch with separate slider for dimming control.

No neutral required.



White LED glows when device is OFF to make dimmer easy to find in the dark.


Sleek, ergonomic design that matches today's styles.

Wider slide controller: for easier dimming operation.

RHL373PW

- **Preset, Single Pole and 3-Way operation.**
- Constant memory returns lights to previous level after a power failure.
- Compatible with CFL/LED dimmable bulbs (with the exception of 0-10V LED drivers).
- No de-rating required in multi-gang applications.
- **Interchangeable face plates** available in ten colors (RHKIT*; sold separately).
- SSL 7A Compliant for Title 24 requirements.

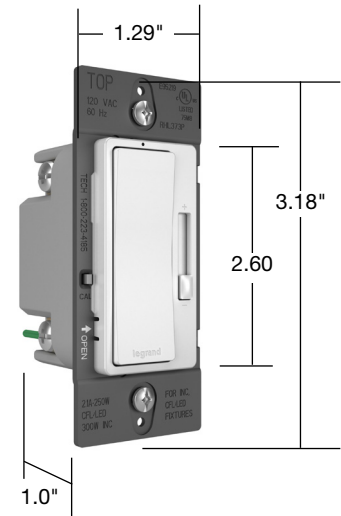
3rd Party Compliance

 cULus listed, UL1472, CSA, NEMA SSL 7A

Technical Information

Performance

Electrical	
Supply Voltage	120VAC
Ratings	250W CFL/LED; 300W Incandescent/Halogen
Frequency	60Hz
Installation	Single Pole or 3-Way
Environmental	
Application	Indoor Use Only
Mechanical	
Enclosure Material	Polycarbonate



RHL373PW

Warranty

Lifetime

Ordering Information

radiant® CFL/LED SSL 7A Dimmers

Catalog Number	Description	Color	Voltage	Rating
RHL373PTC	Preset, Single Pole and 3-Way	Three interchangeable Face Colors: Ivory, White, Light Almond	120VAC 60Hz	250W CFL/LED; 300W Incandescent/Halogen
RHL373PW	Preset, Single Pole and 3-Way	Face Color: White	120VAC 60Hz	250W CFL/LED; 300W Incandescent/Halogen
RHKIT		Brown		
RHKITBK		Black		
RHKITGRY		Gray		
RHKITI		Ivory		
RHKITLA	Interchangeable Faces	Light Almond		
RHKITNI		Nickel		
RHKITW		White		
RHKITDB		Dark Bronze		
RHKITG		Graphite		
RHKITRED		Red		




RHL373PTC

Vertical Markets

- Office
- Residential
- Multiple Dwelling
- Hospitality/Lodging

Also available in the radiant® collection

- GFCI Receptacles
- Tamper-Resistant and Standard Duplex Receptacles
- Paddle Switches
- Fan Controls
- Sensors
- Timers
- Home Automation Controls
- USB Charging Devices
- Night Lights
- Screwless Wall Plates

 The paper used to print this document is an environmentally responsible paper with 10% post consumer waste, with FSC and SFI Chain of Custody certifications, Lacey Act compliant. 100% of the electricity used to manufacture Flo sheets is generated with Green-e certified renewable energy.

All brand and product names referenced in this document are registered trademarks or trademarks of their respective holders.



Legrand, North America
60 Woodlawn Street
West Hartford, CT 06110
1.877.BY.LEGRAND (295.3472)
www.legrand.us
5905.738.9195
www.legrand.ca

